

Pro Single Drawer Cart (SKU18394)



SKIN+ACT

Toll Free: 1.800.418.0830

www.skinact.com
www.spaandequipment.com

International: 818.834.6640

NOTICE

No part of this document may be photocopied, reproduced, or translated into any other language without prior written consent of Spa and Equipment/SkinAct.

The information in this document is subject to change without notice at any time and should not be construed as a commitment by Spa and Equipment/SkinAct.

Spa and Equipment/SkinAct assumes no responsibility for any errors that may be in this document, nor does it make expressed or implied warranty with regard to this material, including, but not limited to, the implied warranties of merchantability and fitness for a particular purpose.

Spa and Equipment/SkinAct shall not be liable for incidental or consequential damages arising out of the furnishing, performance, or use of this document and the program material which it describes.

SKIN+ACT

Toll Free: 1.800.418.0830

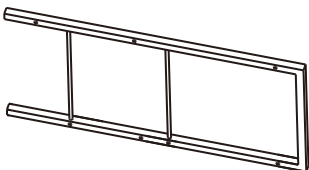


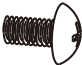

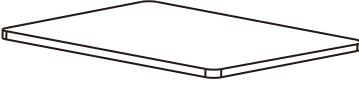


www.skinact.com
www.spaandequipment.com

International: 818.834.6640

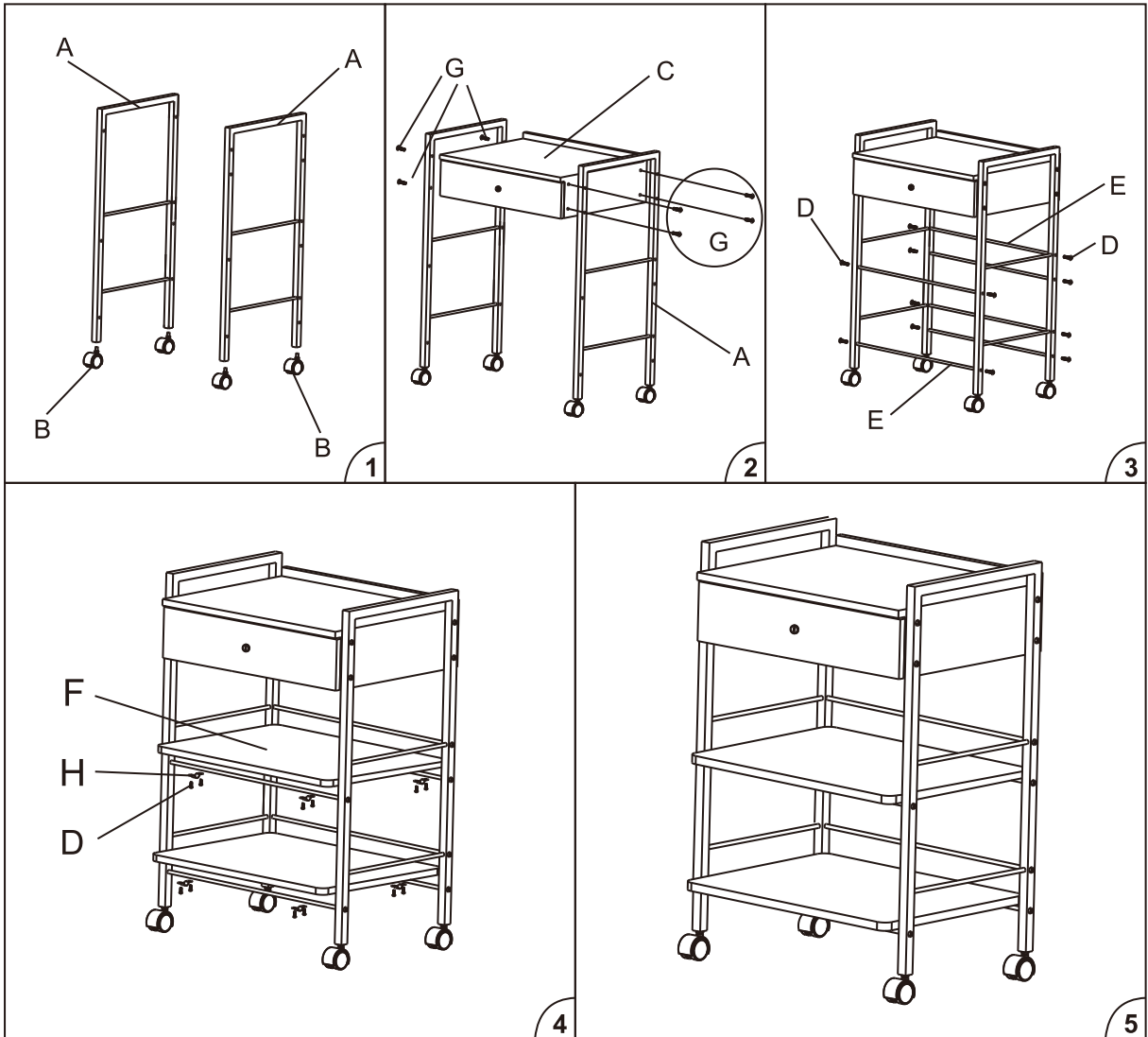
1. WARNING

- For the contents of the specification, since the product will constantly improve, the company shall have the right to make changes without prior notice. The illustrations or accessories in the manual may not be in conformity with the real thing, and the improvement or renewal is not subject to notice.
- Do not stand on this product.
- Do not allow children to play with and place the trolley out of reach of children.
- Do not place it in a humid place such as a bathroom or exposed to long-term sunlight.
- Unless someone responsible for their personal safety is present to monitor and guide the use, people with physical obstacles, tactile dysfunction, mental disorder, inexperienced, and lack of common sense or children should not use this product.
- This product should be placed on the flat ground.

2. COMPONENT

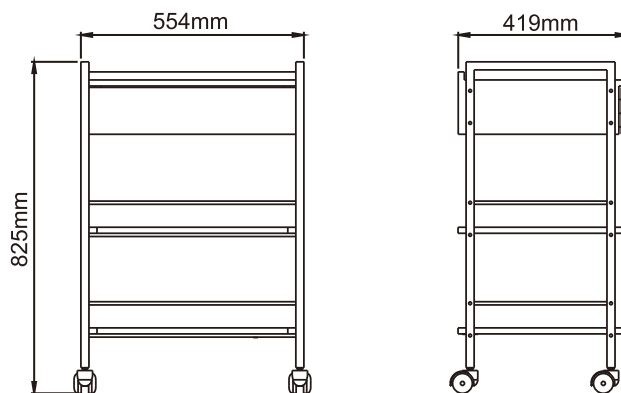
NO.	Name	Sample	Quantity
A	Side frame		2
B	Wheel		4
C	Wood cabinet		1
D	M6*12 screw		29
E	Circular tube		6
F	Layer board		2
G	M6*18 screw		9
H	Fixture		8

3. INSTALLATION



4. SPECIFICATION

Lifting Rated Load	30 kg
Package Size	790×470×315mm
Net Weight	17kg
Gross Weight	19kg



5. MAINTENANCE

- If there are oil stains, please clean the surface with clean water and an appropriate amount of neutral soap and wipe the surface with a soft cloth to remove dust and stains to prevent rust

6. CAUTIONS

- If the casters or drawer are damaged, please replace in time before use.



812977023896

Do not dispose of old or defective appliances in domestic garbage; this should only be done through public collection points.

▲ Please check the product specification before use. This manual is for reference only. Specifications are subject to change without prior notice.