

Cloud Electric Spa Treatment Table



SKIN+ACT

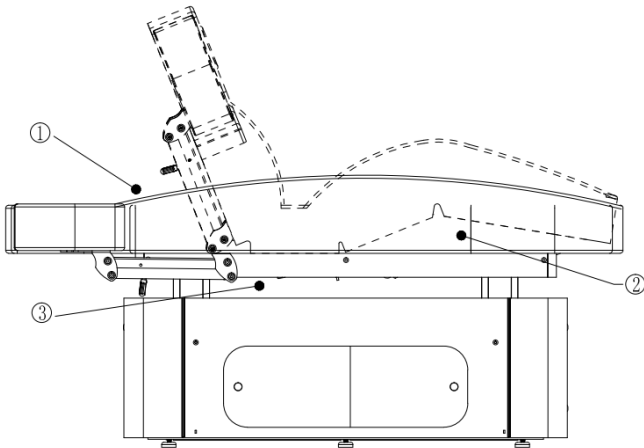
Toll Free: 1.800.418.0830

www.skinact.com
www.spaandequipment.com

International: 818.834.6640

The suggestive instructions

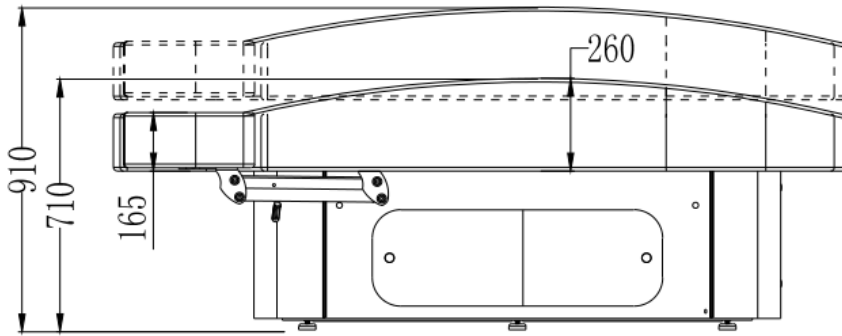
1. Before connection, operation and adjust the bed, please read and the user manual carefully.
2. This electric massage bed uses a three-wire power cable. Meanwhile it should be inserted into the three-hole outlet where there is a ground electrode. And it should be assured that it can be connected to the ground electrode smoothly so that it can prevent people from getting electric shock while functioning normally.
3. All the plugs, buttons and other components connected to the power cable must not dip in the water or other liquid.
4. It is forbidden to put your hands, feet, head or other part of the body into the gap as below position ①②③④⑤⑥ while massage chair is running during use function.
5. It is prohibited to use when plugs, buttons and other components connected to the power cable are broken.
6. It should be noticed that the frequency is 6min/h when the motor of this massage chair is used.
7. The maintenance should not be dealt with without official training.



Attentions

1. Children under 14 years old without any supervision and someone unconscious should not use this massage chair.
2. Breakages of the power cable and plug should be eliminated before it's normally used. Breakages should be dealt with by someone professionals or service providers.
3. The voltage should accord with the safety voltage before it's officially used. And the wrong voltage may lead to the breakdown of the product.
4. Wet hand is not allowed to touch power to avoid shock.
5. The product should not plug in before it's already installed.
6. The power cable should be put away so that pedestrian will not trip up and fall.
7. The appearance of the product should cleaned by the use of the soft towel with diluted neutral detergent.
8. It should be unplug when it's not used
9. Do not dismount this product without any authorization. Please inform the official service providers to deal with the Maintenance.

● specification :



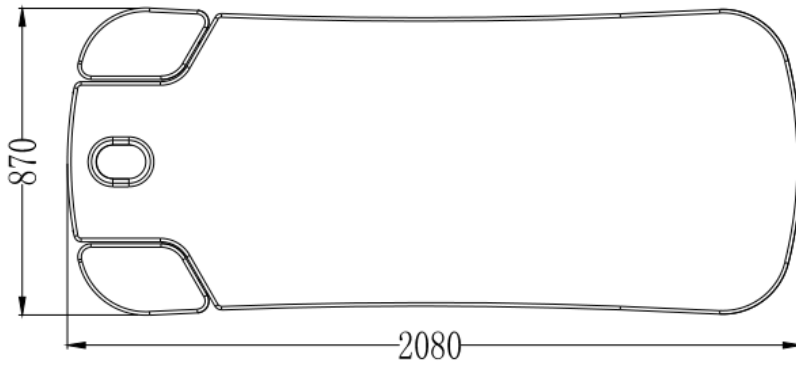
size:2080*870*710mm

Min : 710mm

Max: 910mm

Net weight: 158 kg

capacity: 200kg



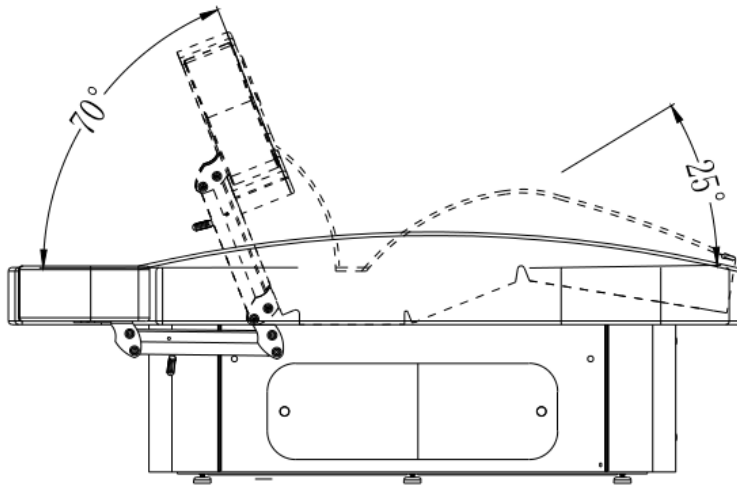
Filling materials: sponge

leather: PU/PVC

Input voltage:

AC100~130V/220~240V,

50/60Hz

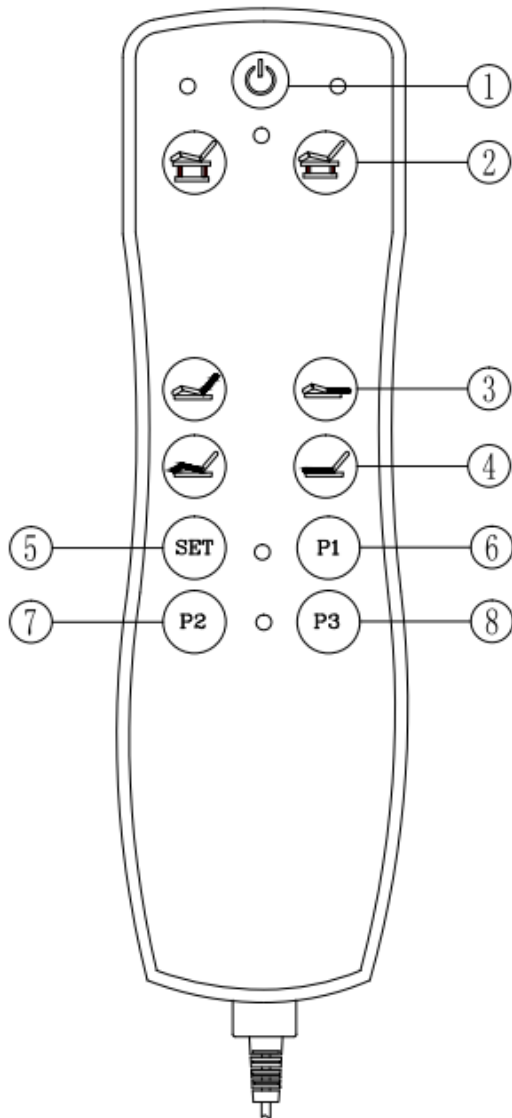


Output voltage:DC 24V




Power rate:160W



Use specification



●hand control as below show:







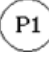


Hand control specification:

①button: turn on/off hand control,
 press  button, turn on hand control, press
 again  button, turn off hand control, bed
 back to original position,press
 again  button, bed stop recover.

②button: press  button, bed rise up,
 press  button, bed descend.

③button: press  or  button to adjust
 backrest incline angle

④button: press  or  button to adjust
 footrest incline angle

⑤⑥⑦⑧button:  for memory
 function,operate process:first set up position
 you want,then long press  start memory
 function, then press  or  or  memory
 condition,can set 3 kinds different memory
 state

● use method:

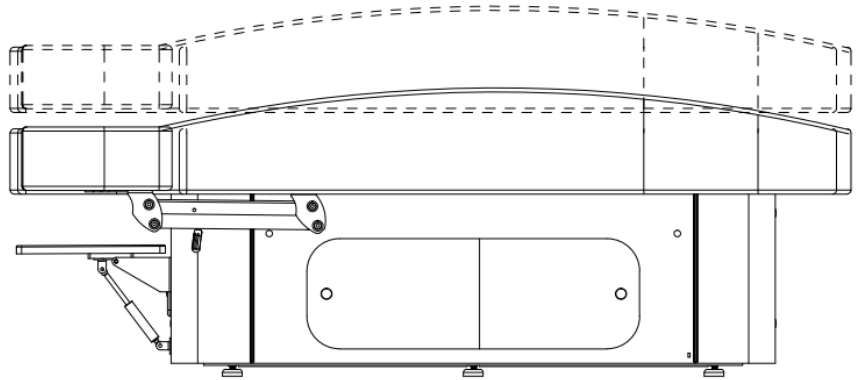
● high adjustment:

Turn on hand control,


press  bed rise


up, press 

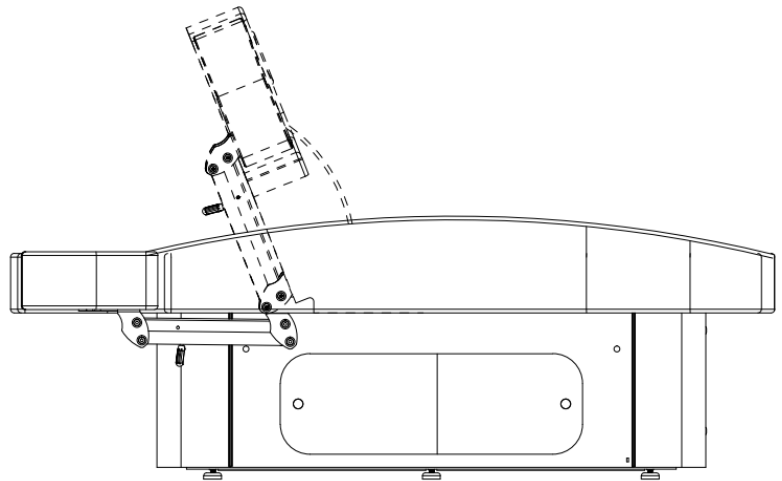
button, bed descend




● backrest adjust


press  button, backrest
incline angle rise

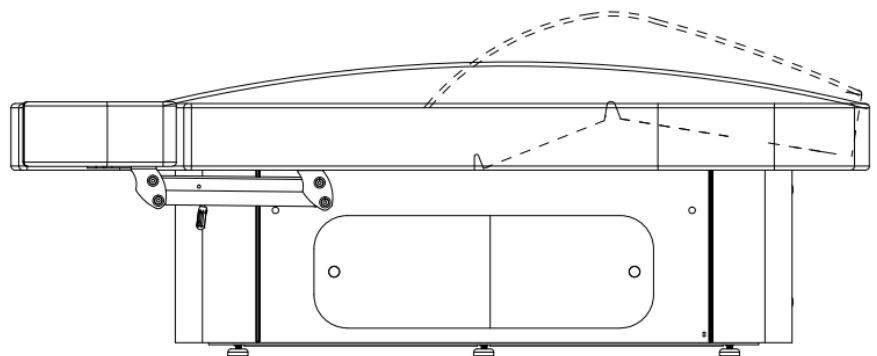
up, press  button, reduce
backrest incline angle.



● footrest adjust

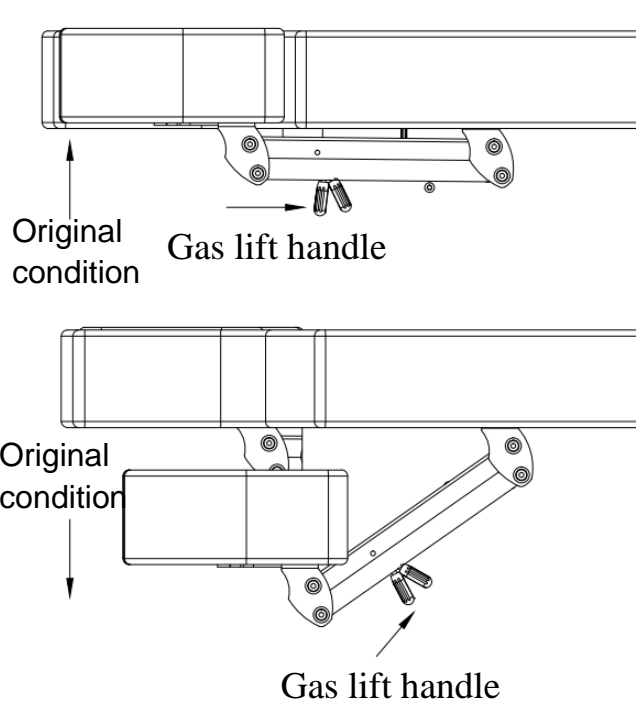
press  button,
footrest incline
angle rise

up, press  button,
reduce footrest
incline angle.



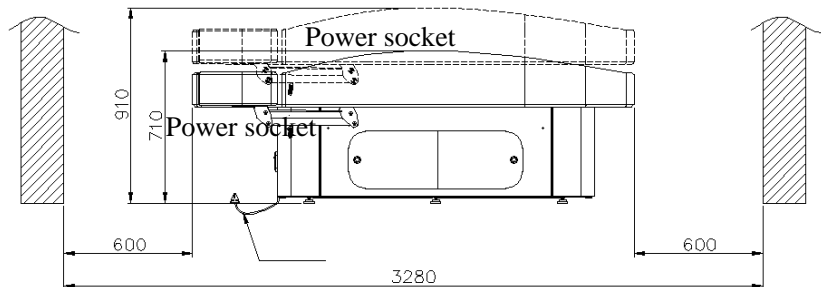
● **armrest adjust**

Press down the gas lift in the arrow direction and not release the hand, meanwhile slightly press down the armrest can adjust its angle, otherwise it will recover, as picture:



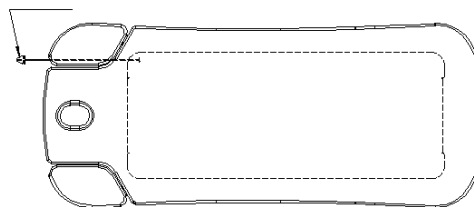
● **power socket position**

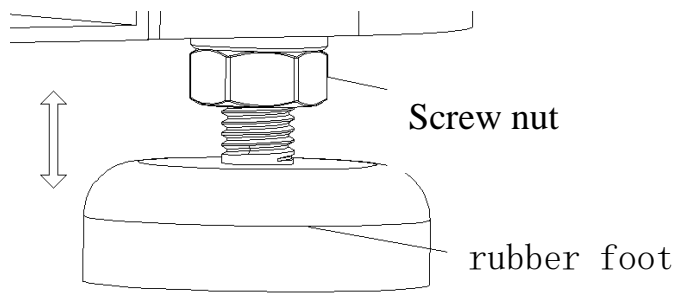
as picture:



● **rubber foot adjust:**

Rotate and adjust height of rubber foot can solve some uneven ground condition, after adjust the height, tighten and fix it upward with the nut, as picture show:





Maintenance

1. Daily cleaning
You can wipe out the dust by using soft dry towel.
2. Eliminating the stubborn dirt
As we all know, it is hard to eliminate the stubborn dirt by using normal dry towel. In this case, you can use soft towel with diluted neutral detergent to clean it first. And then you can use dry towel to scrub.
3. It's prohibited to use benzene, diluent, gasoline or other solvent.
These solvents may damage the leather or it may cause the corrosion of the products' appearance.
4. Storage and operating environment
Don't put the product under the strong sunlight and moisture environment. Otherwise it may cause the damages of the product.
5. It is allowed to use this product under the temperature from -5°C to 50°C and the humidity from 45% to 85%.

Fault diagnosis:

If there is something wrong when you use the product, please try to check and eliminate the wrong operation as followings.:

Phenomenon	Diagnosis	Operation of elimination
Press the pedal but without any responses.	<ol style="list-style-type: none"> 1. Controller power switch start or not. 2. To check if the pedal has reached to maximum. 3. To check if the power plug is connected. 4. To check if each connecting plug of the transformer is connected. 	<ol style="list-style-type: none"> 1. Try to re-start the controller power switch. 2. Try other buttons workable or not. 3. Disconnect the power plug and re-plug it again. 4. Re-plug and connect it again.
Letting out noises and shaking while going up and down	Screw loosen	Tighten all the screws
The light is still off	The fuse has burned out.	Replace the fuse.

although the switch is on.		
Operate light of hand control is off	Hand control broken or line of hand controller loose	Twist tight line of hand control,if still not work,replace hand controller

Remarks: It will be not informed if the improvements of the product do not influence appearance and function.