

Supra 11 Function Skin Care System (SKU16627)



SKIN+ACT

Toll Free: 1.800.418.0830

www.skinact.com
www.spaandequipment.com

International: 818.834.6640

NOTICE

No part of this document may be photocopied, reproduced, or translated into any other language without prior written consent of Spa and Equipment/SkinAct.

The information in this document is subject to change without notice at any time and should not be construed as a commitment by Spa and Equipment/SkinAct.

Spa and Equipment/SkinAct assumes no responsibility for any errors that may be in this document, nor does it make expressed or implied warranty with regard to this material, including, but not limited to, the implied warranties of merchantability and fitness for a particular purpose.

Spa and Equipment/SkinAct shall not be liable for incidental or consequential damages arising out of the furnishing, performance, or use of this document and the program material which it describes.

SKIN+ACT

Toll Free: 1.800.418.0830

www.skinact.com
www.spaandequipment.com

International: 818.834.6640

Product Usage Instructions

- This product has been designed to be used by beauty professionals at beauty salons and should not be used for other purposes.
- Please note that any misuse of the device entails the loss of the guarantee.
- Do not make any modification to the device without the authorization
- we shall not be held liable for any material or personal damage due to the misuse of the product.

Restrictions on Use

- This product should not be used on:
 - People with metal implants in their body.
 - People with pacemakers or heart problems.
 - Pregnant women.
 - People with sensitive skin, lesions, inflammations, or any skin problem or disease.
- With people undergoing medical treatment or a diagnostic process, the product must be used with medical authorization.

Cautions

- Before using it for the first time and after each use, check the device and the mains cable for any damage.
- Unplug the device from the mains before starting to clean it or undertaking any type of maintenance.
- Do not use the product outdoors or in places where it may be affected by humidity or inclement weather.
- If the power supply cable is defective, unplug the appliance immediately and inform your dealer or specialized technician.
- Position the power supply cable properly so that people cannot trip over it and make sure you plug it into an earthed socket.
- At the end of the working day, disconnect the device and unplug the power supply cable from the mains.
- If you detect any anomaly in the operation of the product, please contact your distributor or specialized technician.

Safety Instructions

- The device and accessories should be kept out of the reach of children.
- Only plug the device into a properly installed socket. The local mains voltage must correspond to the technical specifications of the device.
- The power socket must be accessible in case you have to quickly unplug the device at any given time.
- Always pull out the actual plug and not the mains cable.
- Never tamper with any electrical component or open up/repair any component of the device, Only your distributor or specialized technician should repair the device.
- Do not switch on the device if there is visible damage to it or to the mains cable.
- Never touch the device or the mains cable with wet hands.

Important

1. Before turn on the power of the host machine, please confirm the water cup was screwed down, the water level was between the highest and lowest water level mark
2. If there's needed to add essential oil under working condition, pleas all it after pause the mist spray.
3. It must be clean the cotton pallet in the essential oil base after stop using aromatherapy or herbal spray everyday.

4. It has to wait the mist came out from the spray hole steady and well-proportionally before facial spray.
5. The spray hole is 40cm away from customer's face and spray steam should be from customer's chin to whole face proportionally to avoid scald the customer's face due to hot spray steam.
6. Ozone has sterilization effect, but it also will harm skin and destroy nutrients of herbal, so it's important to select suitable time for different skin type when using.
7. Its not allowed to take water cup apart when just finish using spray otherwise will cause scald. Please wait water cup cold then take it apart.
8. it's necessary to avoid over adding water, otherwise it's not only make bad effect to the host machine, but also may cause the problem of leakage of electricity
9. If there're problems of water leakage and gas leakage happen underneath the host machine or at the herbal medicine cover, remember cut off the power of host machine first and then check whether the water cup or herbal medicine cover well assembled. If the problems still don't be solved, please contact local agency for further solution:
10. It should have good ground connection for the power plug of host machine.

1、please do not place the working head of scraper knife on skin for a long time, in case of hurt skin.

2、please pay attention to the using strength when doing skin care, place the scraper knife 45 degree with skin is the best (as pictures shown at right side).

3、please supply essence to surface skin to keep moisture.

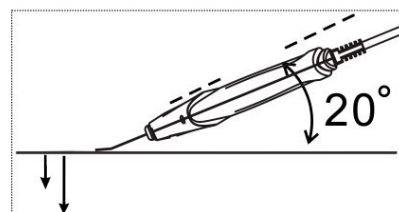
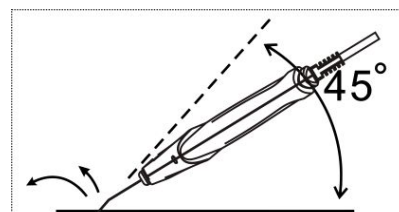
4、please keep scraper knife 20 degrees with skin (as picture shown at right side) .

5、do not over pull the cable of accessories to the host machine.

6、please take scarper knife gently when using it, and clean it after every time using, but do not put it in the water to clean. After cleaning, please wipe dry and sterilized, keep clean and dry.

7、if the cable is destroyed, we suggest using the accessories from repairing agency or original factory.

8、NOT allow to be no operation under input state of scraper knife, as this can cause the scraper knife to overheat and rapidly reduce its service life and risk scalding the skin!



Notice For High-Frequency Electrotherapy Operation:



1. Squeak sounds during the normal working of electrotherapy handle.
 2. When direct electrotherapy is used, the spark may spray when the glass electrotherapy tube keeps a distance less than 1 inch with skin, and it would simulate the skin which could make uncomfortable. Therefore, the energy level should be adjusted to the minimum one before contacting with skin. If the spark is felt, a dry cotton yarn can be used to cover the face (refer to the fig.).



3. The electrode tube should be tightly closed to the face without any gap if direct electrotherapy is available, otherwise, it is easily to generate spark and to stimulate the skin.

4. For treatment of face, 8 min. For oily skin while 3~5 min. For dry skin. The current intensity is stronger for oily skin than for dry skin.

5. When operation with indirect electrotherapy, the beautician should keep one hand on face of the client, to prevent cut-off of current impacting the effect.

6. To prevent electric shock, firstly presses "start/pause"  before the glass electrotherapy tube contacts with skin, then slowly increases the energy.
7. when takes away the glass electrotherapy tube, firstly adjust the energy to the minimum level, and presses "start/pause"  to shut down the output, till the pause indicator light are yellow ,then takes away.
8. The power must be turned off when installs and uninstalls the glass electrotherapy tube.
9. Each glass electrotherapy tube must be kept clean, dry and sterilized before and after used.
10. The electrotherapy handle can be cleaned by towel, do not clean in the water, if it is contaminated by oily dirt, it can be cleaned with absolute alcohol, and kept in dry.

Notice For Operation Of Galvanic Zwitterions Conduction :

- The zwitterions conduction instrument is normally used after cleaning of skin and before the massage. Before treatment, the face should be cleaned, dry, as to prevent bringing any residual cleaning agent into skin basement.
- The probe is rolled tightly with cotton pellet, and the current is adjusted from weak to strong for gradual adaption, then to keep always a light stinging sensation.
- During the treatment course, the hands of the beautician do not touch any metal part of probe.
- The conduction is applicable to dry skin (insufficient water), decrepitude skin (insufficient nutrition) and oily skin. The different liquid beauty products could be selected according to different skin types, but the beauty product for oily skin will prevent permeating.
- After operation, clean the roller, metal bar, and keep in dry place.
- When the polar is set up for positive electrode, the stinging sensation of roller probe will be felt stronger than set up for negative electrode and weaker on the contrary. Please select as your demand.
- During the treatment, it is not allowed to wear any metal ornament or jewelry, and the client with gold teeth or metallic contained in the body is not allowed to use.
- The client with sensitive skin, injury, inflamed, or telangiectasia and pregnant women is not allowed to use this instrument.
- the ph of nutrient solution should be appropriately matched with positive and negative electrode of rollers, when the roller is in positive electrode, the conditioned solution should be acidity (+); when the roller is negative electrode, the conditioned solution should be basicity (-), if the ph of used nutrient solution has not indicated, ph test paper could be used for determination.

Notices for operation of spray, vacuum functions :

1. Carefully check the label on air flexible tube to prevent incorrect connection.
2. The host should be paused if the spray bottle or sucker needs to be replaced during using.
3. During the working of vacuum or spray function, do not bend the flexible tube or block air inlet, which may directly cause the damage of host.
4. Any crack on nozzle of flexible tube will directly impact on the working effect, to cut the crack part with scissor and re-connects with corresponding joint.
5. it should be noted during operation of spray function :

Controls the spray mist volume, to prevent the waste of skin refreshener.

To prevent water drop to neck, where should be protected with water basin or towel.

Not spray toward naris or mouth, to guarantee the breath.

Not fill in spray bottle with liquid with low viscosity, to prevent any block.

The spray bottle should be cleaned in time with distillate or purified water after each time use,

and wipes dry and sterilizes for next time use.

6. it should be noted during operation of vacuum function :

The skin parts should be cleaned and softened before operation of vacuum function.

The sucking intensity of vacuum tube should be controlled medially, high intension could cause skin lesion and coagulation of blood below the surface of the skin. The beautician firstly could try by own hands, and moves to working parts after adjustment of vacuum ability.

When the treatment is made on fix parts of skin, the press time of relief-pressure air inlet should be controlled by fingers, to prevent too long time sucking and become purple by sucking.

The sucking frequency should be increased for oily, thick skin, and sucking is not allowed to be used for skin with telangiectasis.

Do not use for eye skin or face with inflammation.

Do not use frequency the vacuum sucking, to prevent enlarge of skin pore.

The vacuum bar should be uninstalled in time after use, and clean, wipe dry and sterilizes for next time use.

The clean sponge filter should be replaced after each time using, **do not** use vacuum bar without sponge filter, which will directly damage the host machine

Notices for the using functions of the host machine:

1. During working, the cables between accessory and host machine shall not be drawn excessively.
2. Broken mains cord shall be replaced with specific cord or specific assembly from its manufacturer or maintenance departments. It is strongly recommended that the accessory from original factory shall be used.
3. The host machine shall be turned off and the attaching plug shall be pulled out if any abnormal condition occurs. You shall ask the agency or specific serviceman to check and maintain. The main case is not allowed to be opened.
4. It is forbidden to place or use it at bathroom of wet places.
5. It is forbidden to put it together with inflammable and explosive objects.

Notices for the using functions of the host machine:

1. During working, the cables between accessory and host machine shall not be drawn excessively.
2. Broken mains cord shall be replaced with specific cord or specific assembly from its manufacturer or maintenance departments. It is strongly recommended that the accessory from original factory shall be used.
3. The host machine shall be turned off and the attaching plug shall be pulled out if any abnormal condition occurs. You shall ask the agency or specific serviceman to check and maintain. The main case is not allowed to be opened.
4. It is forbidden to place or use it at bathroom of wet places.
5. It is forbidden to put it together with inflammable and explosive objects.

WARNING

When using the hot spraying function:

It's forbid to put oily material into water cup or herbal net; it may cause the problem of water spray.

It's forbid to use tap water or water with much impurities. We suggest to use purified water, distilled water or filtered water, otherwise, it will cause detection failure and false positives.

Its not allowed spray from the above of the face by the steam hole, otherwise may causing scald.

It's not allowed to put this machine in the over humidity environment to work, for example: bath room etc.

It's not allowed working under projective sunshine otherwise will cause many kind of unsteady conditions.

If there's any exceptional problem, please contact the agency to let professional maintainer to repair instead of opening the host machine cover to repair by you.

If power cord is destroyed, it's better to choose the accessories from the original factory. It's not allowed to repair by un-professional personnel; you should go to appointed repair agency to change.

When using high-frequency electrotherapy function :

1. During using of high-frequency electrotherapy, it is not allowed to contact any metallic, and should be taken off if wearing.
2. the client with sensitive skin, patch skin, patient with acne rosacea, wounded skin surface, pregnant women and body equipped with other instrument (e.g. cardiac pacing instrument) can not use this function.
3. When using high-frequency electrotherapy, can not use creams and face mask with content of ethanol. If it has to use toner with ethanol content, it can be used after the high-frequency electrotherapy.
4. Do not use each electrotherapy tubes toward eyeball.
5. Do not touch high-frequency electrotherapy main input port or handle input port under condition of live host.
6. The plug of accessories flexible cable should be fixed firmly with corresponding outputs of host.
7. This instrument should be operated by professional beauticians, because high-frequency interference will be generated during accessories working, do not close to other electronic instruments. Be caution during using.

When using rotary brush function:

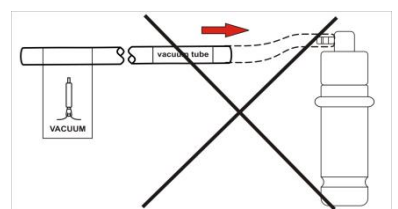
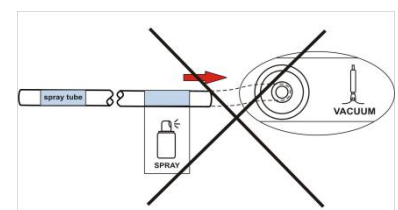
1. Do not use it for a very long time, otherwise it will cause brush handle over hot.
2. Do not change brush during it is working.
3. Do not make brush
4. Do not use crystallized brush which has abrasion.

When using galvanic zwitterions conduction function:

1. The patients with following disease are not suitable to use this function, e.g. heart disease, infectious disease, neuroticism and body with metallic during cure course.
2. Do not make the working conduction and export probes touch together for a long time.
3. When the skin care essence is insufficient to moisturize, it should be added in time.
4. Do not use sliding roller which can not rotate, and should be replaced in time.
5. Prevent spray water or other corrosive liquid on the host during using.
6. Do not use round probe and roller probe with damaged surface, rusty or worn, to prevent injury of skin. Be careful to protect the probe, to prevent any scarp by other hard matter.

When using ultrasonic wave function:

1. Not allow to be no operation under input state of probe, otherwise it will cause overheat of probe and rapidly reduce the using life.
2. Not try to separate the stainless steel probe and handle, if often rotate the stainless steel probe and handle may damage the probe.
3. Forbidden putting probe into water for clean which may damage the probe.
4. Forbidden using probe with damaged surface or serious



scrape, it must be replaced in this case.

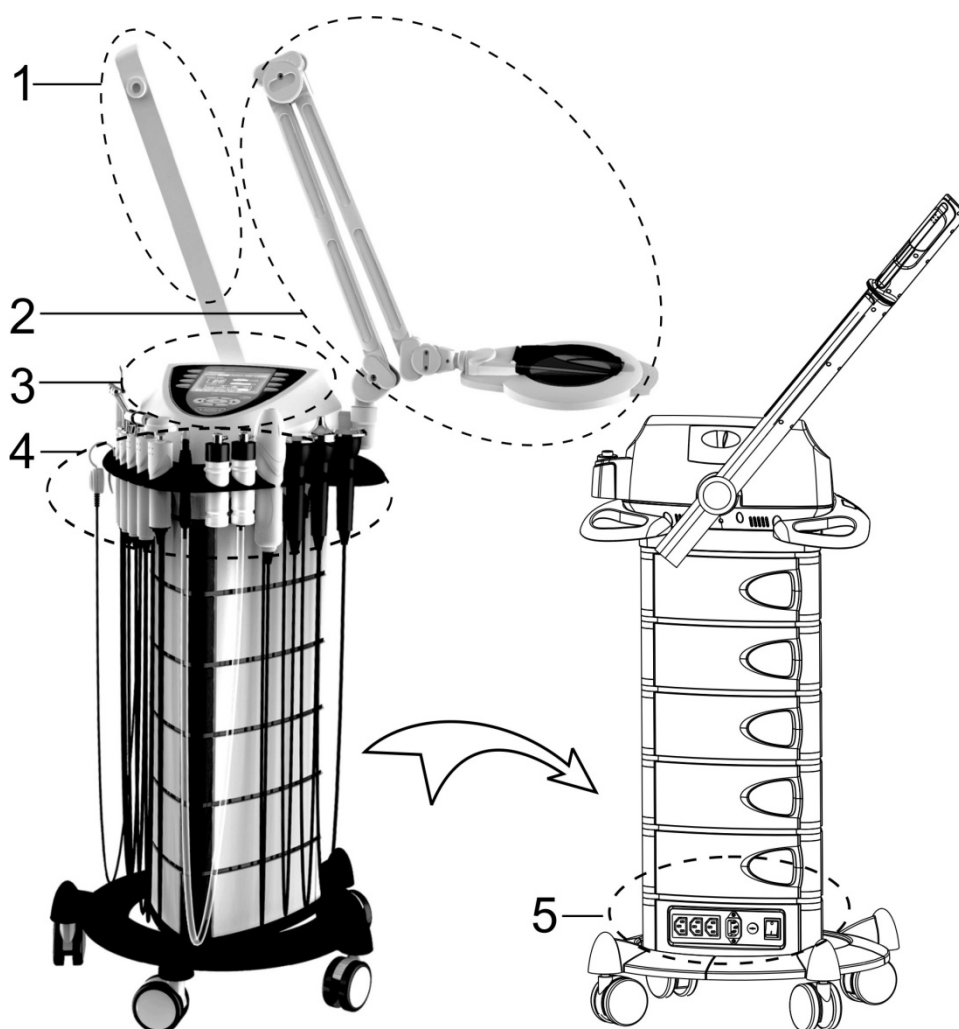
When using spray, vacuum function:

1. Be care of flexible tube connecting accessories and host, do not over-pull.
2. Prevent spray water or other corrosive liquid on the host during using.
3. Forbidden connecting the flexible tube of spray function with output of vacuum function (see the fig. Right) as well as connecting of flexible tube of vacuum function with nozzle of spray bottle (refer to the fig.), otherwise it will suck back the treatment liquid into spray bottle, and directly damage the host.
4. Forbidden using sucker with edge angle, sharp edge, worn and damaged. In this case, please contact with distributor or appointed maintenance center to replace in time.


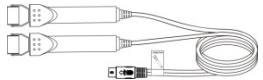

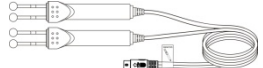
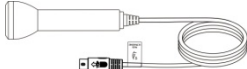
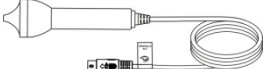
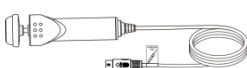
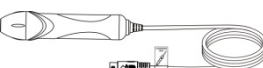
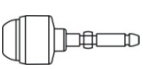
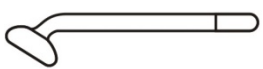
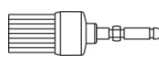

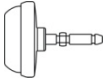

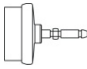
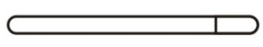
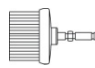
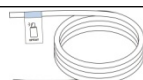
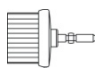
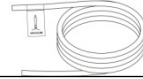
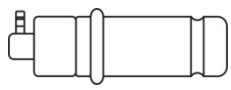


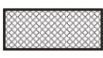
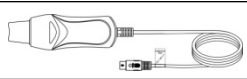

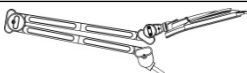

Beauty Instrument Instruction

1. Spray Arm
2. Magnifying Lamp
3. Control Panel
4. Accessories Holder

5. Power Socket

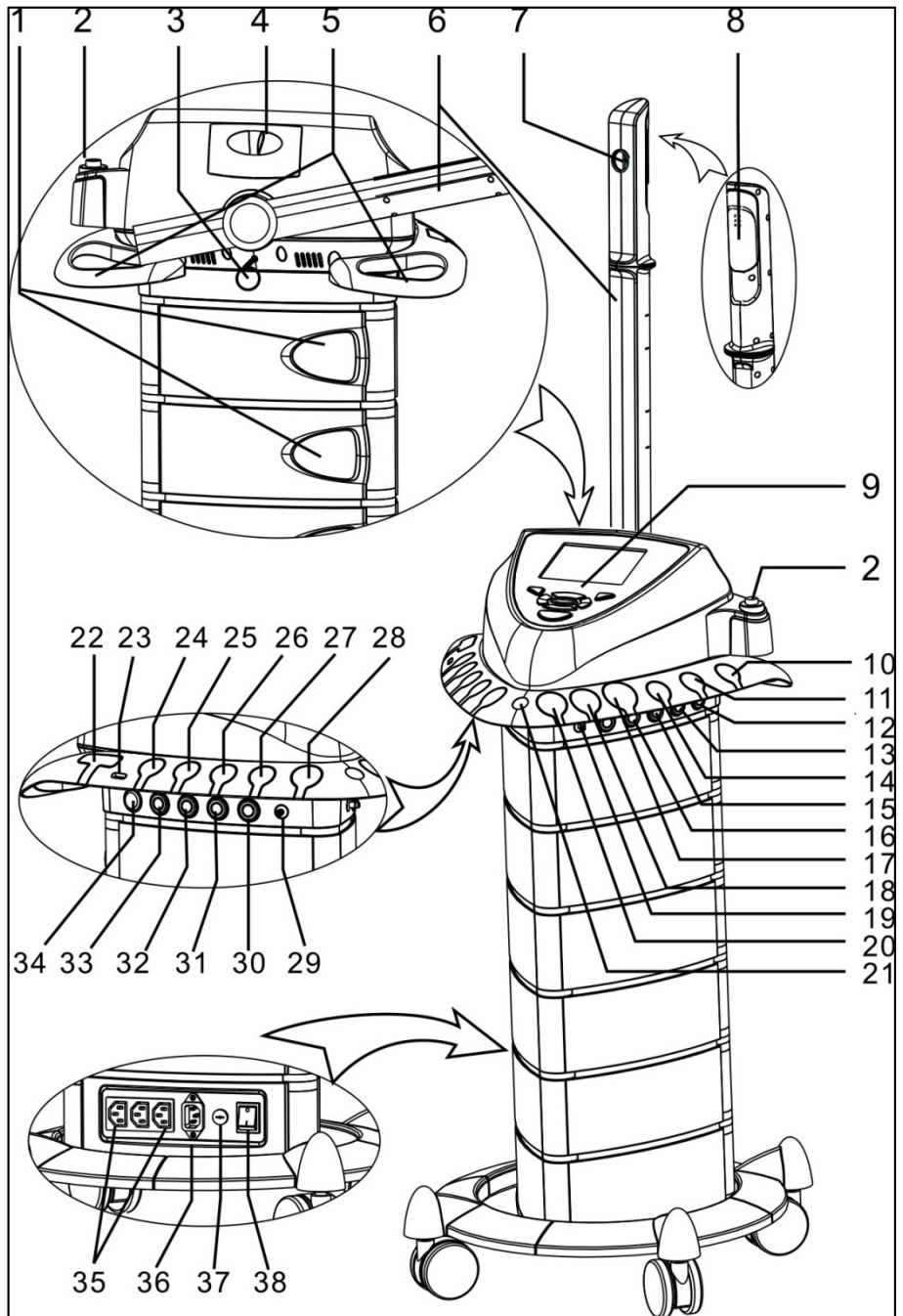


Packing List

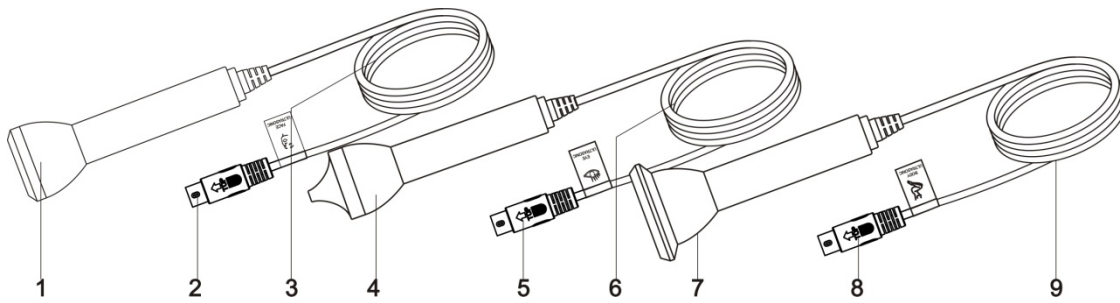
Name	Graphic	QTY	Name	Graphic	QTY
Host Machine		1 Round	Roller Probe		1 Piece
Power Cable		1 Piece	Round Probe		1 Piece
Face Probe		1 Piece	Eyes Probe		1 Piece
Brush Handle		1 Piece	High-Frequency Electrotherapy Handle		1 Piece
Crystallized Small Brush		1 Piece	Mushroom-Shape Glass Electrotherapy Tube		1 Piece
Fuzz Small Brush		1 Piece	Spoon-Shape Glass Electrotherapy Tube		1 Piece
Crystallized Big Brush		1 Piece	Dot Glass Electrotherapy Tube		1 Piece
EVA Big Brush		1 Piece	Straight-Bar Glass Electrotherapy Tube		1 Piece
Fuzz Big Brush		1 Piece	Suction Hose Tube		1 Piece
Shag Big Brush		1 Piece	Spray Hose Tube		1 Piece
Spray Bottle		2Pieces	Vacuum Tube		1 Piece
Sucker		1 Piece	Sponge Filter		3 Pieces
Skin Scraper Knife		1 Piece	Instruction Manual		1 Copy
Magnifying Lamp		1 Piece	Nozzle sleeve		1 pcs

Instrument Description :

1. Host Machine Door
2. Magnifying Lamp Holder
3. Spray Arm Lock
4. Water-In Drawer
5. Handle
6. Spray Arm
7. Spray Hole
8. Oil Essence Slide Cover
9. Control Panel
10. Body Probe Holder
11. Eyes Probe Holder
12. Body Probe Holder
13. Eyes Probe Output
14. Face Probe Holder
15. Face Probe Output Socket
16. High Frequency Output Socket
17. High Frequency Handle Holder
- 18.20 Spray Bottle Holder
19. Spray Output Socket
21. Suction Bar Holder
22. Skin Scrubber Knife Holder
- 24.25. Round Probe Holder
- 26.27. Rolling Input Probe Holder
28. Brush Handle Holder
29. Suction Output Socket
30. Brush Output Socket
31. Rolling Output Probe Socket
32. Round Input Probe Output Socket
34. Skin Scrubber Output Socket
35. Power Output Socket
36. Power Input Socket
37. Fuse Holder
38. Power Switch

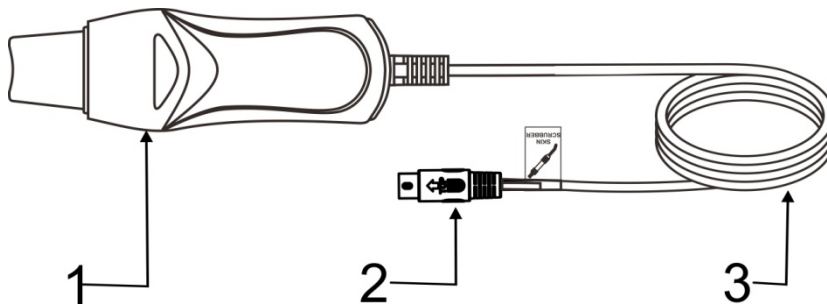


Ultrasonic:



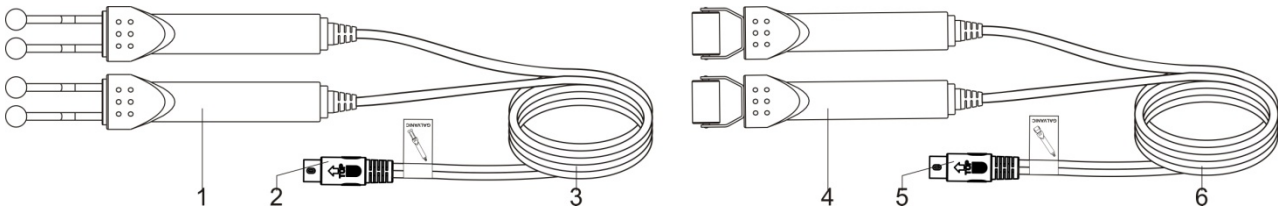
- 1. Face Probe
- 2. Plug for Face Probe Flexible Cable
- 3. Face Probe Flexible Cable
- 4. Eyes Probe
- 5. Plug for Eyes Probe Flexible Cable
- 6. Eyes Probe Flexible Cable
- 7. Body Probe
- 8. Plug for Body Probe Flexible Cable
- 9. Body Probe Flexible Cable

Skin Scrubber:





- 1. Skin Scrubber
- 2. Scraper Knife Flexible Cable
- 3. Flexible Cable Of Scraper Knife

Galvanic:

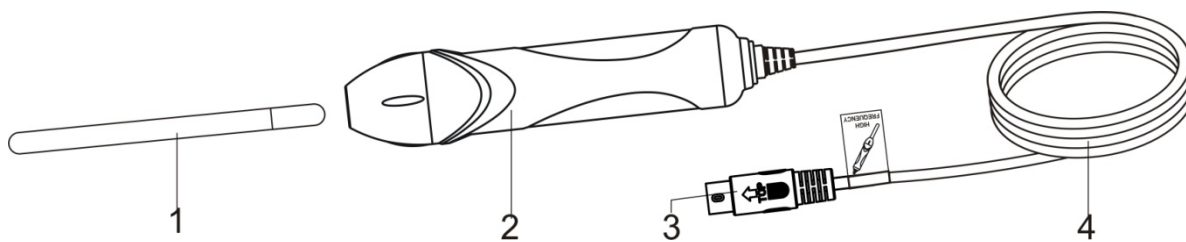


- 1. Round Conduction Probe
- 2. Plug for Round Conduction Probe Flexible Cable
- 3. Round Conduction Probe Flexible Cable
- 4. Roller Conduction Probe
- 5. Plug for Roller Conduction Probe Flexible Cable
- 6. Roller Conduction Probe Flexible Cable

Round Probe: Is Applicable To Skin In Small Area Or Irregular
 Roller Probe: Is Applicable To Skin In Big Area Or Regular

Working Indication Light For  And  On Control Panel Indicates The Output Status For Probes With Red Flexible Cables.

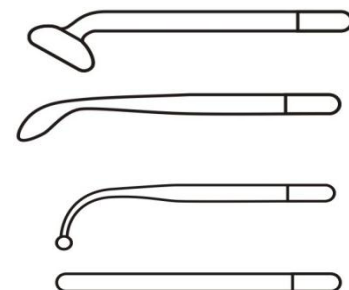
High-Frequency Electrotherapy:



1. Electrotherapy Tube
2. High-Frequency Electrotherapy Handle
3. Plug For Electrotherapy Handle Flexible Cable
4. Electrotherapy Handle Flexible Cable

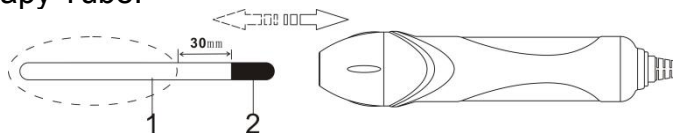
Different Glass Electrotherapy Tubes Are Suited For Treatment Of Different Parts :

- A: Mushroom-Shape Glass Electrotherapy Tube — large area such as cheek, forehead, neck etc.
- B: Spoon-Shape Glass Electrotherapy Tube — medium area such as chin etc.
- C: Dot Glass Electrotherapy Tube — small area such as nasal pit etc.
- D: Straight-Bar Glass Electrotherapy Tube — indirect treatment for clients.



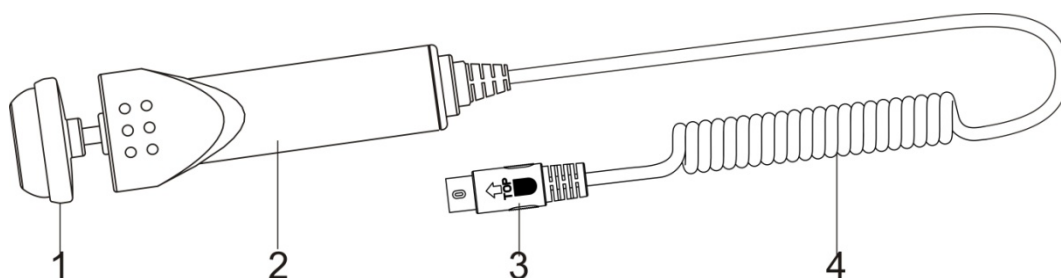
Assembling And Disassembling Of Electrotherapy Tube:

1. Glass Part of Electrotherapy Tube
2. Metal Electrode of Electrotherapy



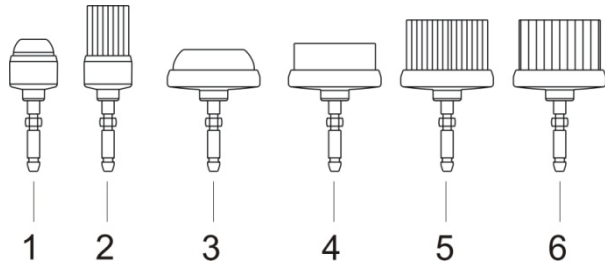
During The Assembling and Disassembling of Electrotherapy Tube, Hand Should Hold The Parts Within Dotted Line And Keep Distance With Metal Part More Than 30mm.

Brush Handle :



1. Brush Head
2. Brush Handle
3. Brush Flexible Wire Plug
4. Brush Flexible Wire

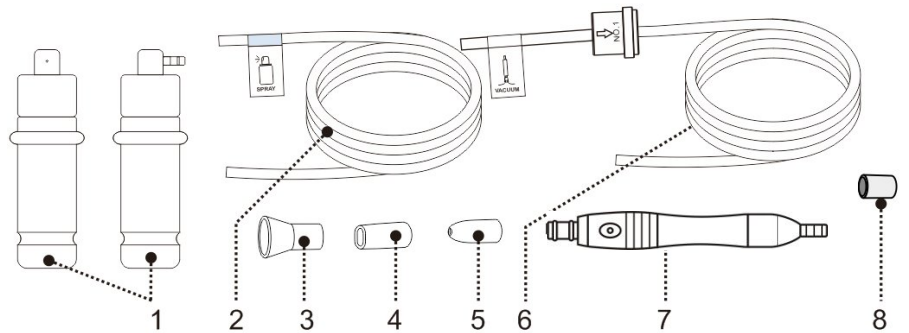
Brushes :



1. Crystallized Small Brush: clean small area horny and callus of hands and feet.
2. Fuzz Small Brush: clean and massage small area skin of face etc.
3. Crystallized Big Brush: clean large area horny and callus of hands and feet.
4. Eva Big Brush: clean and massage large area skin of face etc.
5. Fuzz Big Brush: clean and massage large area skin of face etc.
6. Shag Big Brush: clean and massage large area skin of face and other position.

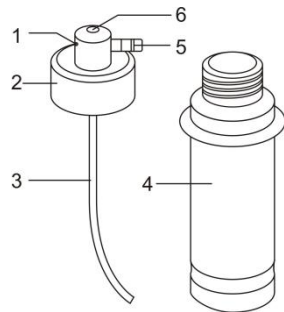
Spray Vacuum:

1. Spray Bottle
2. Spray Bottle Air Flexible Tube
3. Horn Mouth Sucker
4. Flat Mouth Sucker
5. Round Let Mouth Sucker
6. Suction Bar Air Flexible Tube
7. Suction Bar
8. Nozzle sleeve

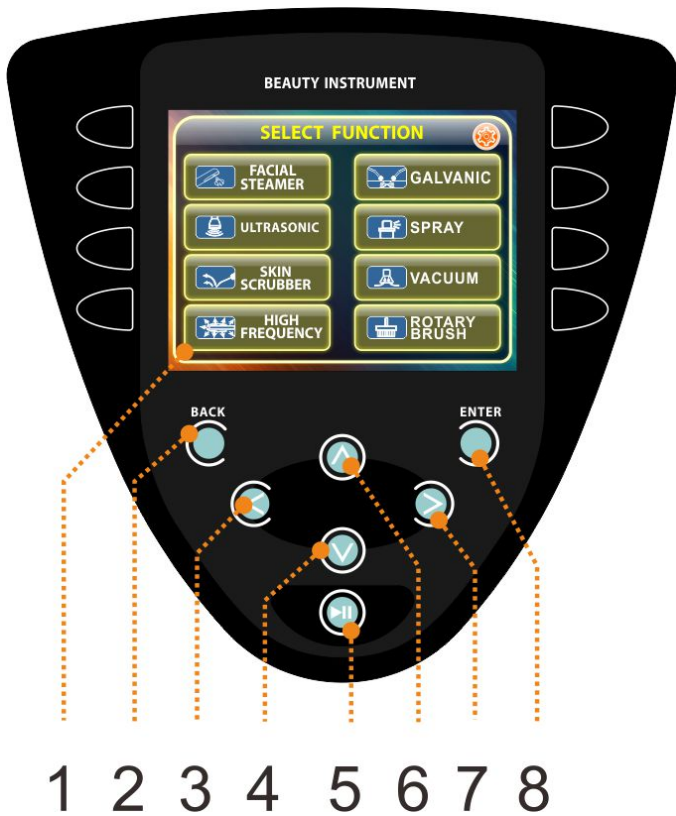


Spray Bottle:

1. Nozzle
2. Cover of Bottle
3. Suction Tube
4. Spray Bottle
5. Air Inlet Joint
6. Air Vent



Control Panel Introduction



1. Touch control screen: touch operation within the current screen
2. Back button: back to function menu
3. Left direction button: move to left selection
4. Down: move to down side selection
5. start/pause button: start or pause output
6. Up direction button: move to up direction selection
7. Right direction button: move to right selection
8. Enter button: to confirm the current selected

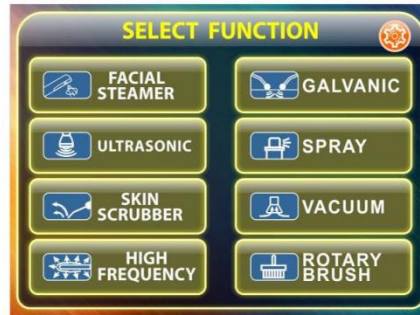
Function

● **Operation Interface**

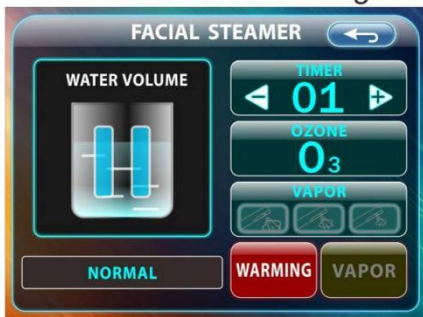
Language selection interface



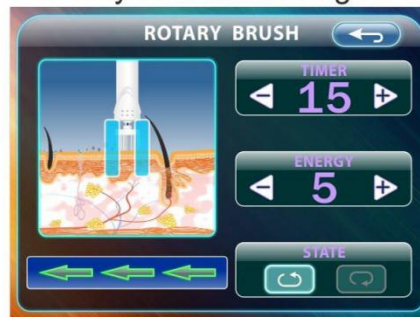
Function selection interface

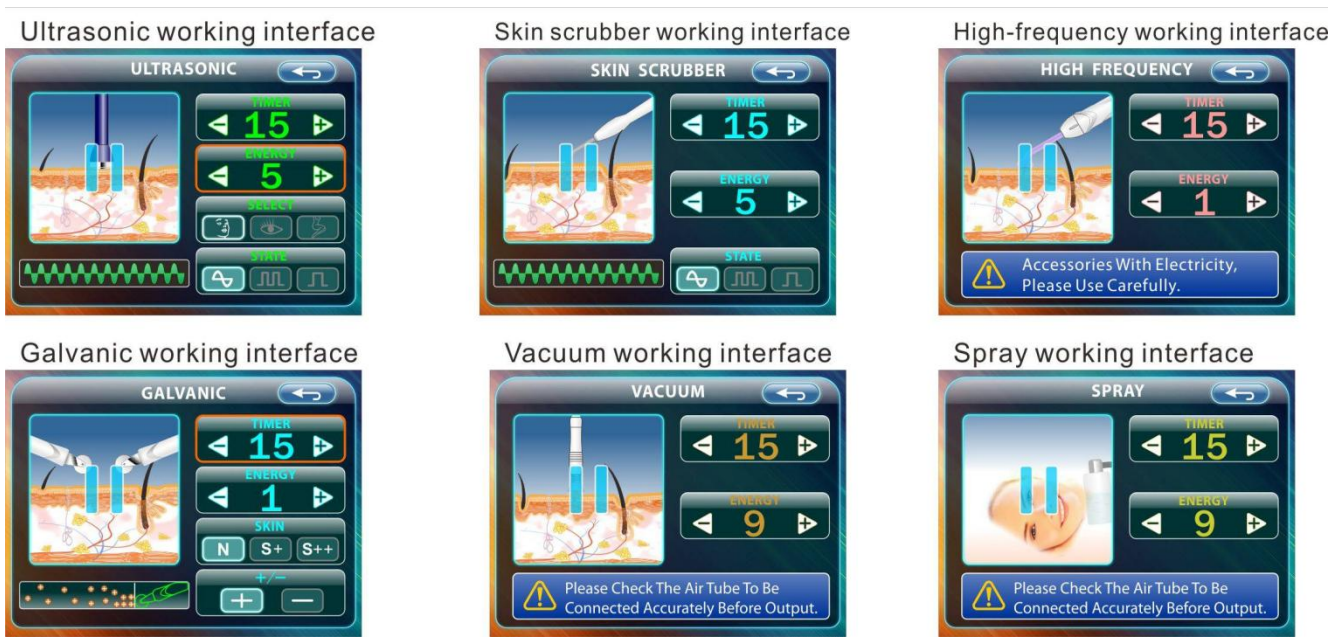


Facial steamer working interface



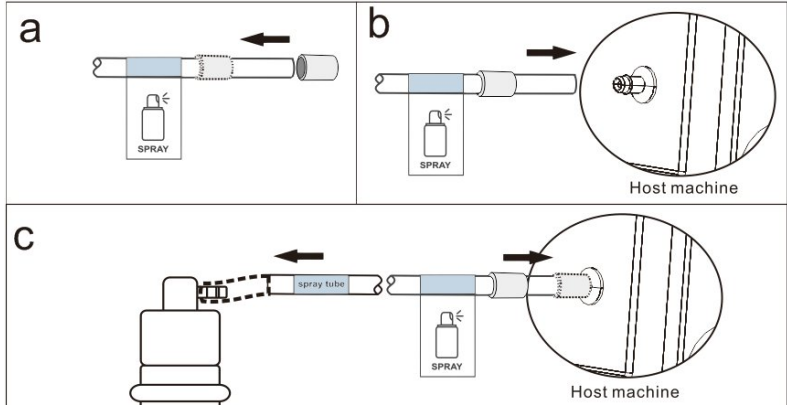
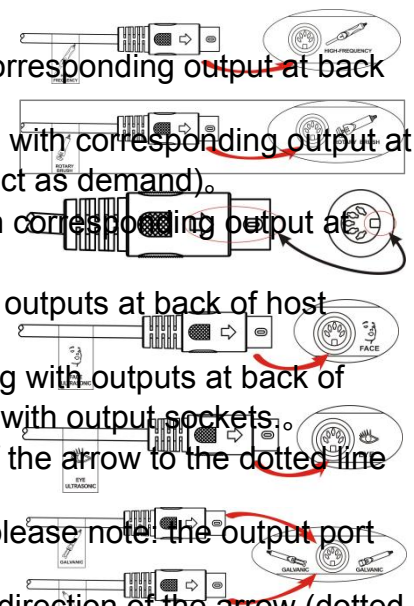
Rotary Brush working interface



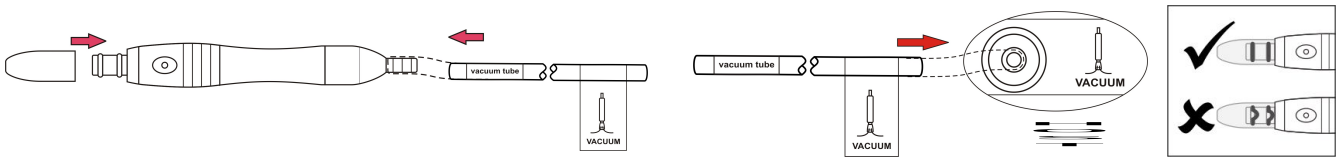


● Connection Instruction:

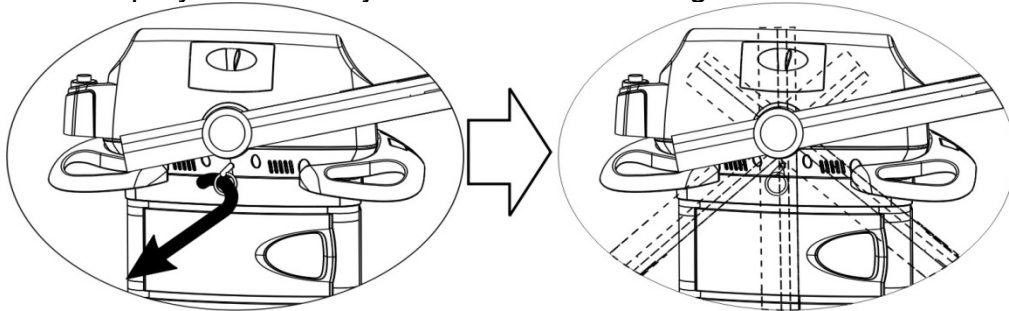
1. Connect the power cable with host machine;
2. Plug-in separately flexible cables of ultrasonic wave probe with corresponding output at back of host machine.
3. plug-in separately flexible cables of galvanic zwitterions conduction with corresponding output at back of host machine (only one plug is available per time, please select as demand).
4. plug-in flexible cable of high-frequency electrotherapy handle with corresponding output at back of host machine.
5. The flexible cables of brush handle should be corresponding with outputs at back of host machine.
6. the labels on flexible cables of accessories should be corresponding with outputs at back of host machine as well as the arrows on plug of cables should be fitted with output sockets.
7. First, insert the nozzle sleeve into the nozzle as per the direction of the arrow to the dotted line position.
insert the nozzle port into the spray function output port on the host (please note: the output port needs to be completely wrapped).
finally, put the nozzle sleeve into the spray function output port in the direction of the arrow (dotted line position), and fix the nozzle interface. The spray bottle is connected to the other end, and the installation of this function is completed.



8. insert effectively one end of air flexible tube with labeling of "vacuum tube" to inlet of suction bar, and another end to vacuum function output of host machine.;

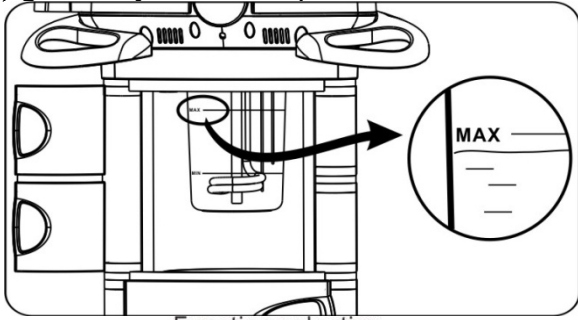


9. spray arm unlock: when take out the whole machine for the packing ,the spray arm was locked in fixed position, please pull out the limited lock with one hand (as direction of the black arrow in the picture), rotate the spray arm to horizontal position with the other hand (as following picture), release the limited lock for spray arm to finish the spray arm unlock. Before application, please confirm unlock of the spray arm and adjust it around to 130 degrees.



10. Put the water into the cup

Open the back door of host machine to check whether the cup well assembled. Open the water-in drawer, put the distill water or purified water into the drawer with measure cup (as standard accessories) gradually. Remark: please do not exceed the "max" water level line



Function selection




● Instruction Of Functional Operations & Notices:

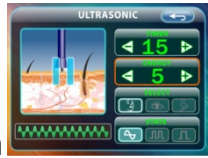


1. Switch on the power at back of host machine, the indicator of main power is lighting.
2. Interface and operation instruction
Function selection -> different function interface




3. When operate the beauty machine, the screen touch control and button control available at the same time

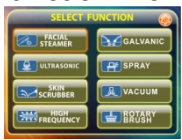
Screen touch control: control the machine by touch the control button shown in the interface









Button control: press the button  to select the function and display by the screen







When press the button marked with red circle, it will display in the screen , means you can adjust higher or lower level for the energy.  

Optional function: press the buttons according to what function you want.    the chosen function marked red circle will be appeared in the screen.

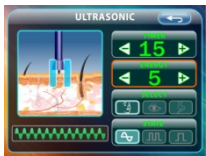



press the enter button and start working 

Time setting: press the button as “timer” below  or . or press the direction button   from the control panel to adjustment. You will find the figure changed as per the  or  adjustment.

Energy setting: press button “energy” below  or ; or press the direction buttons for energy level adjustment  . You will find the figure changed as per the  or  adjustment.


Back out of the current function: enter the upper right button  from current panel

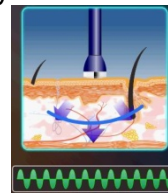


or enter  to return to the functions optional panel.

From function optional panel, it couldn't choose the function if the button shows gray.

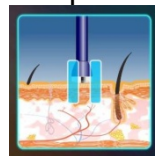
“start/pause” start/pause: enter the default screen of this function or reset it, then, you can click

the button of “start/pause”  or click on the animation display window of the function interface



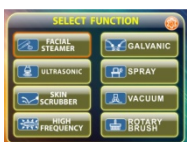
to start the output, animation display window will show animation , re-enter button of

“start/pause”  or click on the animation which will be pause. The animation display window



will stop display animation and shows pause symbol

Languages options: click the upper right button  from the function option display



you will find the language options.



click



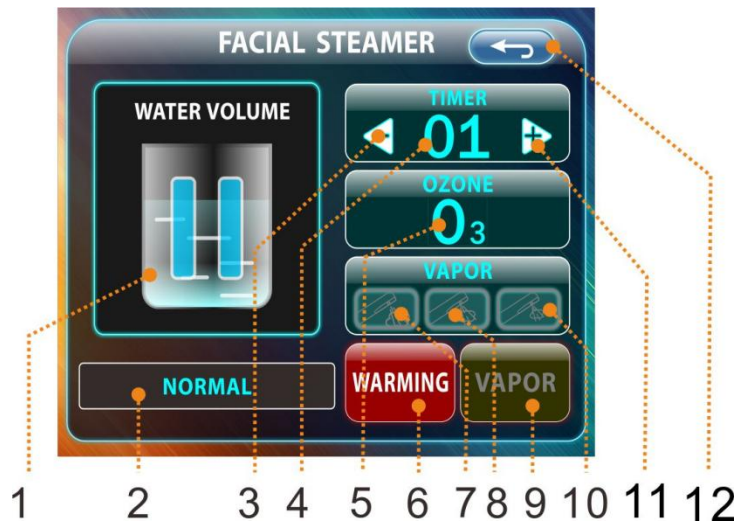
to choose your

language from pages. For turn back, click button  without any modifying. Click on your needed language , icon will turn yellow . System will change the language into your needed language after 30 seconds when you lick again. (the default language of the factory system is English.)


8. after finish working time setting, the screen will show" finish setting", and will return to the default interface automatically in 5 minute


FACIAL STEAMER

Control Panel Instruction :




1. Animation Display Window: Display Animation and Start/Stop Touch Control Area
2. Water Level Window
3. Time Reduction Button: Reduce the Working Time
4. Time Display Window: Display the Current Working Time (Unite/Minute)
5. Ozone Function: Start the Ozone Output Function
6. Warming Reservation Button: Select the Warming Reservation Function
7. Maximum Spray Volume: Select the Maximum Spray Volume Output Function
8. Medium Spray Volume: Select the Medium Spray Volume Output
9. Hot Spray Function Button: Select the Hot Spray Function
10. Minimum Spray Volume: Select the Minimum Output
11. Time Increasing Button: Increase The Working Time;
12. Back Button: Back To Function Menu;



Enter the hot spray function control interface, select the ""warming reservation function or "

" hot spray vapor function:


Warming reservation function:

Select the ""button to enter the warming reservation interface, the warming reservation time can be adjusted in this interface; the rest grey buttons are not available.

Time setting: 5-90 minutes available, press "" or "" to increase or decrease the working



time, five minute more or less for each press .the default time is 60 minutes. After finishing the setting, press "start/pause"  or touch the animation display area  to start output

Hot spray function




Select the "  " enter the hot spray function default interface .the timer show"15"minute,the "ozone" function off , "vapor" with the maximum spray volume .

After finishing the setting, press "start/pause"  or touch the animation display area to start output


1. Time setting

Time setting: press key "  " and "  " to set up the working time according needed, time range 1~30 min.

2. Energy setting


The volume of the spray can be selected; there is maximum, medium and minimum level. The indicated light of "  " is green, when the volume of spray is maximum level. The indicated light of "  " is green, when the volume of spray are medium level .the indicated light of "  " is green, when the volume of spray are minimum level. Before the spray spouts should be selected the highest level in using, then adjust the volume of spray according needed.

3. Turn on the ozone function


Press the ozone switch "  ", the color of button is green, the ozone tube turn on, obviously ozone smells in the steam with distinct atomization phenomenon. The color of button is blue, the ozone function are off.

4. water level detection function

The host machine detect the water level automatically, when the water level under the normal working (water level between the maximum and minimum), the host machine will continuous

heating  ;

When too high or too low water level is detected, (when the water level was too high, the

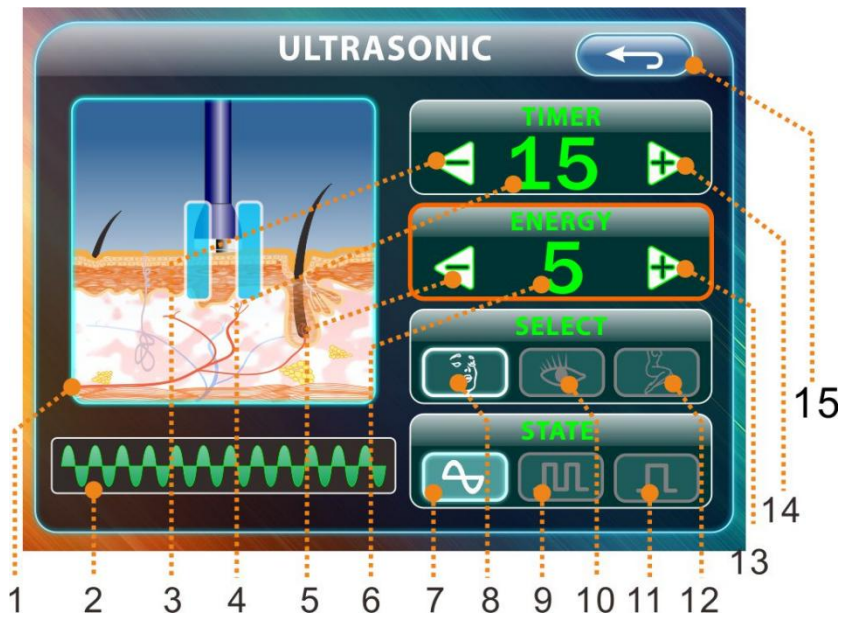
animation display window will flash and display "  ", when the water level too low, the

animation display window will flash and display "  ", the host machine turn off the heating right away.

At this time , the buzzer will give the alarm signal "de de" continuously until the water level reach the normal water lever, and unlock the all the locked button, at this time ,press the "start/pause" to rework

Ultrasonic Function

Control Panel Instructions



1. Animation Display Window: display animation and start or pause screen touch control area
2. Wave Function Display Window: display the current output wave from
3. Time Decrease Button: to decrease working time
4. Time Display Window: display the current working time
5. Energy Decrease Button: decrease the energy output
6. Energy Display Window: display the current volume of output energy
7. Continuous Wave Selection Button: select the continuous wave
8. Face Probe Selection Button: select the eye probe
9. Hybrid Wave Selection Button: select the hybrid wave
10. Eye Probe Selection Button: select the face probe
11. Broad Pulse Wave Selection Button: select the broad pulse wave
12. Body Probe Selection Button: select the body probe
13. Energy Increase Button: increase the energy output
14. Time Increase Button: increase the working time
15. Back Button: back to function menu;

Ultrasonic Wave Function Adjustment

Under the main menu interface, select the ultrasonic function by pressing the "ULTRASONIC" button to enter the default interface of ultrasonic function: "timer" time display window shows "15" minutes "energy" energy display window shows the "5" level "select" probe selection area, the face probe button " (eye icon) " is green. "state" wave form selection area, the continuous wave button " (sine wave icon) " is green.

Under this status, it is available to adjust time and energy, also select the output probe and wave form output as demand.




Time setting: press " (right arrow) " and " (left arrow) " to set up the working time of host machine, time range 1~30 min.


Energy adjustment: press " (right arrow) " and " (left arrow) " to control the energy output of host machine, adjustment levels 1~9.

Output probe selection: press "select" key for ultrasonic wave control to select the output probe.

The indicator " (eye icon) " lights meaning to the face probe is selected currently; indicator " (hand icon) " lights meaning to the body probe is selected currently; indicator " (eye icon) " lights meaning to the

eye probe is selected currently;

Waveform output selection: press "STATE" to select output of waveform. The indicator  lights meaning to continuous wave output; if the indicator  lights meaning to hybrid wave output; if the indicator  lights meaning to board pulse wave output.

After finished setting, press "start/pause"  or touch the animation display area to start or pause the output for host machine.

●Cleaning Skin:

1. use sprayer or cleaning water softens skin to be cleaned.
2. press energy key to adjust energy to suitable strength.
3. to wipe skin care products on the skin surface evenly (like cleaning milk etc.), in the whole process of cleaning skin care to be kept moist.

4. reference to the presentation of A.B.C.D

A, eliminate acne without pain(as picture a).ultrasonic can be split the mature acne into smaller particles in a short time by vibration, and the whole process is painless.

B, clean-up eruption(as picture a)

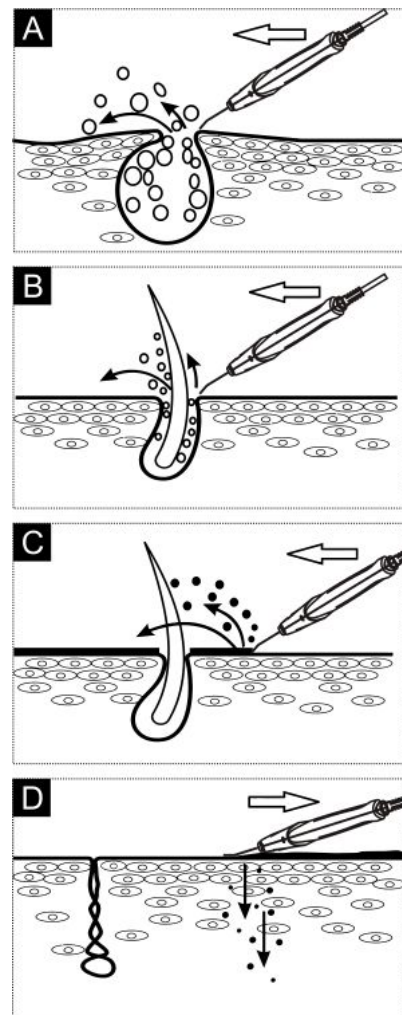
With 25,000 times vibration frequency can be cleared the eruption in the pores and residue of cosmetic very quickly.

C, cleaning skin(as picture c)

Scrapper knife and be cleaned the dirty things and aging skin.

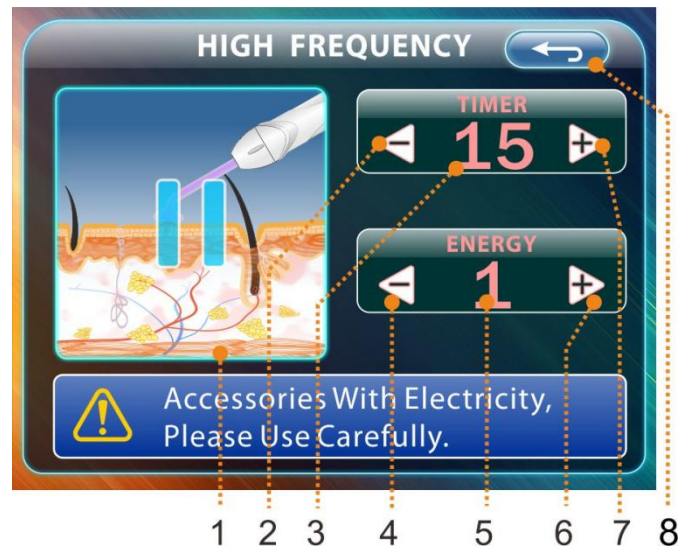
D, import massage(as picture d)

Place the head of the scraper knife on the surface skin flatly, and with push-pull can be imported essence to skin effectively (as picture d).



High Frequency Function

Control Panel Instruction :



1. Animation Display Window: display animation and start or pause screen touch control area
2. Time Decrease Button: to decrease working time
3. Time Display Window: display the current working time
4. Energy Decrease Button: decrease the energy output
5. Energy Display Window: display the current volume of output energy
6. Energy Increase Button: increase the energy output
7. Time Increase Button: increase the working time
8. Back Button: back to function menu;

High Frequency Function Adjustment:

Under the main menu interface, select the high frequency function by pressing the "HIGH FREQUENCY" to enter the default interface of high frequency function:


"timer" time display window shows "15" minutes," energy" energy display window shows the "1" level

Under this status, it is available to adjust time and energy.

Time setting: press "➡" and "⬅️" to set up the working time of host machine, time range 1~30 min.


Energy adjustment: press "➡" and "⬅️" to control the energy output of host machine, adjustment levels 1~9.

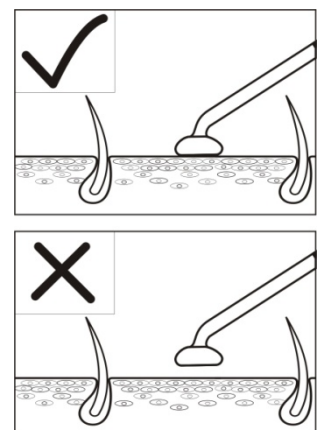


After finished setting, press "start/pause"  or touch the animation display area to start or pause the output for host machine.

Direct Electrotherapy:

1. the beautician holds the handle of high-frequency electrotherapy (see fig. Right), do not contact the glass electrotherapy tube with hand or metal matter, switches on the power of host machine, and adjusts "energy" to min. Level.
2. contacts the cured part of client with glass electrotherapy tube (see fig.

Right side), slowly press "energy"  key to adjust the energy output and the glass tube will generate ionization lighting until there is output of warm high-frequency current. When face creams or face mask is being used by the client, moves slowly the glass electrotherapy tube from neck toward chin, face, cheek, nose and forehead. During the course, adjusts slowly the "energy" level as demand. When the heat is generated face skin, it has effectiveness of appeasement and sedation by directly using high-frequency




electrotherapy. Meanwhile it has bactericidal effect, and is suitable for oily and acne skin.
 3. after the operation, firstly slowly adjusts down the "energy", presses "start/pause" key till pause, the output of host machine pauses. And then takes away the glass electrotherapy tube contacting with face.


The Functions Of Direct Electrotherapy:

1. warm vibration is good to appease the skin.
2. stimulates the circulation of blood, provides nutrition for skin to improve gloss and elasticity of skin.
3. promotes cell metabolism, helps to breath and excretion of skin.
4. heating effect on the skin will increase the cell permeability, and helps to improve the absorption ability of skin and enhance the treatment effect.

Indirect Electrotherapy:

Firstly the client holds the straight-bar electrotherapy tube, switches on

the power, then presses "start/pause" , adjusts "energy" to level as demand, the beautician give a massage to treatment part. During the whole course, the beautician does not contact with electrode

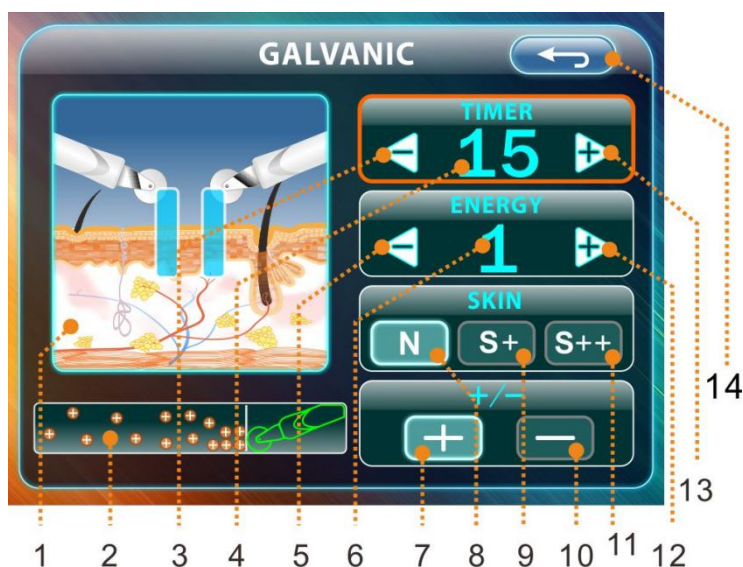
before take away the electrode bar, must press "start/pause"  to stop the host machine



Functions Of Indirect Electrotherapy:

1. stimulates the circulation of blood, promotes cell metabolism.
2. adjusts and recover the absorption of nutrition and resistance to bacteria.
3. enhances the activity of skin basement cell by current effect, to improve the massage effect.


Galvanic Function Control Panel Instructions

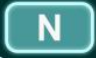



1. Animation Display Window: display animation and start or pause screen touch control area
2. Zwitterions Conduction Function Display Window: display the current zwitterions conduction status
3. Time Decrease Button: to decrease working time
4. Time Display Window: display the current working time
5. Energy Decrease Button: decrease the energy output



6. Energy Display Window: display the current volume of output energy
7. Cation Selection Button: select the probe with red cable end, input cation
8. Normal Skin Selection Button: select the normal skin output
9. Sensitive Skin Selection Button: select the sensitive skin output
10. Anion Selection Button: the probe with red cable end, input anion
11. Extreme Sensitive Skin Selection Button: select the sensitive skin output
12. Energy Increase Button: increase the energy output
13. Time Increase Button: increase the working time
14. Back Button: back to function menu;



Galvanic Function Adjustment:

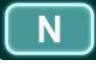
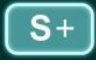

Under the main menu interface, select the galvanic function by pressing the "" to enter the default interface of galvanic function:



"timer" time display window shows "15" minutes," energy" energy display window shows the "1" level" skin" selection area, the light of "" is green "+/-" the polar selection area, the light of "" is green


Under this status, it is available to adjust time and energy, also can selection different output polar and skin type

Time setting: press "" and "" to set up the working time of host machine, time range 1~30 min.

Energy adjustment: press "" and "" to control the energy output of host machine, adjustment levels 1~9.





Skin type selection: select the most suitable skin type according demand, the "" is green for normal skin type, the "" is green for sensitive skin type, the "" is green for extreme sensitive skin type

Zwitterions conduction selection: according to the suitable input polar , "" is green for select the probe with red cable end to input cation , "" is green for select the probe with red cable end to input anion

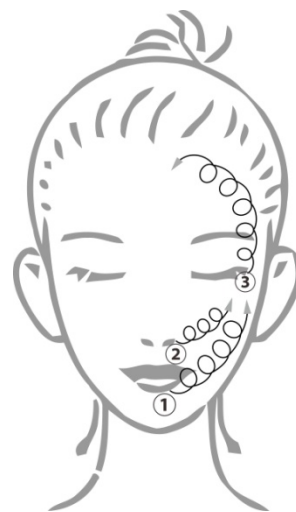
After finished setting, press "start/pause"  or touch the animation display area to start or pause the output for host machine.

There are three operation methods based on different treatment effects of zwitterions conduction function:

1. single-polar conduction method by the beautician
 (1) coat directly with half of plant essence on skin, and the other soak the cotton pellet and rolled on the probe.

(2) enter the interface of "", adjusts "energy" to min. Level, let the client hold the electrode bar while the beautician places the probe on neck of the client, presses "start/pause", starts up the host machine , then presses "+/-" to adjust for "" cation working state and adjusts energy output appropriately via "energy" key "" or "" (a slight stinging sensation is felt).

(3) the probe moves slowly by a shape of "z" on face or part of neck with keeping touch of skin




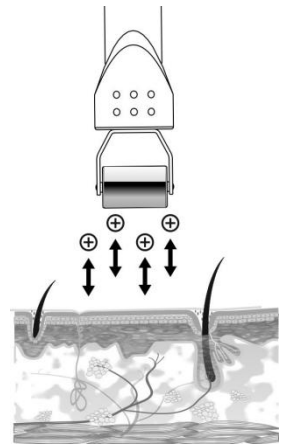
during the whole course of duration at 3~5 min.

(4) after operation, presses "start/pause"  to pause the output, then takes away the probe as well as the electrode bar hold by the client.

2. Bipolar Conduction Method

(1) the ionizing reel, that is roller probe, is applicable to skin on big area or regular. Operation method: one roller probes connects with positive electrode while another connects with negative electrode, and no any one probe need to be hold by the client. The beautician firstly coat the face of client with liquid beauty product or covers the skin with cotton yarn soaked with beauty product, and places two probes on treatment parts without any contact of each other, adjusts "energy" to min. Level, start up the host. The suited ion conduction polar should be selected based on the ph value of



used beauty product, and then adjusts "energy" level via "" till a slight stinging sensation is felt. Slowly moves the probe. If the beauty product is acidity, the current through the positive electrode will be attracted by negative electrode; if the beauty product is in basicity, the function is opposite. Due to only massage effect of one polar is taken for the face, the beautician should switch the using of positive and negative electrode probe to compensate the same treatment for both sides of face.



(2) the double-round probe is applicable to skin on small area or irregular, the operation steps is the same as for ionizing reel.

3. Impurity export

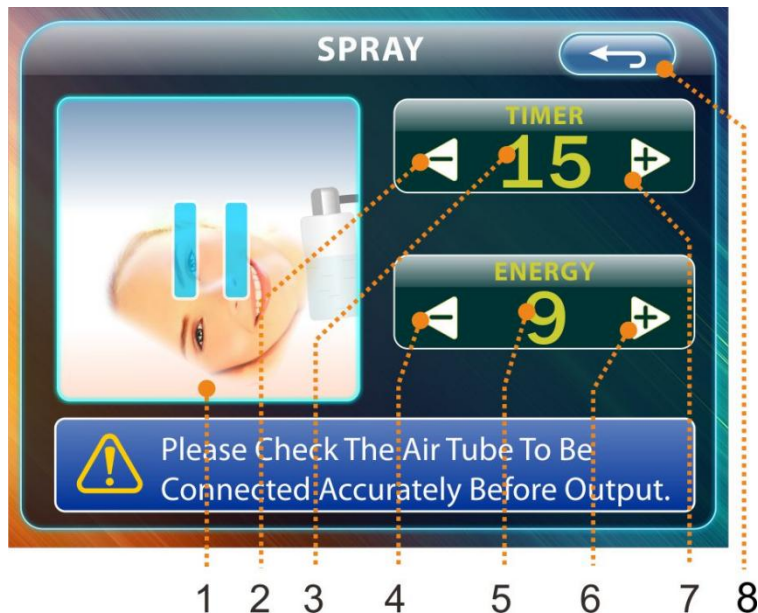
When the operation of impurity export, the moving probe should be adjusted to negative electrode while the electrode bar or probe hold by the client should be connected with positive electrode. Uses special essence for impurity export, or saline to soak the cotton pellet and rolls the probe; or cover a thin layer cotton yarn or face mask soaked with essence on treatment parts. Then presses

"" to adjust to "" anion conduction working state, and other steps are the same as for nutrition conduction.

Operation Method of Spray, Vacuum Functions:

Spray

Control Panel Instructions



1. Animation Display Window: display animation and start or pause screen touch control area
2. Time Decrease Button: to decrease working time
3. Time Display Window: display the current working time
4. Energy Decrease Button: decrease the energy output
5. Energy Display Window: display the current volume of output energy
6. Energy Increase Button: increase the energy output
7. Time Increase Button: increase the working time
8. Back Button: back to function menu;



Spray Function

Under the main menu interface, select the spray function by pressing the




" to enter the default interface of spray function: "timer" time display window shows "15" minutes, "energy" energy display window shows the "9" level

Under this status, it is available to adjust time and energy.

Time setting: press " " and " " to set up the working time of host machine, time range 1~30 min.

Energy adjustment: the default energy is maximum, can not be adjusted.



After finished setting, press "start/pause"  or touch the animation display area to start or pause the output for host machine.

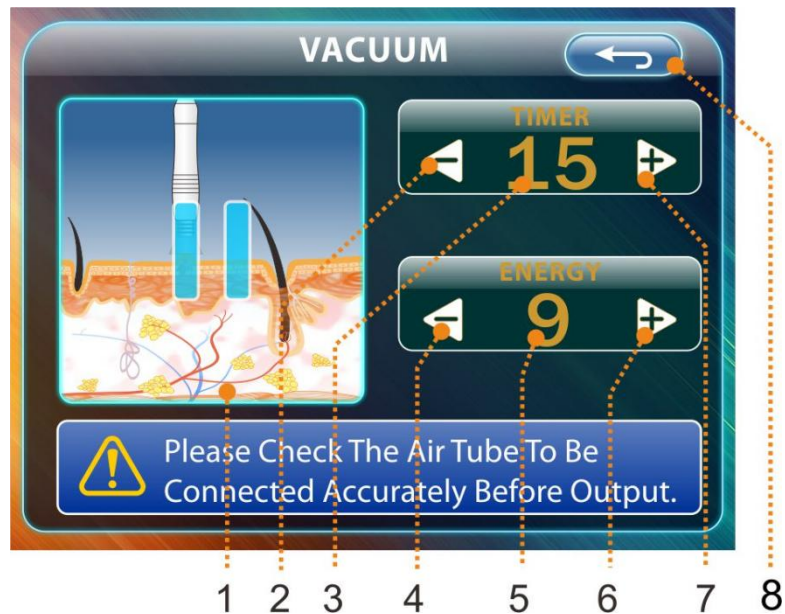
How To Use

Firstly checks if the flexible tube of spray bottle connects accurately with interface between host and spray bottle (see the fig. Right); switches on the power of host, adjust working time and energy level, and the host is under condition of pause output.

Under start up of host output, hold tightly the spray bottle by hands, and presses slightly the vent at top of spray bottle by fingers, then the mist will spray from the mouth; two spray bottles are prepared, for different liquids, and the bottle could be switched alternatively based on demand; the host should be pause for output when switch the spray bottle.


It should be careful for treatment of critical parts e.g. mouth, nose, eyes. Please close the eye, mouth to prevent liquid sucked into the naris and should spray out toward below of chin, and keeps certain distance with face. After spray, pauses the host, and absorbs remained liquid on surface with cotton pellet or soft paper.

Vacuum Control Panel Instructions



1. Animation display window: display animation and start or pause screen touch control area
2. Time decrease button: to decrease working time
3. Time display window: display the current working time
4. Energy decrease button: decrease the energy output
5. Energy display window: display the current volume of output energy
6. Energy increase button: increase the energy output
7. Time increase button: increase the working time
8. Back button: back to function menu



Vacuum Function

Under the main menu interface, select the vacuum function by pressing the "" to enter the default interface of vacuum function:

"timer" time display window shows "15" minutes

"energy" energy display window shows the "9" level

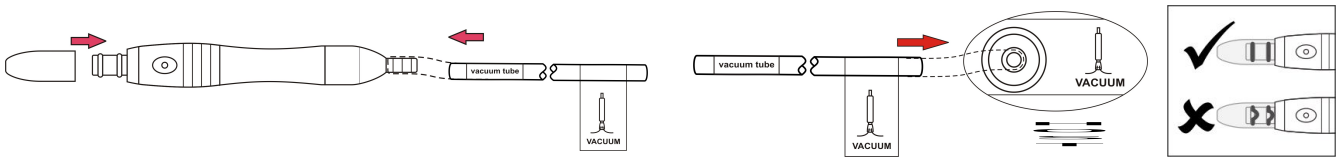
Under this status, it is available to adjust time and energy.

Time setting: press "" and "" to set up the working time of host machine, time range 1~30 min.

Energy adjustment: the default energy is maximum, can not be adjusted.

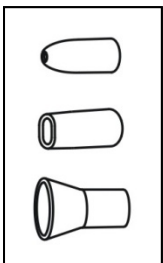
After finished setting, press "start/pause"  or touch the animation display area to start or pause the output for host machine.

How To Use



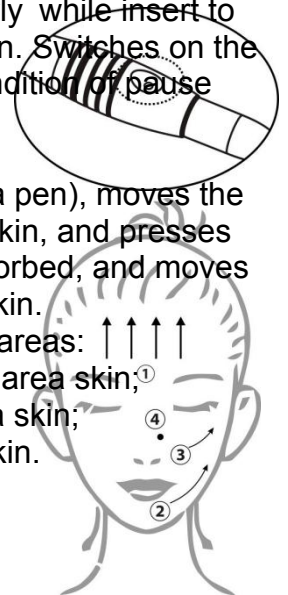
Firstly checks if both ends of vacuum tube connect appropriately with corresponding interface (see the fig. Top); turn-on the end of vacuum bar to check if the sponge filter is available; if no, fill in the sponge filter and fix the vacuum bar; connects the front-end of vacuum bar with transparent sucker. Please be attention when installation, you should rotate the head slowly while insert to make sure the gasket ring keep standard shape, air tightness as picture shown. Switches on the power of host, adjust working time and energy level, and the host is under condition of pause output.

Under the start up of host, hold tightly the vacuum bar by hands (like holding a pen), moves the bar to working location, the nozzle of transparent sucker should contact with skin, and presses slightly the relief-pressure air vent, then the skin contacting with sucker is absorbed, and moves around the bar on related parts, where allows to absorb black head, acne in skin.

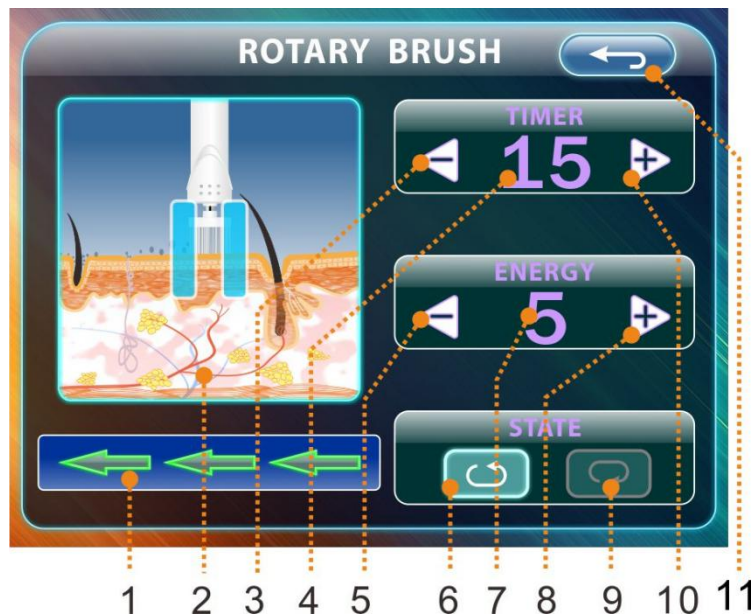


Different suckers should be selected based on the different skin areas:

1. Round let mouth sucker is used for blackheads, acne in small area skin;
2. Flat mouth sucker is used for blackheads, acne in narrow area skin;
3. Horn mouth sucker is used for blackheads, acne in big area skin.



**Rotary brush function :
Control panel instructions**



1. Direction display window: display the current rotation direction
2. Animation display window: display animation and start or pause screen touch control area
3. Time decrease button: to decrease working time
4. Time display window: display the current working time
5. Energy decrease button: decrease the energy output
6. Anticlockwise selection button: select the anticlockwise output
7. Energy display window: display the current volume of output energy
8. Energy increase button: increase the energy output
9. Clockwise selection button: select the anticlockwise output
10. Time increase button: increase the working time
11. Back button: back to function menu

How to use





Under the main menu interface, select the rotary brush function by pressing the "ROTARY BRUSH" to enter the default interface of rotary brush function:

"timer" time display window shows "15" minutes

"energy" energy display window shows the "5" level


Under this status, it is available to adjust time and energy, also can select the rotation direction of brush.

Time setting: press "" and "" to set up the working time of host machine, time range 1~30 min.

Energy adjustment: press "" and "" to control the energy output of host machine, adjustment levels 1~9.

Brush rotation direction selection: select the suitable rotation direction in the "direction" area,"

 for clockwise rotation direction, " for anticlockwise rotation direction

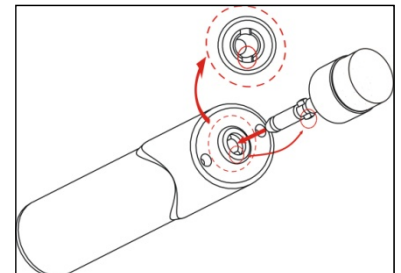
After finished setting, press "start/pause"  or touch the animation display area to start or pause the output for host machine.

change brush:

1. unload brush: hold the brush handle in one hand, and hold the plastic part of the brush by another hand, then pull in opposite direction, and then unload the brush easily by hearing "ka" sound.

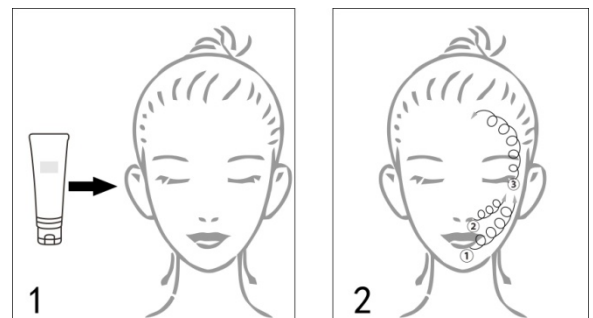
2. setting up brush: hold the brush handle in one hand, and hold the plastic part of the brush by another hand, then rotate and push in opposite direction, and then set up the brush easily by hearing "ka" sound.

3. for unload or set up brush, only can be push or pull the plastic part by hand, but not to do this to the material of brush (e.g. eva or fuzz etc.). Otherwise will make bad effect to work, even destroy brush.



Cleaning skin:

1. firstly use sprayer or clean water softens skin.
2. wipe skin care production (e.g. cleaning milk or cleaning jelly etc.) equably on skin, according to the characteristic and need to cleaning skin area to choose suitable brush and set up on the brush handle, dip a little water on brush and move it to needed to cleaning skin, turn on host machine then can be come to cleaning and massage.
3. keep skin moist during the whole cleaning operation.



Using attention and notices of brush function:

1. Before using this brush to work, please check if brush was insert in the brush handle firstly.
2. Please turn down the rotary speed of brush before touching customers' skin; when touch customers' skin, it must be slightly to avoid causing customer feel uncomfortable.
3. when use brush to cleaning or massaging skin, please use thickness skin care products and turn down rotary speed of brush, in case of skin care products splashed by fast rotary speed and causing waste and pollution.
3. If it is needed to change brush during skin caring, please stop outputting of the host machine. And wait brush stop to unload and setting up.

4. Please clean and sterilize all the used brushes after finishing work, and keep them in the dry place.
5. It cannot clean brush handle by water but wipe it clean by towel and keep it in the dry place.

● specification, model & technical data:

Product name	9in 1 multi-function beauty machine
Product model	H5001
Function	Hot spray, magnifying lamp ,ultrasonic, skin scrubber ,galvanic, high-frequency, rotary brush, spray and vacuum
Rated voltage	Ac 100-120v~
	Ac 220-240v~
Rated working	50/60hz
Output power	800/850 w
Size(length *width*height)	50x50x103cm
Net weight	27.6kg