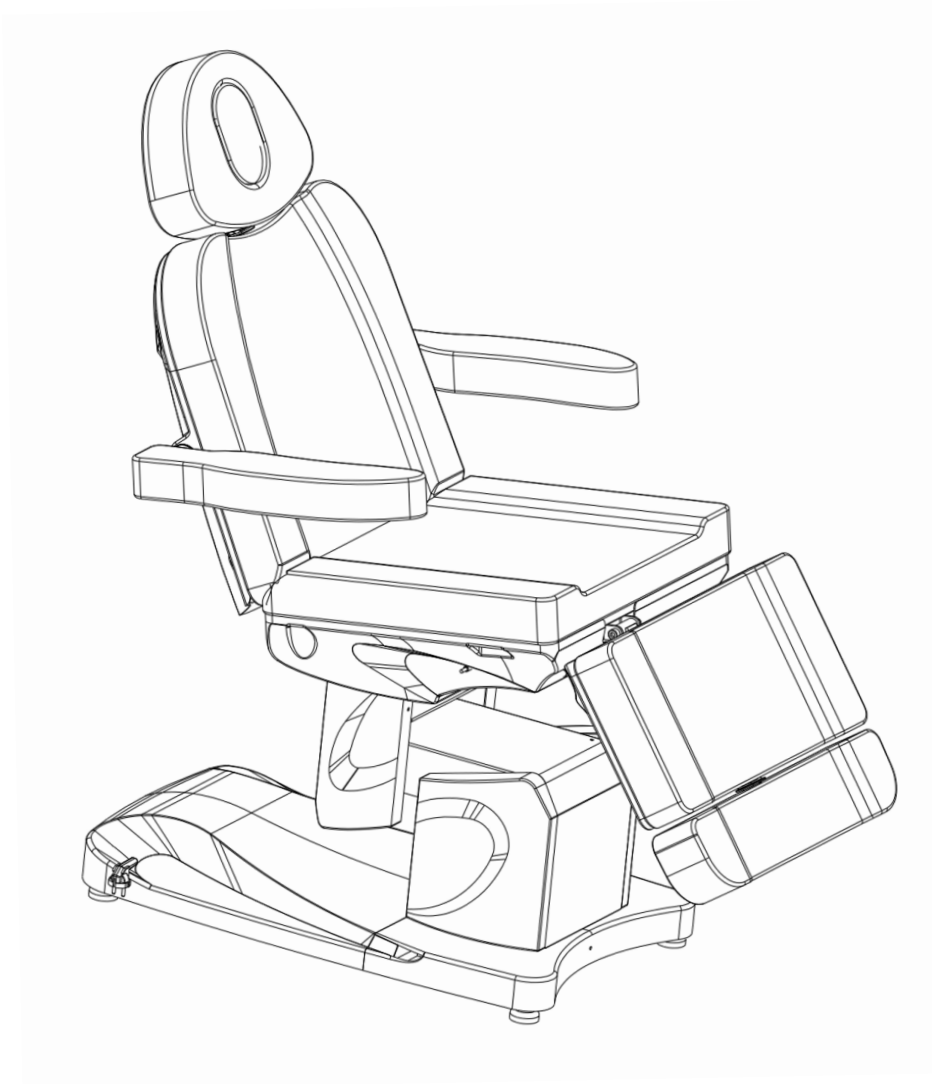


Bellage Electric Treatment Table (Chair) Fully Electric 4 Motor Chair

User Manual



SKIN+ACT

www.skinact.com | www.spaandequipment.com

Toll Free: 1.800.418.0830

Copyright © 2025 SkinAct, All Rights Reserved

NOTICE

No part of this document may be photocopied, reproduced, or translated into any other language without prior written consent of SkinAct.

The information in this document is subject to change without notice at any time and should not be construed as a commitment by SkinAct. SkinAct assumes no responsibility for any errors that may be in this document, nor does it make expressed or implied warranty with regard to this material, including, but not limited to, the implied warranties of merchantability and fitness for a particular purpose.

SkinAct shall not be liable for incidental or consequential damages arising out of the furnishing, performance, or use of this document and the program material which it describes.

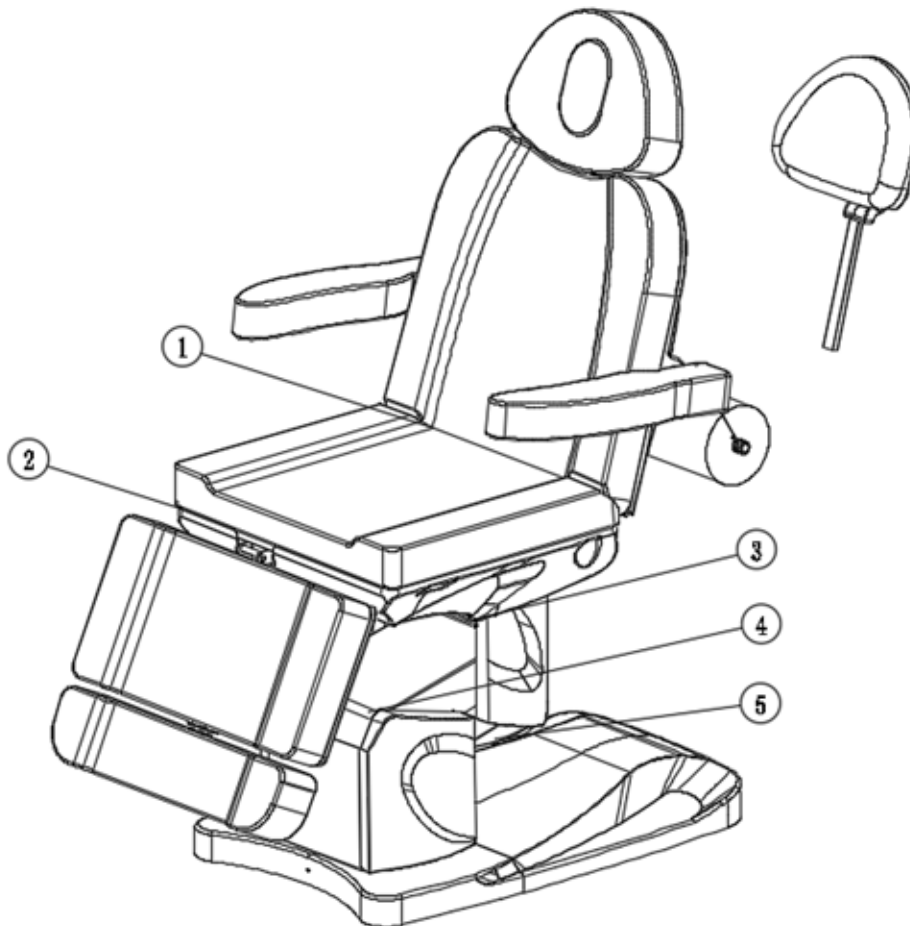
SKIN+ACT

www.skinact.com | www.spaandequipment.com

Toll Free: 1.800.418.0830

Instructions

1. Before connecting, operating, or adjusting this electric beauty bed, please read these instructions carefully and keep this manual for future reference.
2. This bed uses a three-wire power cable. Always insert the plug into a three-hole outlet with a grounded electrode to prevent the risk of electric shock.
3. Ensure that all plugs, buttons, and components connected to the power cable do not come into contact with water or other liquids.
4. When adjusting the height using the hand or foot control, keep hands, feet, head, and other body parts away from moving parts (see figure for details).
5. Do not operate the bed if plugs, buttons, or power cables are damaged.
6. The motor frequency is 6 min/h; do not exceed this usage limit.
7. Only trained personnel should perform maintenance.

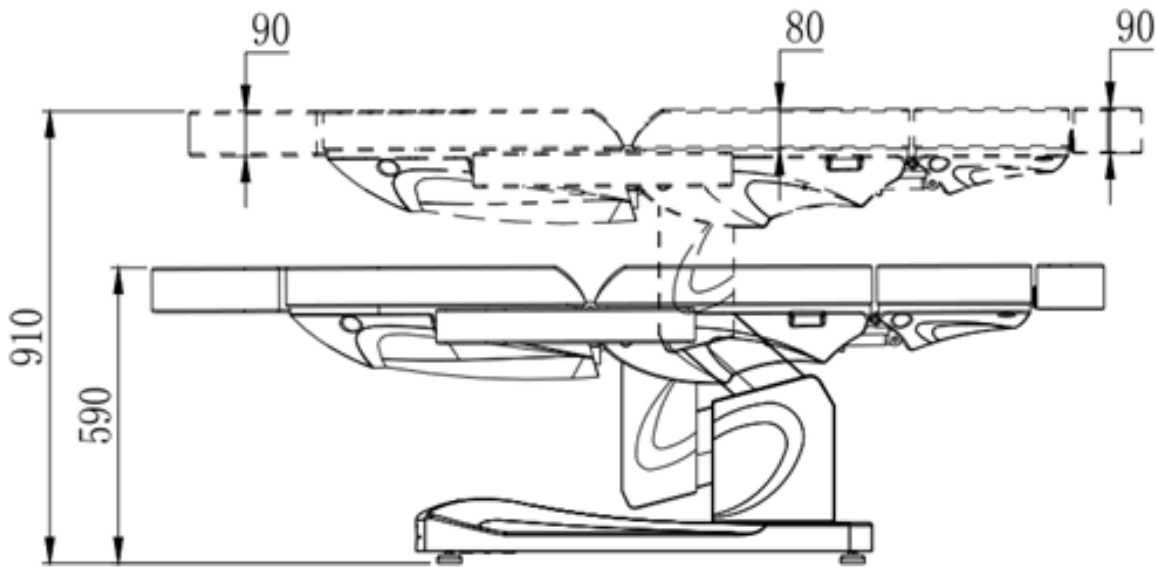


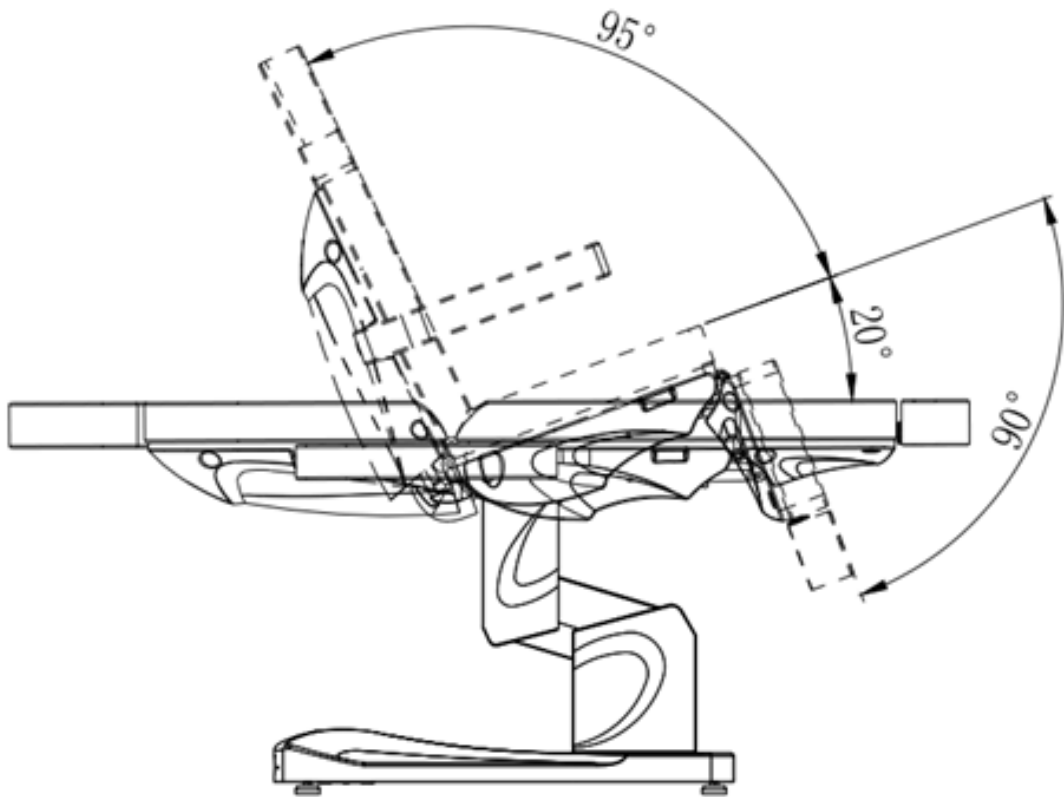
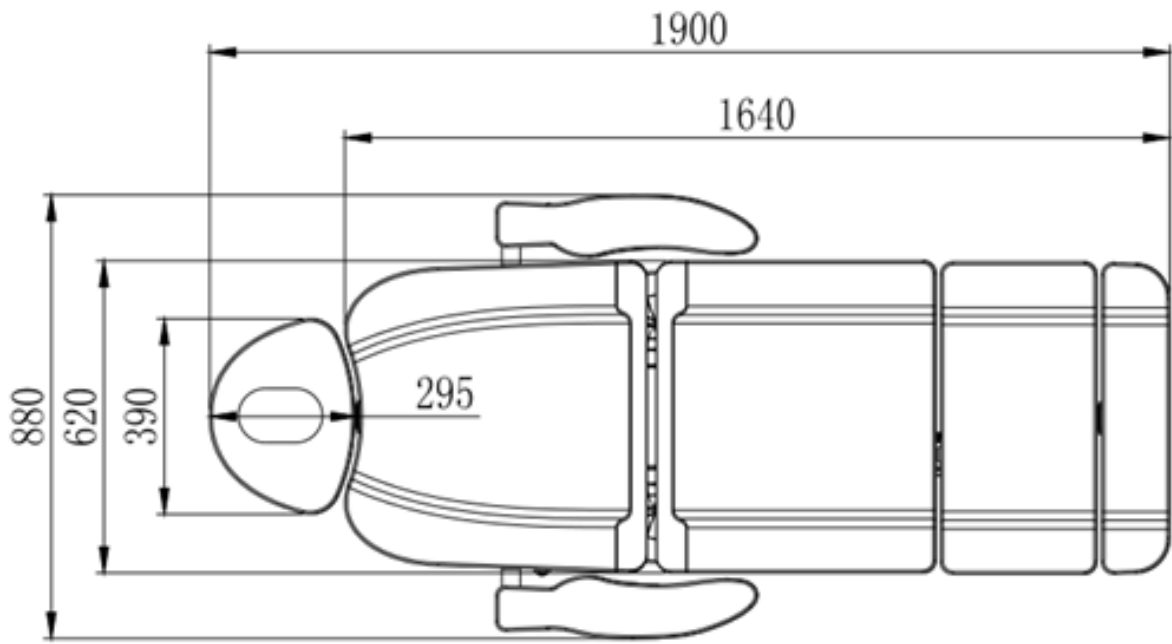
Warnings

1. Individuals with osteoporosis, heart problems, or other serious medical conditions should not use this massage chair.
2. Pregnant or menstruating women should not use this product.
3. Do not use if injured, disabled, or unconscious.
4. Children under 14 must be supervised at all times.
5. Inspect and repair any damaged power cables before use. Only professionals should perform repairs.
6. Always use the correct voltage. Using the wrong voltage can damage the product.
7. Do not touch the power plug with wet hands.
8. Plug in the product only after installation is complete.
9. Position the power cable to avoid tripping hazards.
10. Clean the surface with a soft towel and diluted neutral detergent.
11. Always unplug when not in use.

Specifications

- Size: 1900 × 880 × 590 mm
- Lowest height: 590 mm
- Highest height: 910 mm
- Net weight: 166 lbs
- Gross weight: 205 lbs
- Load capacity: 445 lbs
- Padding: Sponge
- Upholstery: PU/PVC leather
- Input voltage: AC 100–130V / 220–240V, 50/60 Hz
- Output voltage: DC 24V
- Rated power: 110W

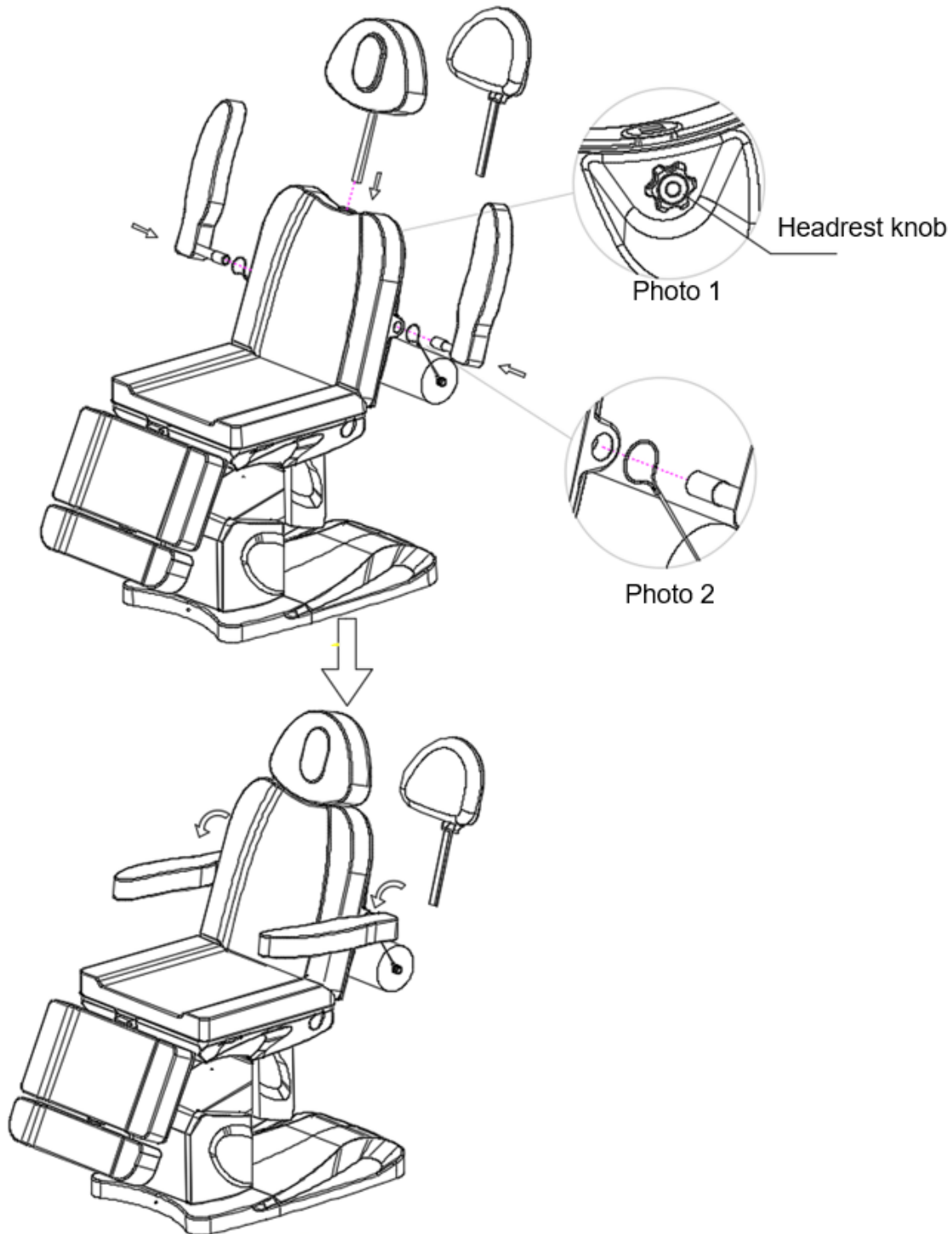




Installation

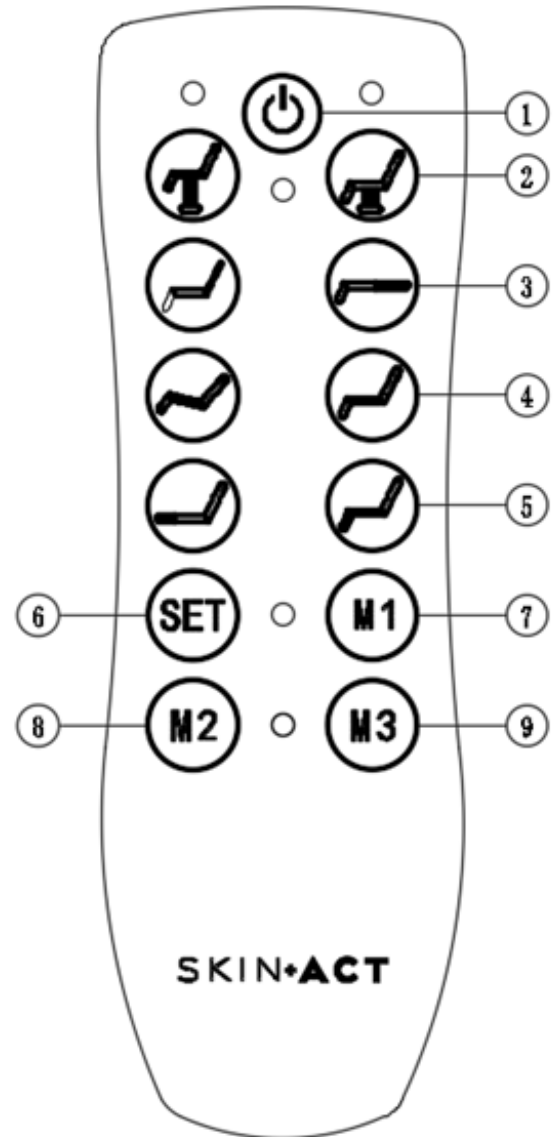
1. Headrest: Connect the headrest to the bed and adjust the height by loosening the knob (see Photo 1).

2. Armrests: Insert the left and right armrest rods into the slots on the bed at a 90° angle. Rotate 90° counterclockwise to lock (see Photo 2).



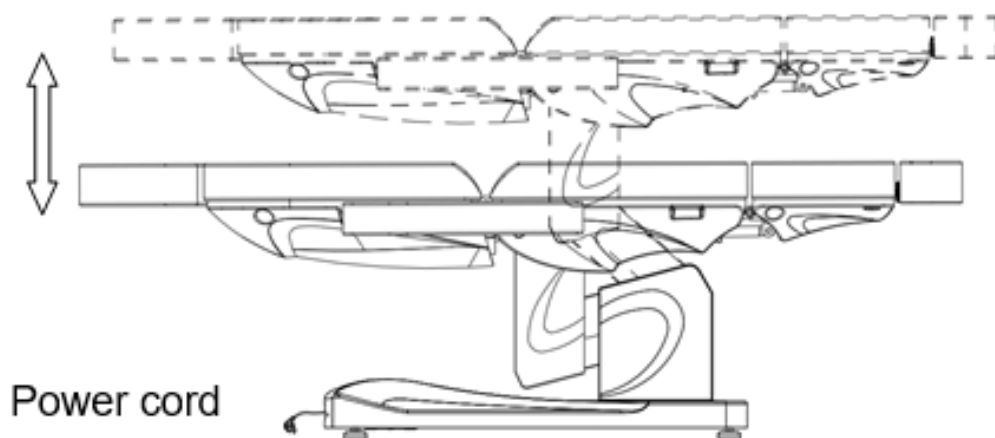
Manual Controller Usage

1. SW1: Power button – Press to turn controller on/off.
2. SW2: Adjust overall bed height (up/down).
3. SW3: Adjust backrest angle.
4. SW4: Adjust seat tilt angle.
5. SW5: Adjust leg/foot angle.
6. SW6–SW9: Automatic modes – preset height and angle adjustments.
7. SET + M1/M2/M3: Save custom memory positions.

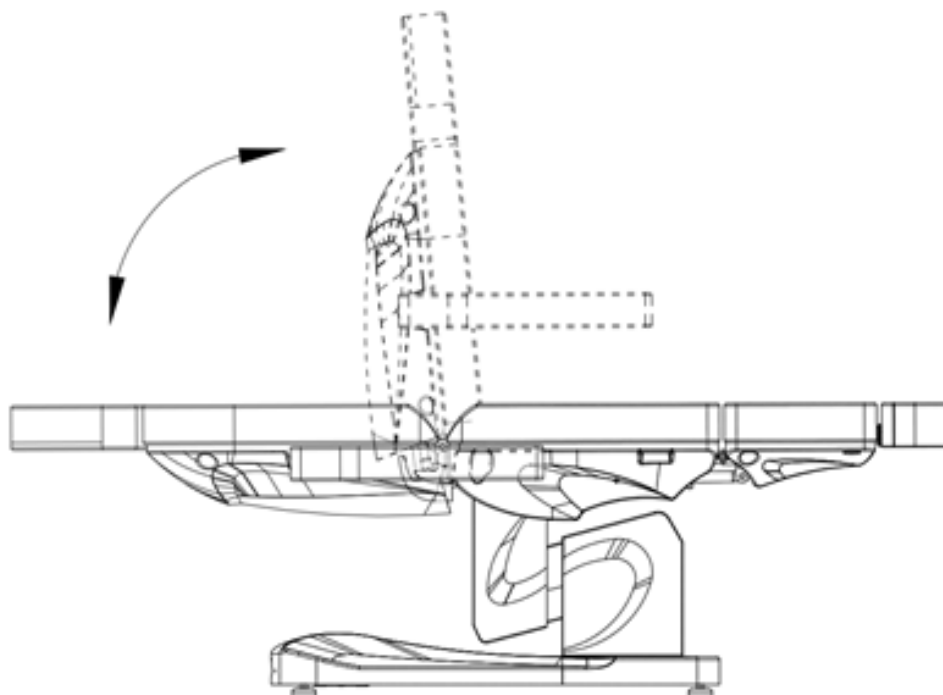


Adjustments

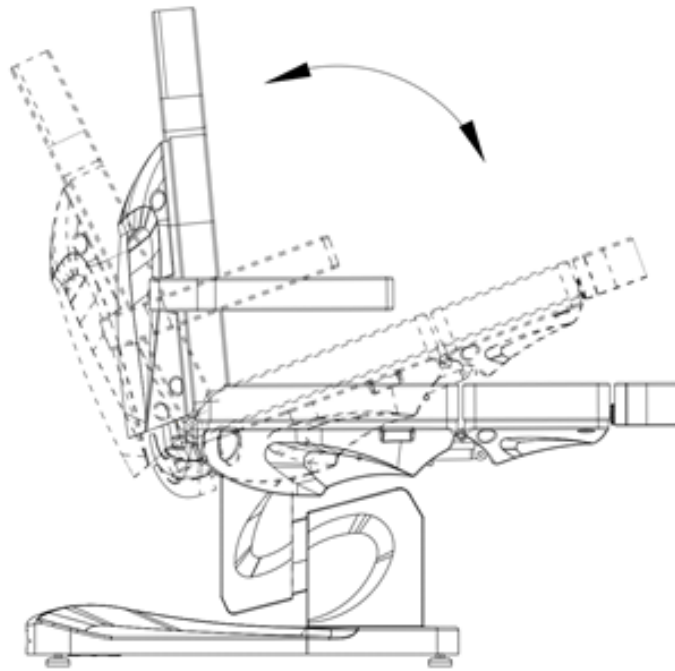
Height: Press ▲ or ▼ to raise or lower the bed.



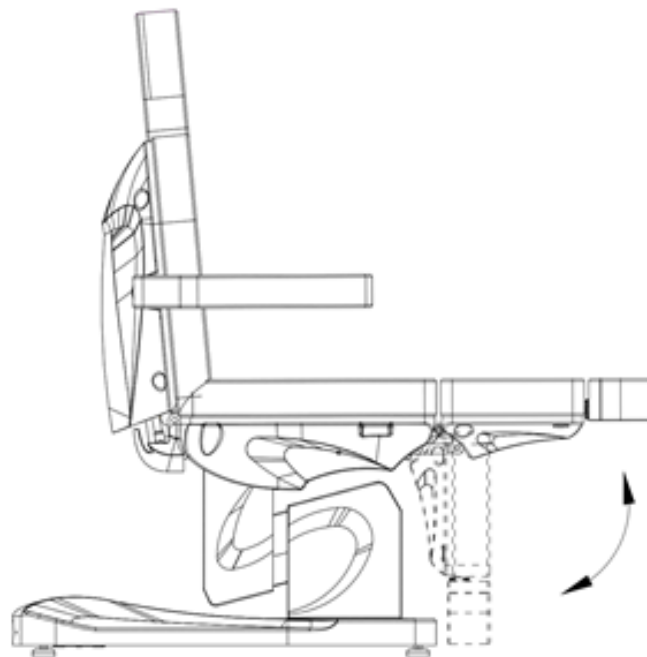
Backrest: Press ◀ or ▶ to adjust the backrest angle.



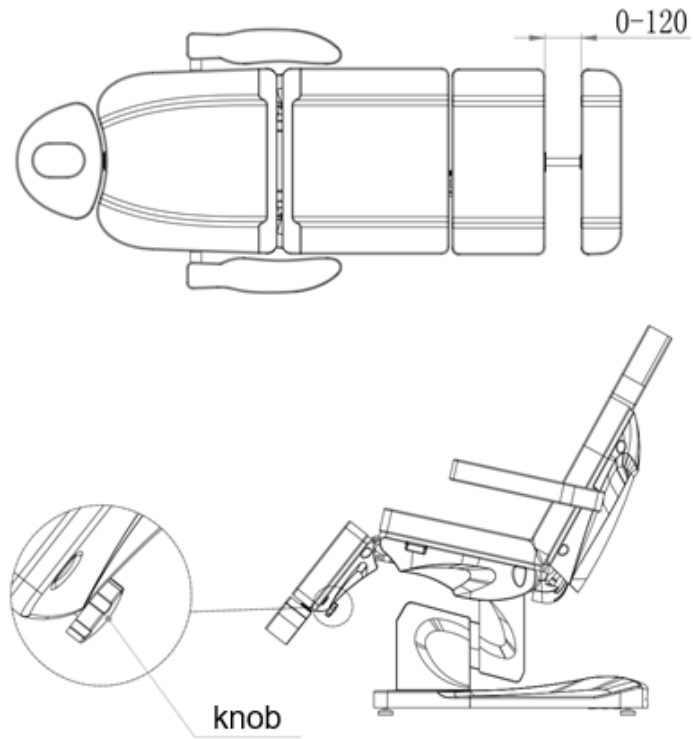
Seat Angle: Press ◀ or ▶ to adjust the seat tilt.



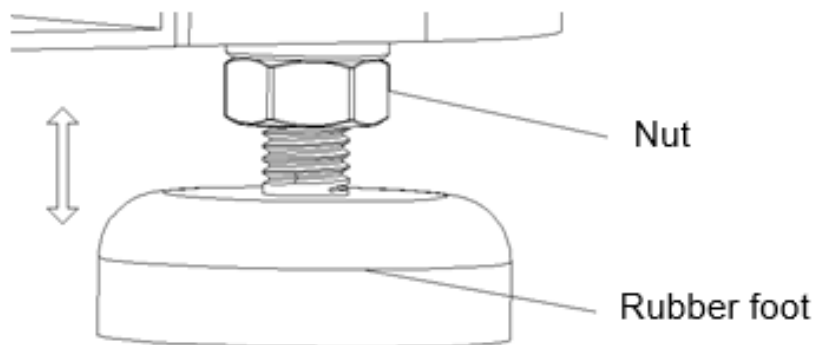
Footrest: Press ◀ or ▶ to adjust the footrest angle.



Extension Footrest: Loosen the knob at the bottom of the footrest to extend or shorten its length.



Rubber Feet: Rotate the nut to adjust height and stabilize on uneven ground.



Maintenance

- Daily Cleaning: Wipe dust with a soft, dry towel.
- Heavy Dirt: Use a soft towel with diluted neutral detergent, then wipe dry.
- Do Not Use: Benzene, gasoline, or strong solvents (may damage the leather).
- Storage: Keep away from direct sunlight and moisture.
- Operating Range: -5°C to 50°C; Humidity 45%–85%.

Fault Diagnosis

Problem	Cause	Solution
Remote unresponsive	1. Power switch off	Turn on controller switch
	2. Function already at max	Try another control button
	3. Power plug loose	Reconnect plug
	4. Transformer plug loose	Reconnect securely
Noise/shaking during movement	Loose screws	Tighten screws
Light off, switch on	Fuse burned out	Replace fuse
Hand control not lighting	Control line loose or faulty	Reinsert or replace control line

Remarks

Product improvements may be made without prior notice if they do not affect appearance or function.