

Bents Electric Medical Spa Treatment Table User Manual



SKIN+ACT

Toll Free: 1.800.418.0830

www.skinact.com
www.spaandequipment.com

International: 818.834.6640

NOTICE

No part of this document may be photocopied, reproduced, or translated into any other language without prior written consent of Spa and Equipment/SkinAct.

The information in this document is subject to change without notice at any time and should not be construed as a commitment by Spa and Equipment/SkinAct.

Spa and Equipment/SkinAct assumes no responsibility for any errors that may be in this document, nor does it make expressed or implied warranty with regard to this material, including, but not limited to, the implied warranties of merchantability and fitness for a particular purpose.

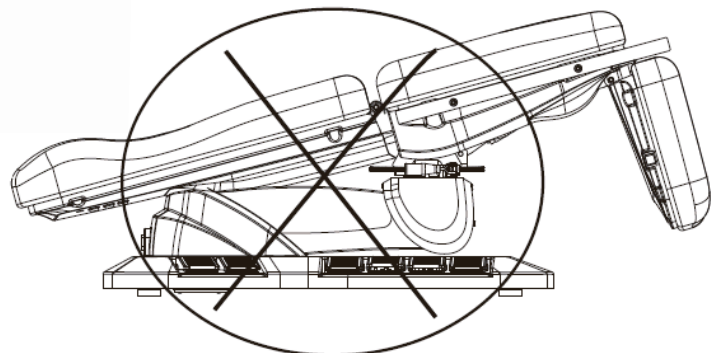
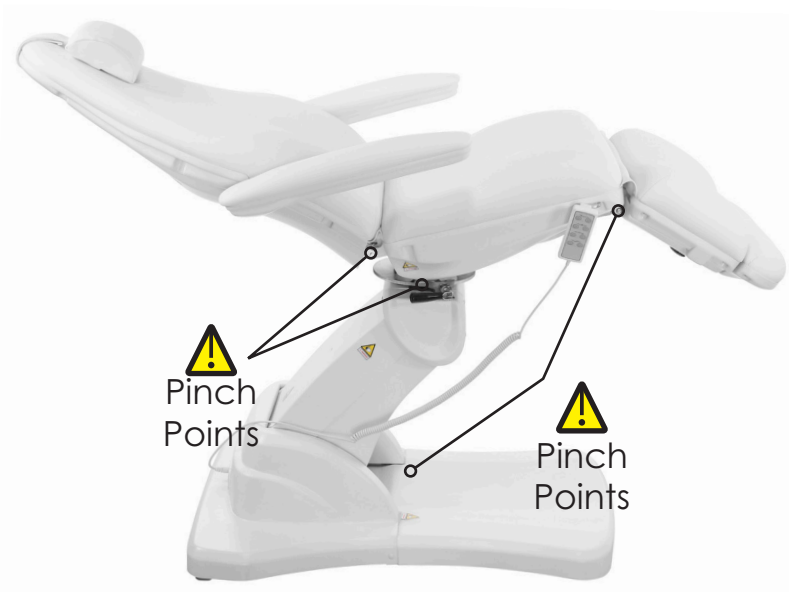
Spa and Equipment/SkinAct shall not be liable for incidental or consequential damages arising out of the furnishing, performance, or use of this document and the program material which it describes.

SKIN+ACT

Toll Free: 1.800.418.0830	www.skinact.com www.spaandequipment.com	International: 818.834.6640
---------------------------	--	-----------------------------

Precautions

- Read this manual carefully before installation and operation.
- No one should ever sit on the foot rest or backrest areas.
- This unit should only be operated by trained professionals.
- Keep children from using or playing on the unit.
- Do not stand on any portion of the unit.
- Ensure the unit is kept dry and free of water. Also, make sure any attachments like remote controls are free of water.
- When operating the unit, ensure that your and your clients' hands or other body parts cannot be pinched by the moving parts (see pinch points below).
- When in decline position use caution when lowering the unit for damage.
- If you have gone through the troubleshooting steps in this manual and an issue persists, please call Spa and Equipment/SkinAct for further assistance: 1 (800) 418-0830
- **OPERATE AT YOUR OWN RISK AND USE COMMON SENSE:
OWNER/OPERATOR IS RESPONSIBLE FOR HIS/HER OWN SAFETY
AS WELL AS ANYONE NEAR OR ON THE UNIT.**



Removing From The Box

- To see a video about removing your item from the box, visit <https://youtu.be/OGIz0NLdW1I> or scan the QR code below.



Scan to see
video

INSTRUCTIONS

- When you receive the box, carefully cut the tape on the top flaps and open the top (see photo below).



- Then you can cut one short side of the box and lay it down. This makes it easier to carry the item out of the box.
- **Make sure to cut from the inside of the box.** This helps to protect from accidentally cutting your unit.



Removing From The Box

- **Please keep all packaging materials.** This helps in the event that you need to return the unit for whatever reason.
- **TEAM LIFT:** Make sure to have at least two people to lift and move the unit.
- Do not lift from the head rest or foot rest areas.
- For this unit, it is best to lift with one hand on the metal where the arm rest connects to the unit (1) and another hand where the hand remote goes (2). **Do not grab the metal hook that the hand remote hooks onto.**

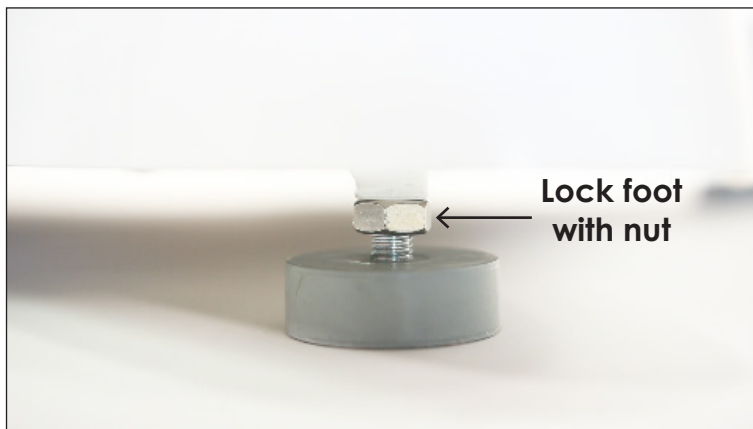
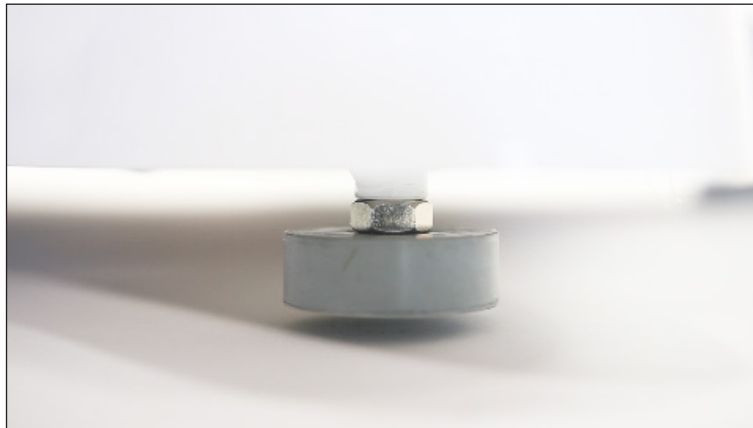


- Lift the unit with your partner and walk it out of the box.
- We recommend setting the unit on a furniture dolly or pallet jack when and where it is practical to use one. Otherwise, you can carry the unit to your desired location.



Installation

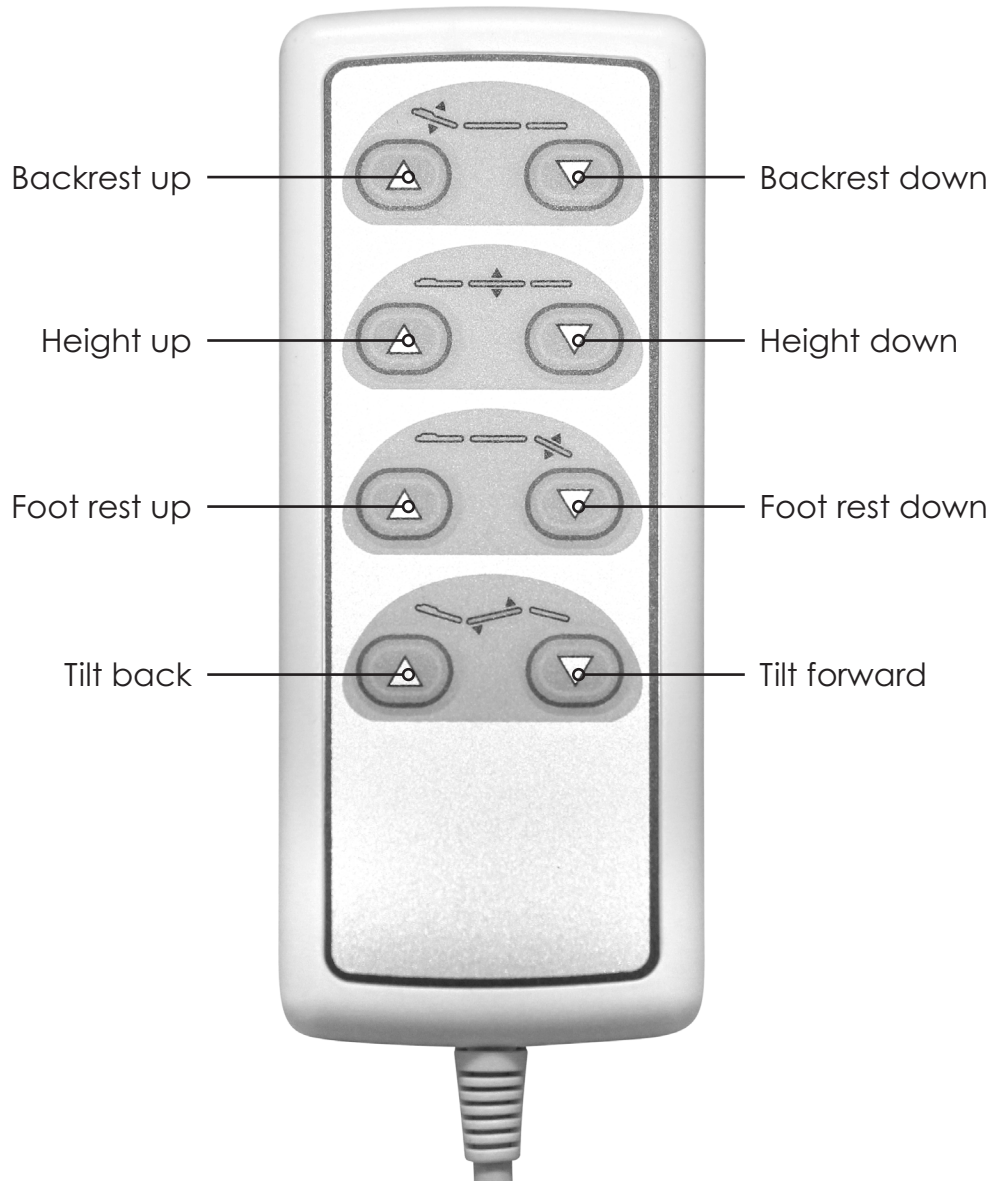
- **Please keep the all packaging until you test all the functions.**
- Place the unit in the desired location in your space. Attach the arm rests, head rest, and any other accessories.
- Ensure the ground below the bed is flat and not wet or slippery.
- If the bed wobbles on your floor, adjust the **leveling feet** (photo below) by spinning them to raise or lower them. The foot that the clears the floor when you rock the table is the one that will need adjustment.
- Once you have extended one of the feet to fix the wobbling, if your feet have an adjustable nut like in the photos below, you can spin the nut up until it reaches the metal of the base.



- Ensure the power cable is connected to the unit and plug it into an appropriate wall outlet.
- Test all of the motor functions on the unit. Ensure the hand remote works as it should.

Hand Remote Use

Please see below to see what each button does.



Measurements



Measurements



Dimensions/Specifications

- Length without leg rest extended: 77"
- Length with leg rest extended: 83"
- Width without arm rests: 22"
- Width with arm rests on: 32"
- Heights: 25" - 37"
- BASE ONLY Dimensions: 39" L x 26" W
- Manual chair rotation: 90° (0-45° to each side)
- Backrest angle: 0° to +85°
- Seat angle: -4° to +10°
- Footrest angle: 0° to -75°
- Max load capacity: 350 lbs
- Colors available: White or Black

* All height measurements are from the ground to the top of the cushion*

** All measurements have a 0.25 to 0.75 inch tolerance **

Maintenance

- When cleaning and sanitizing, **do not use bleach, Bar-bicide, or other harsh chemicals**. Using harsh chemicals can damage the upholstery.
- Simple Green or upholstery cleaners work great for cleaning the upholstery. We recommend using Lysol Wipes for sanitizing the upholstery.
- Clean and sanitize the upholstery after each treatment.
- Every six months, visually inspect the parts of the unit. If there are any abnormal noises or vibrations during operation, call Spaandequipment/SkinAct and describe the situation.

Troubleshooting

Issue	Possible Reason	Solution
Motorized sections not moving.	The power cord is not connected properly.	1) Ensure outlet is working. 2) Ensure cord is connected well.
	Hand (or foot) remote is not working.	1) Ensure hand (or foot) remote is plugged in well. 2) Replace the hand (or foot) remote.
	Control box not working.	1) Contact Spaand-equipment/SkinAct Technical Department: 1(800)418-0830
Abnormal sounds or vibrations.	Parts need lubricating oil.	1) Add lubricating oil.
	Motor quality issues.	1) Contact Spaand-equipment/SkinAct Technical Department: 1(800)418-0830

Warranty

- This item has a 1-year limited warranty for malfunctions and manufacture defects only (parts, labor, and shipping not included). **THIS WARRANTY IS VOID IN THE EVENT EQUIPMENT IS DAMAGED BY IMPROPER USE.**
- To read the full Warranty Policy, please visit <https://www.spaandequipment.com/Return-Warranty-Repair-Policy.html> or scan the QR code below.

Scan for
warranty

