

SkinAct Cabo Treatment Table (Facial, Massage Table) (SKU23754)



SKIN+ACT

Toll Free: 1.800.418.0830

www.skinact.com
www.spaandequipment.com

International: 818.834.6640

NOTICE

No part of this document may be photocopied, reproduced, or translated into any other language without prior written consent of Spa and Equipment/SkinAct.

The information in this document is subject to change without notice at any time and should not be construed as a commitment by Spa and Equipment/SkinAct.

Spa and Equipment/SkinAct assumes no responsibility for any errors that may be in this document, nor does it make expressed or implied warranty with regard to this material, including, but not limited to, the implied warranties of merchantability and fitness for a particular purpose.

Spa and Equipment/SkinAct shall not be liable for incidental or consequential damages

SKIN+ACT

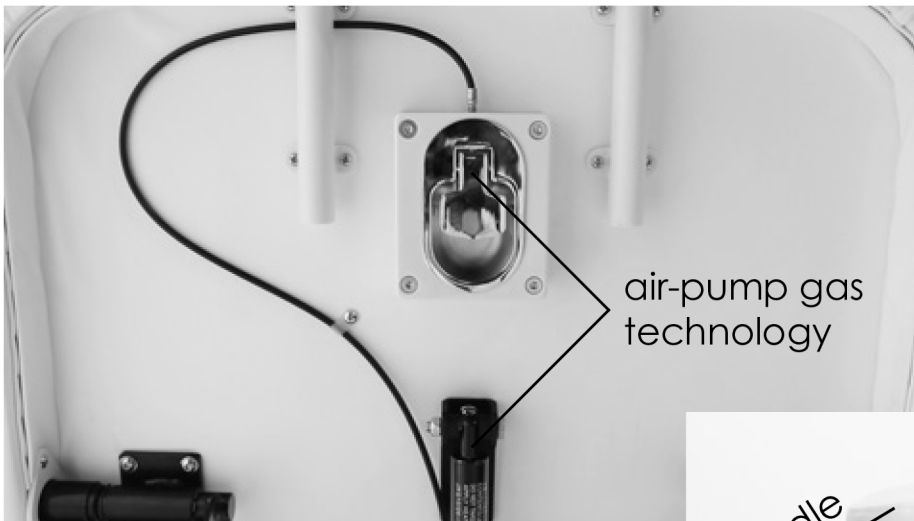
Toll Free 1.800.418.0830	www.skinact.com www.spaandequipment.com	International 818.834.6640
------------------------------------	--	--------------------------------------

HIGHLIGHTS

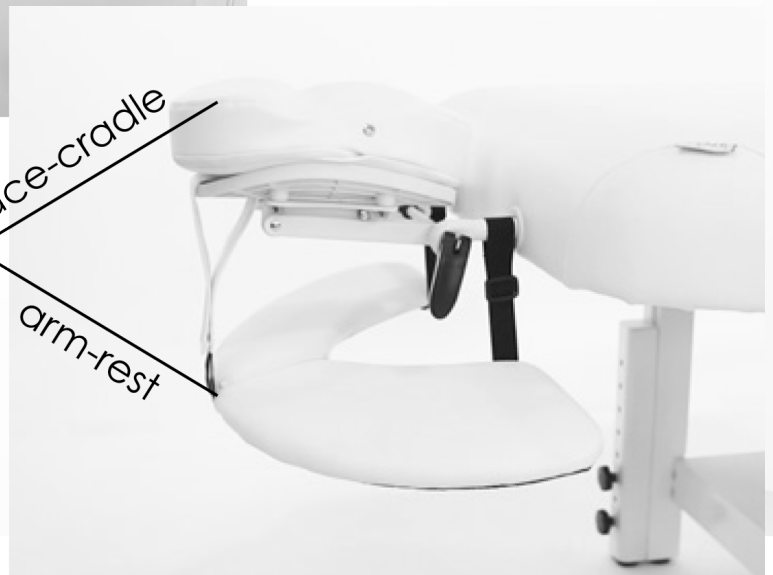
The Cabo Treatment Table is exceptionally sturdy and comfortable. The backrest and leg rest can be easily adjusted with air-gas pump assists on both ends. Beneath the cushions, there is ample storage space for towels, tools, products, and more. It also includes a complimentary face cradle and arm rest, ideal for clients during face-down treatments.

Features

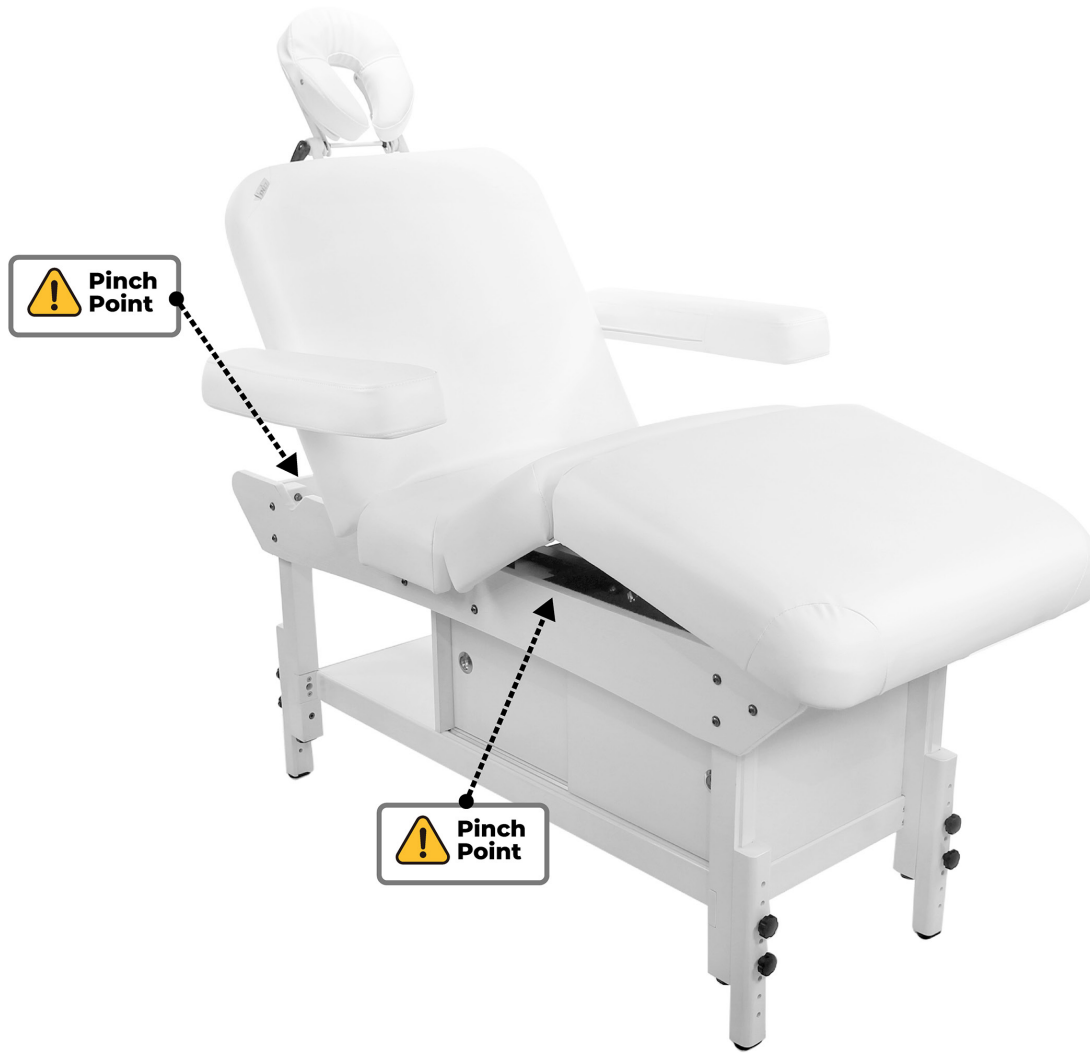
- **Free face cradle and arm rest**
- **Heavy-duty facial table/chair**
- **Reversible and removeable arm rests**
- **Super-duty, stable base**



face-cradle
arm-rest



IMPORTANT INSTRUCTIONS



Cautionary and Suggested Instructions:

1. Before connecting, operating, or adjusting this electric beauty bed, please read the following instructions carefully and retain this manual for future reference.
2. **Pinch Points:** When using the hand or foot control to adjust the height of the bed, avoid placing your hands, feet, head, or any other body parts in Pinch Points areas as indicated in the photo above.
3. Maintenance must be performed by trained professionals.

IMPORTANT SAFETY INSTRUCTIONS

1. This product should not be used by individuals with osteoporosis or heart conditions.
2. This product is not recommended for pregnant women or those who are menstruating.
3. The product is not suitable for individuals with physical injuries or skin conditions.
4. Children under 14 years of age and individuals with cognitive impairments should not use this product unsupervised.
5. Use a soft towel with diluted neutral detergent for surface cleaning.
6. Do not disassemble the product without authorization. Please contact the local provider for repair and maintenance.



MAINTENANCE INSTRUCTIONS

Daily Cleaning

Use a soft, dry towel to wipe away dust.

Removing Heavy Dirt

As we know, it can be difficult to remove heavy dirt with a regular dry towel. In this case, use a soft towel with diluted neutral detergent for cleaning, followed by a dry towel to wipe it down.

Storage and Operating Environment

Do not place the product in direct sunlight or a humid environment, as this may cause damage.

Operating Conditions

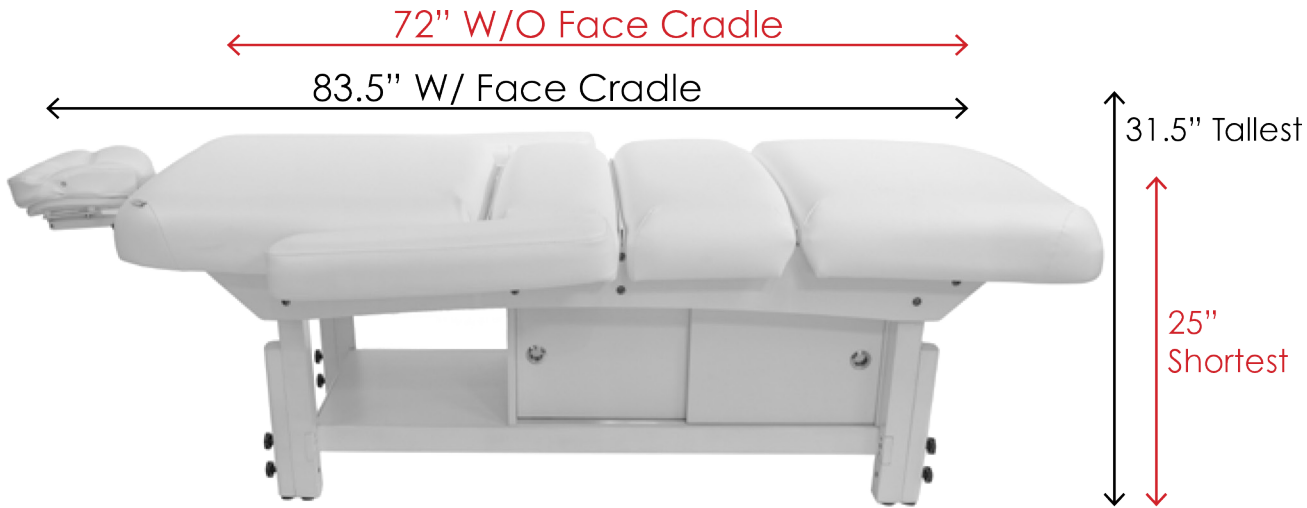
This product can be used in temperatures ranging from -5°C to 50°C , with humidity levels between 45% and 85%.

Do Not Use Benzene, Thinner, Gasoline, or Other Solvents

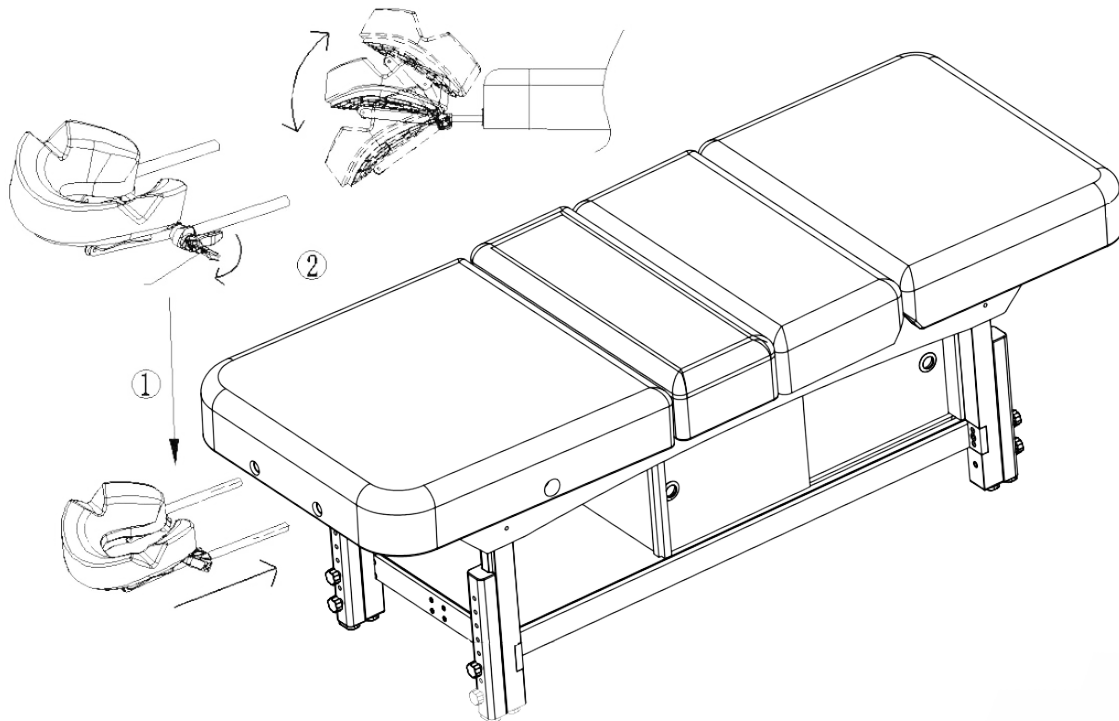
These solvents may damage the leather or cause corrosion to the product's exterior.



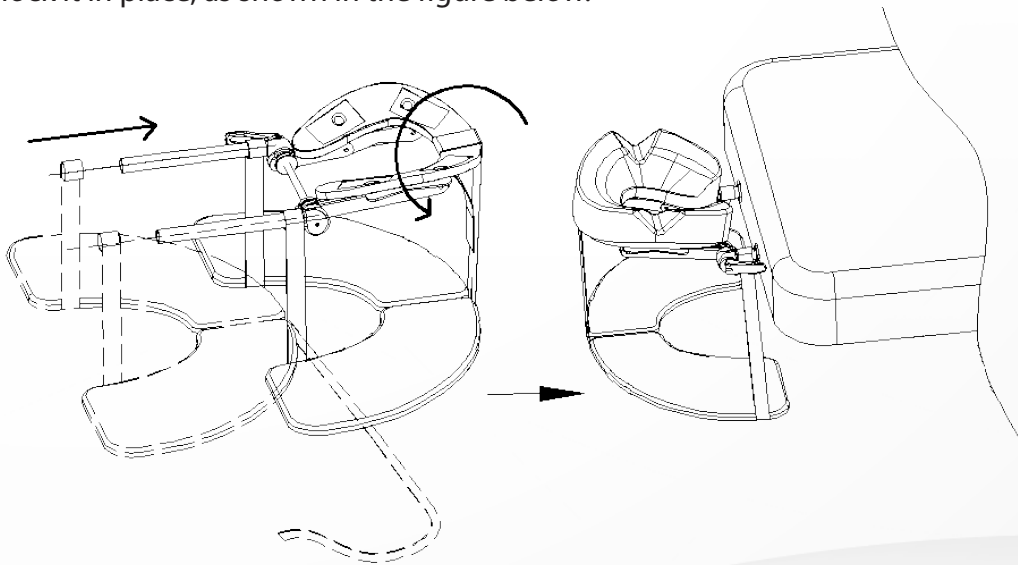
MEASUREMENTS



INSTRUCTIONS FOR USE

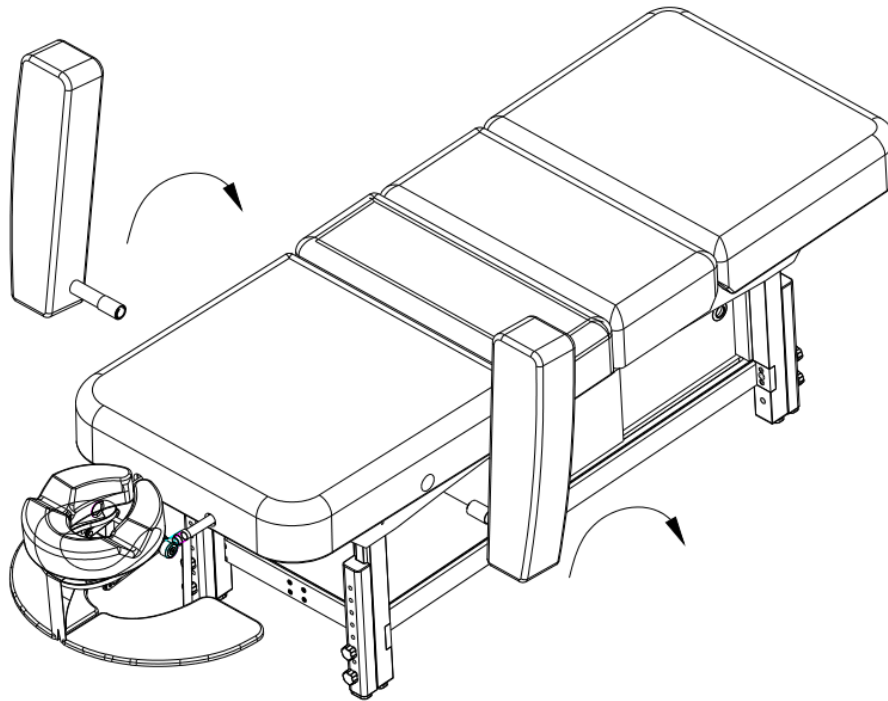


Installing the Pillow: First, loosen the handle on the headrest. Insert the two prongs of the headrest into the two corresponding holes on the bed. Adjust the angle of the pillow up or down as needed, then lower the handle to lock it in place, as shown in the figure below.

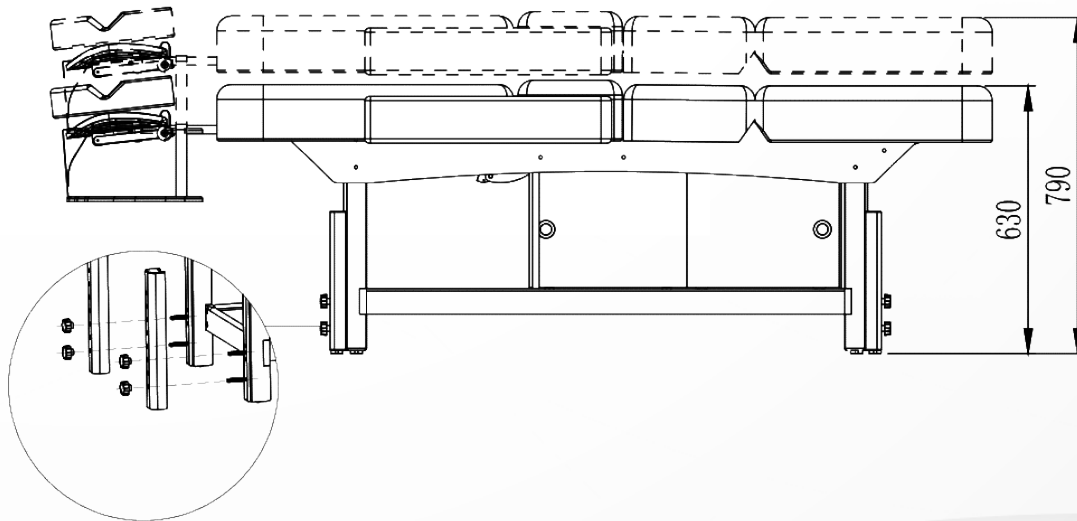


Installing of Hanging Pillow: First, attach the hanging pillow to the insert pillow, then install it onto the bed for use, as shown in the figure above.

INSTRUCTIONS FOR USE

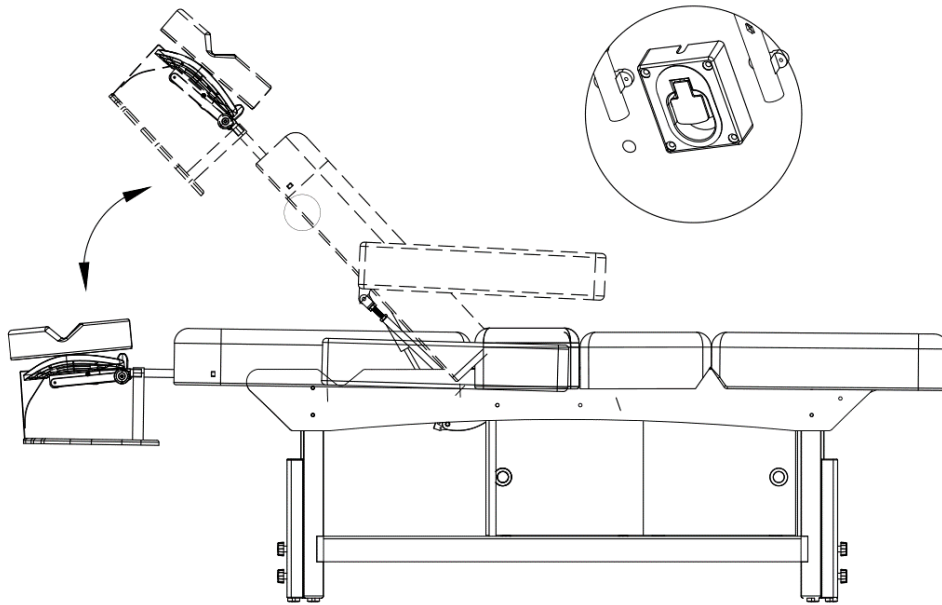


Installing Armrests: Insert the left (or right) handrail connecting rod into the mounting hole on the left (or right) side of the bed, then turn it clockwise by 90 degrees, as shown in the figure above.



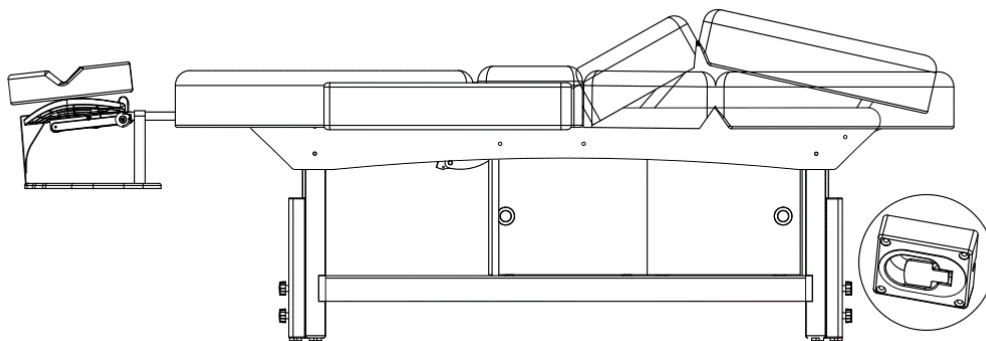
Height Adjustment: The plum knob allows you to adjust the height of the wooden legs. Please refer to the picture above for guidance.

INSTRUCTIONS FOR USE



Backrest Angle Adjustment:

1. Pull up the adjuster piece with your hand; the backrest will tilt upward. Release your hand to lock the angle when the backrest reaches the desired position, as shown in the figure below.
2. To reduce the tilt of the backrest or return it to the horizontal position, pull up the adjuster tab with your hand while pressing down on the backrest, as shown in the figure below.



Footrest Tilt Angle Adjustment:

1. Pull up the adjusting piece of the adjuster with your hand; the footrest will tilt upward. Release your hand to lock the angle when the footrest reaches the desired position, as shown in the figure below.
2. To reduce the tilt of the footrest or return it to the horizontal position, pull up the adjuster tab with your hand while pressing the footrest downward, as shown in the figure below.

SPECIFICATIONS

Movements

Manual backrest angle adjustment (air-gas pump assisted)

Manual leg rest angle adjustment (air-gas pump assisted)

Manual table height adjustment

Note: The backrest and leg rest sections operate independently of each other

Dimensions

Length without face cradle attached: 72"

Length with face cradle attached: 83.5"

Length with face cradle attached and extended: 87"

Width without arm rests: 27.5"

Width with arm rests: 40.5"

Heights: 25" – 31.5"

Base dimensions (BASE ONLY): 52.5" x 20"

Backrest adjustment from 0° flat to 57° incline

Cushion thickness: 3.5"

Open shelf dimensions: 17"D x 16"W x 10.75"H

Shelf behind sliding doors: 13.25"D x 28"W x 10.75"H

Weight: 158 lbs

* All height measurements are from ground to top of cushion

* All measurements have a 0.25 to 0.75 inch tolerance

Warranty Information

1-Year Warranty

TROUBLESHOOTING

If you encounter a malfunction while using this product, please try the following troubleshooting and corrective actions:

Issue	Diagnosis	Solution
Strange noise and shaking during bed lifting	Loose screws	Tighten each screw

