

Daytona Massage Table Specifications Sheet



SKIN+ACT

Toll Free: 1.800.418.0830

www.skinact.com
www.spaandequipment.com

International: 818.834.6640

NOTICE

No part of this document may be photocopied, reproduced, or translated into any other language without prior written consent of Spa and Equipment/SkinAct.

The information in this document is subject to change without notice at any time and should not be construed as a commitment by Spa and Equipment/SkinAct.

Spa and Equipment/SkinAct assumes no responsibility for any errors that may be in this document, nor does it make expressed or implied warranty with regard to this material, including, but not limited to, the implied warranties of merchantability and fitness for a particular purpose.

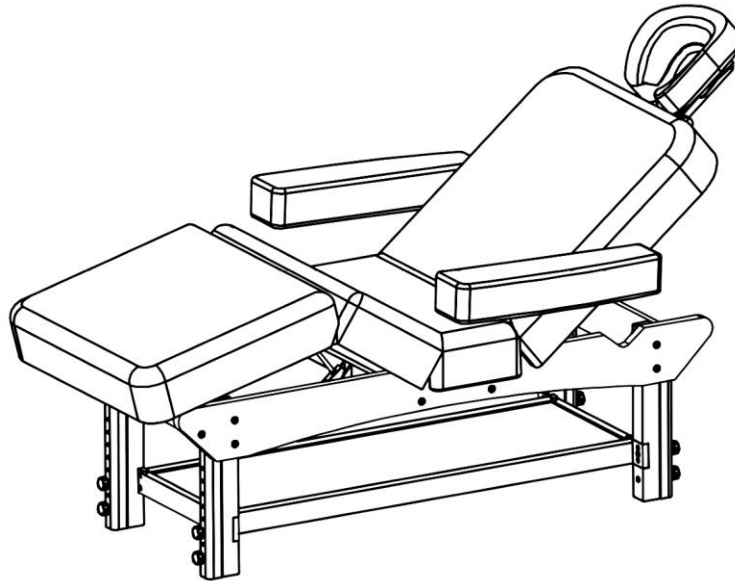
Spa and Equipment/SkinAct shall not be liable for incidental or consequential damages arising out of the furnishing, performance, or use of this document and the program material which it describes.

SKIN+ACT

Toll Free: 1.800.418.0830	www.skinact.com www.spaandequipment.com	International: 818.834.6640
---------------------------	--	-----------------------------

Cautionary and Informative Instructions:

- Before connecting, operating, or adjusting this beauty bed, please read the following instructions carefully and keep this manual in a safe place.
- When adjusting the bed, do **not** place your hands, feet, or head near positions ① and ② as shown in the diagram below.
- Maintenance must be performed by trained professionals only.

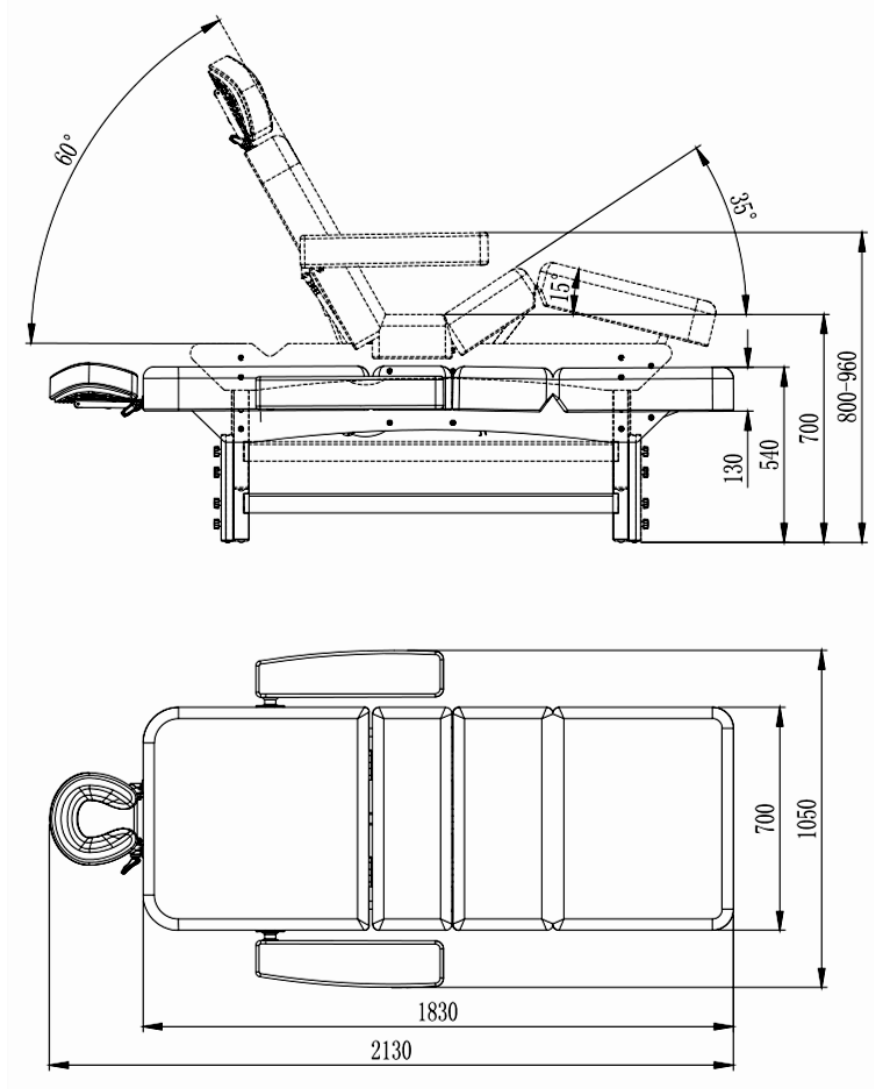


Precautions:

1. Individuals with osteoporosis or heart conditions should not use this product.
2. Pregnant or menstruating women should avoid using this product.
3. Do not use this product if you have physical injuries or skin conditions.
4. Children under the age of 14 and individuals with impaired consciousness must not use this product without supervision.
5. Do not use the product until installation is fully completed.
6. For surface cleaning, use a soft towel moistened with a diluted neutral detergent.
7. Unauthorized personnel must not disassemble or assemble the product. For repairs and maintenance, please contact your local service provider.
- 8.

Technical Parameters:

- Dimensions: 2130 × 1050 × 540 mm
- Minimum Height: 540 mm
- Maximum Height: 700 mm
- Net Weight: 57 kg
- Gross Weight: 74 kg
- Weight Capacity: 200 kg
- Cushion Material: Sponge
- Upholstery Material: PU / PVC

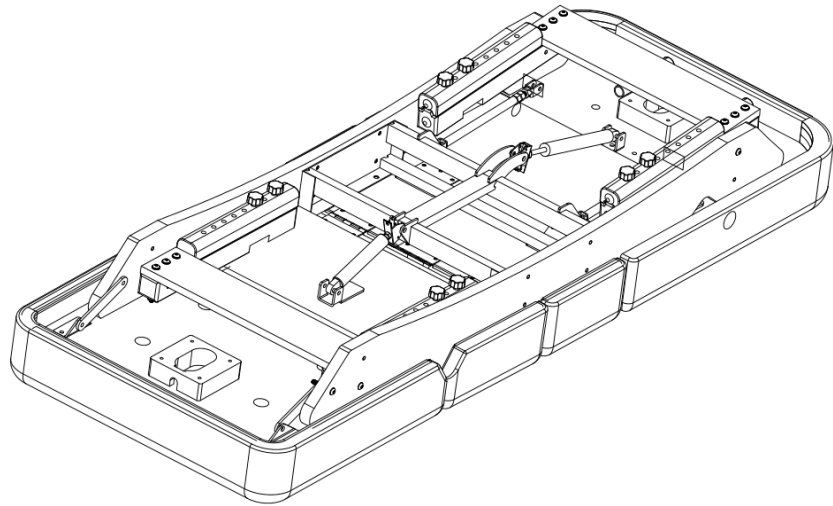


Installation Instructions:

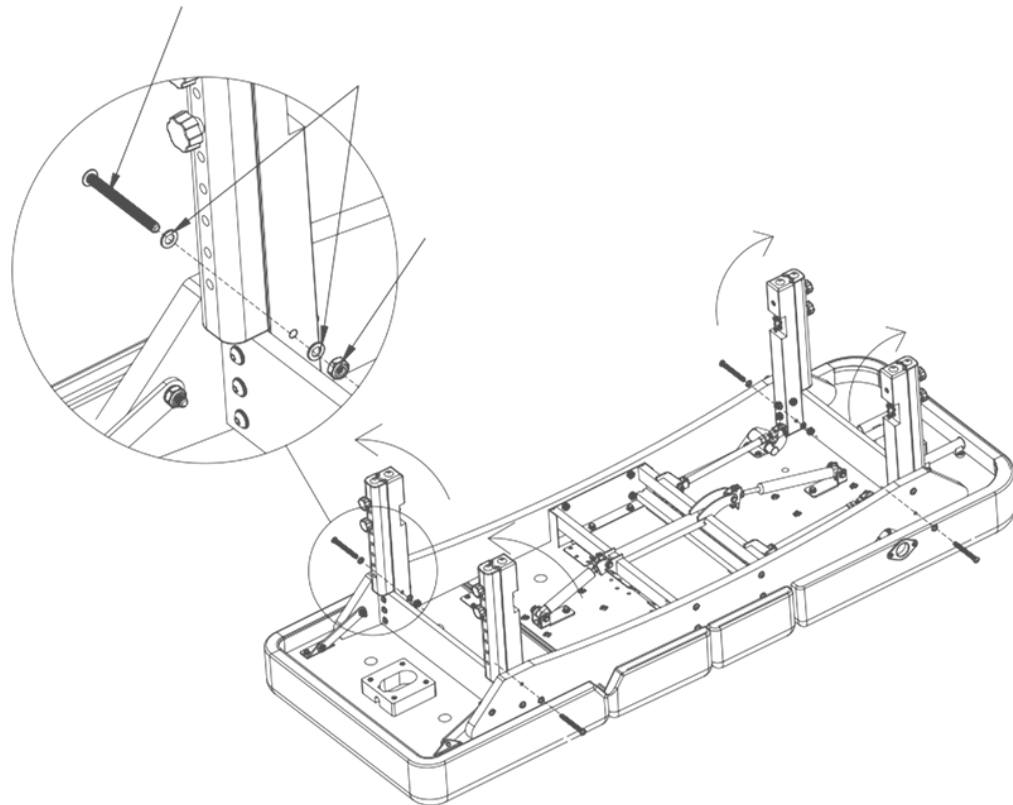
Installing the Wooden Feet:

Unpack the product and lift the two wooden feet of the bed. Align each foot with the installation holes on the side panels. Insert the screws and flat washers, then secure them with nuts.

Refer to the diagram below for guidance.



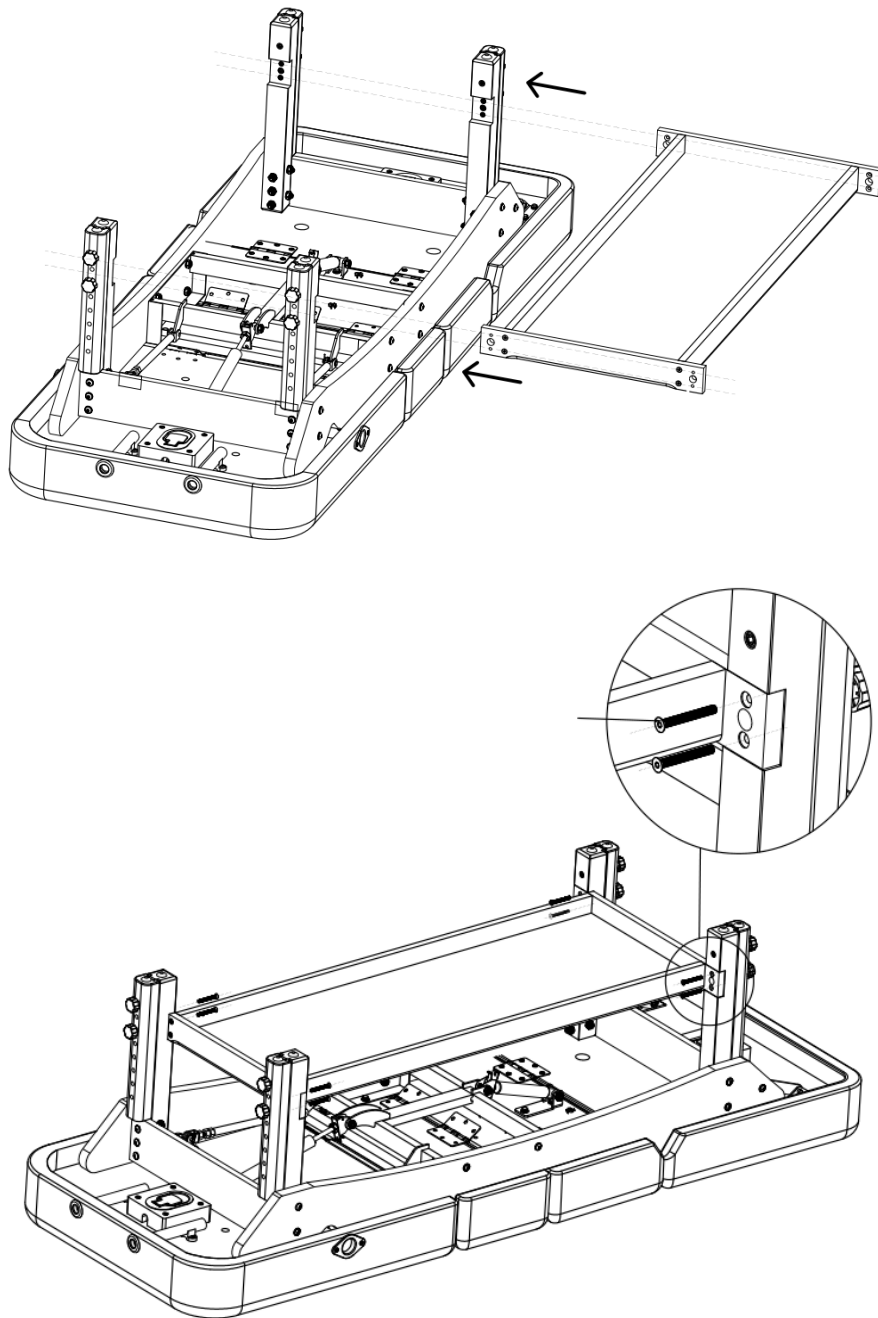
M8 Round cup screw x8



Installing the Bottom Tray:

Insert the tray into the designated slot located on the wooden feet. Ensure it is properly aligned, then secure it using screws.

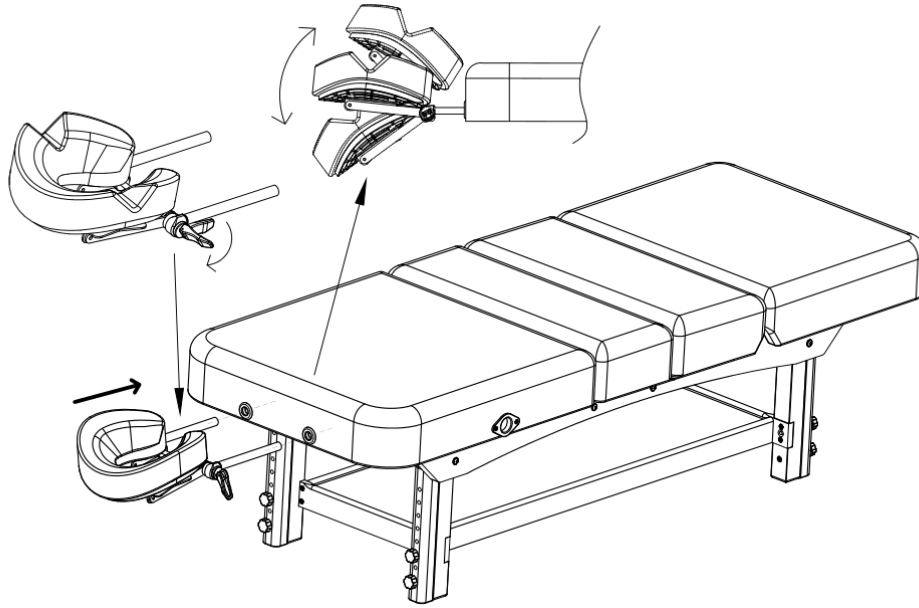
Refer to the diagram below for details.



Installing the Pillow:

First, release the handle on the headrest. Insert the two support rods of the headrest into the corresponding holes at the back of the bed. Adjust the headrest angle as needed, then push the handle down to lock it in place.

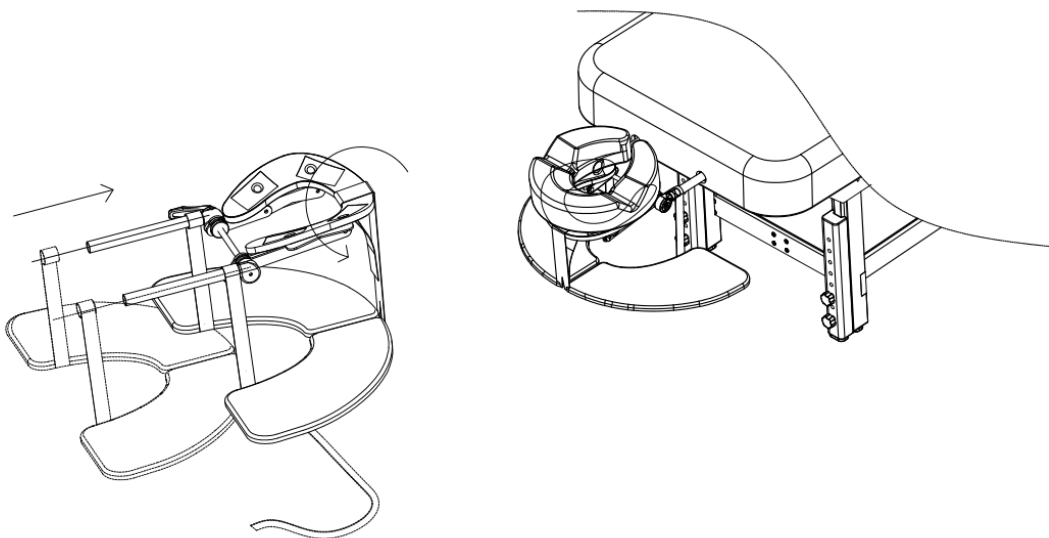
Refer to the diagram below for visual guidance.



Installing the Suspension Pillow:

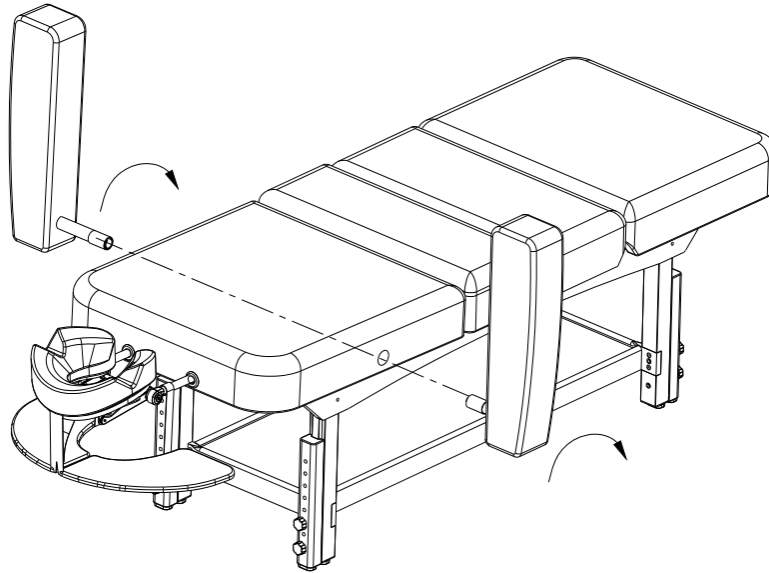
First, attach the hanging hand pillow to the inserted headrest pillow. Then, install the entire assembly onto the bed for use.

Refer to the diagram below for details.



Installing the Armrests:

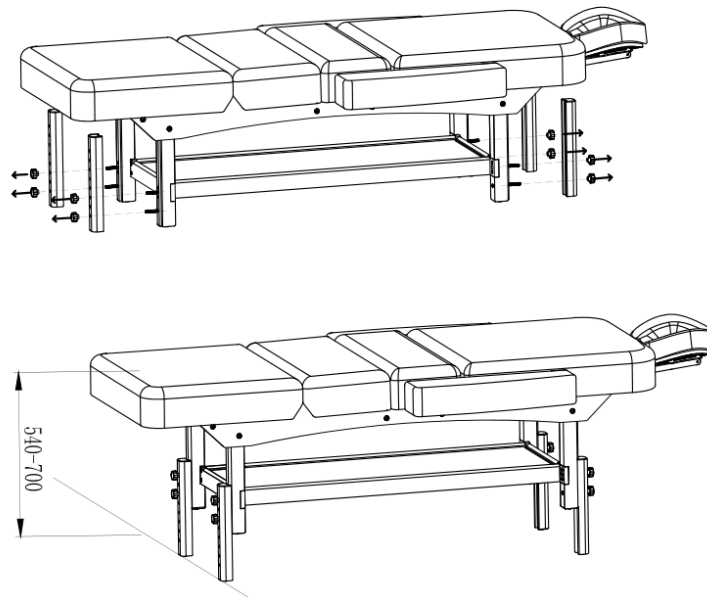
Align the left (or right) armrest connecting rod with the corresponding installation hole on the side of the bed. Insert the rod fully, then rotate it 90 degrees clockwise to secure it in place. Refer to the diagram below for proper installation.



Function Usage Instructions:

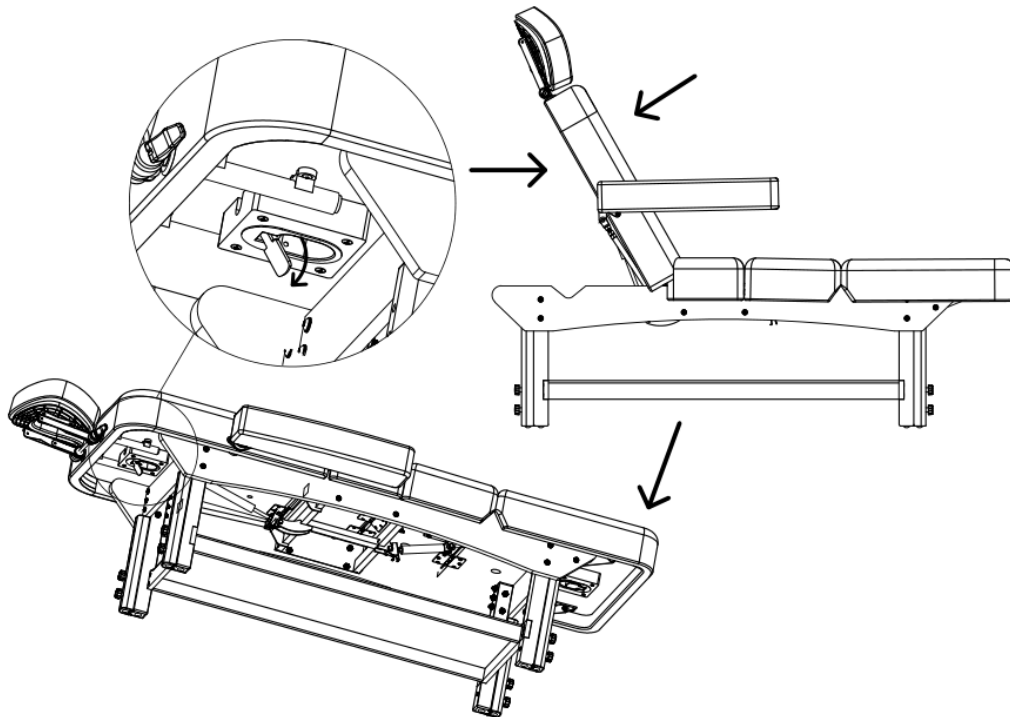
Height Adjustment:

The height of the wooden feet can be adjusted using the plum blossom-shaped knob. Refer to the diagram below for guidance.



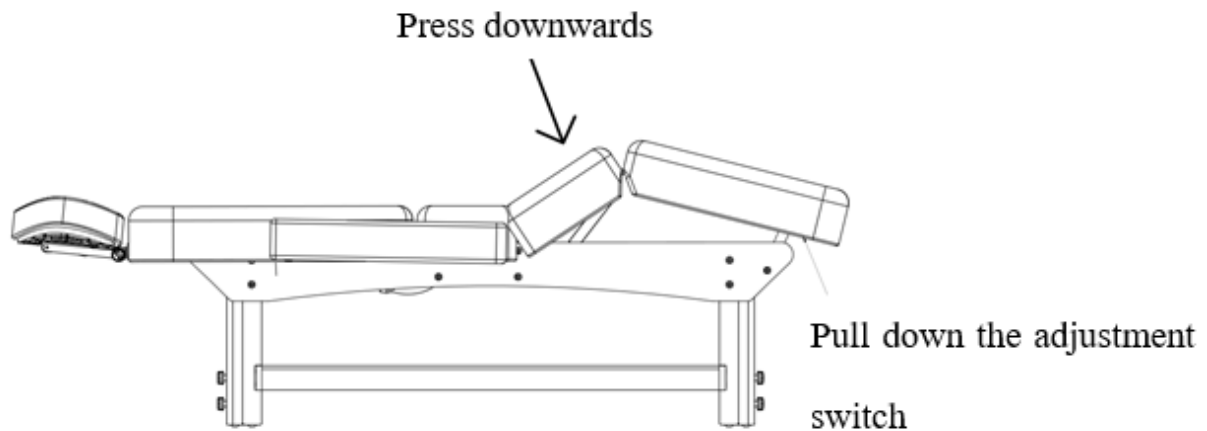
Adjusting the Backrest Tilt Angle:

1. To raise the backrest, pull down the adjustment lever located behind the backrest. The backrest will tilt upward. Release the lever when it reaches the desired angle to lock it in place. Refer to the diagram below.
2. To lower the backrest or return it to a horizontal position, pull down the same adjustment lever and gently press down on the backrest. Release the lever once the desired angle is set. Refer to the diagram below.



Adjusting the Foot Pad Tilt Angle:

1. To raise the foot pad, hold the adjustment switch and lift the foot pad. Once it reaches the desired angle, release the switch to lock it in place. Refer to the diagram below.
2. To lower the foot pad or return it to a flat position, hold the adjustment switch and gently press the foot pad downward. Release the switch once the angle is set. Refer to the diagram below.



Product Maintenance

1. Daily Cleaning

Use a soft, dry cloth to wipe off any dust from the product surface.

2. Removing Stubborn Dirt

For dirt that cannot be removed with a dry cloth, clean the surface using a soft towel moistened with a diluted neutral detergent. Afterward, wipe it dry with a clean cloth.

3. Avoid Harsh Solvents

Do not use solvents such as benzene, thinner, or gasoline, as they may damage the leather or corrode the product's surface.

4. Storage and Usage Environment

Keep the product away from direct sunlight and high-humidity environments to prevent damage.

5. Recommended Operating Conditions

The product can be used in environments with temperatures between -5°C and 50°C , and humidity levels between 45% and 85%.

Fault Diagnosis

If you encounter a malfunction while using this product, please try the following troubleshooting steps:

Phenomenon	Diagnosis	Solution
Abnormal noise	Loose screws	Tighten all screws
Shaking in the bed	Loose structural parts	Check and secure all connections
Malfunction in lifting	Power supply or control issue	Check the power cable and control switch

Warranty Information:

. 1-Year Warranty