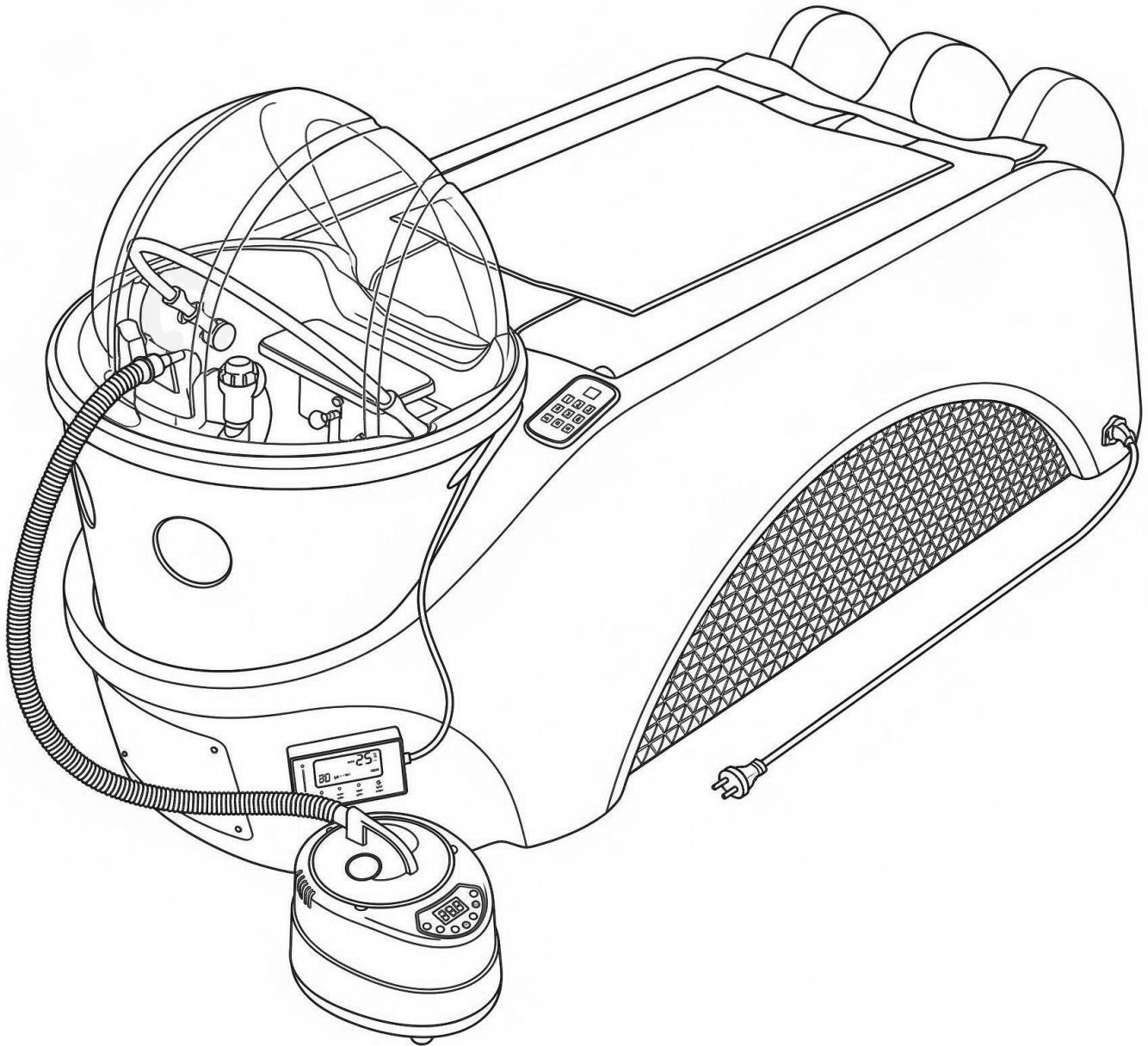


Domerra Head Spa Electric Massage Bed

User Manual



skinact.com | www.spaandequipment.com

Toll-Free 1.800.418.0830

DOMERRA HEAD SPA ELECTRIC MASSAGE BED

Product Instruction Manual

Instruction Catalogue

Product Load Capacity	1
Instructions for Receiving Goods	2
Massage Function Overview.....	3
Warnings and Precautions.....	4
Instructions for Use	5
Water Circulation Function	6
Fumigation Function	7
Cleaning and Disinfection.....	8
Maintenance.....	9
Maintenance Measures.....	10
Common Troubleshooting.....	11
Warranty	12
Technical Parameters.....	13
Non-Applicable Users.....	14

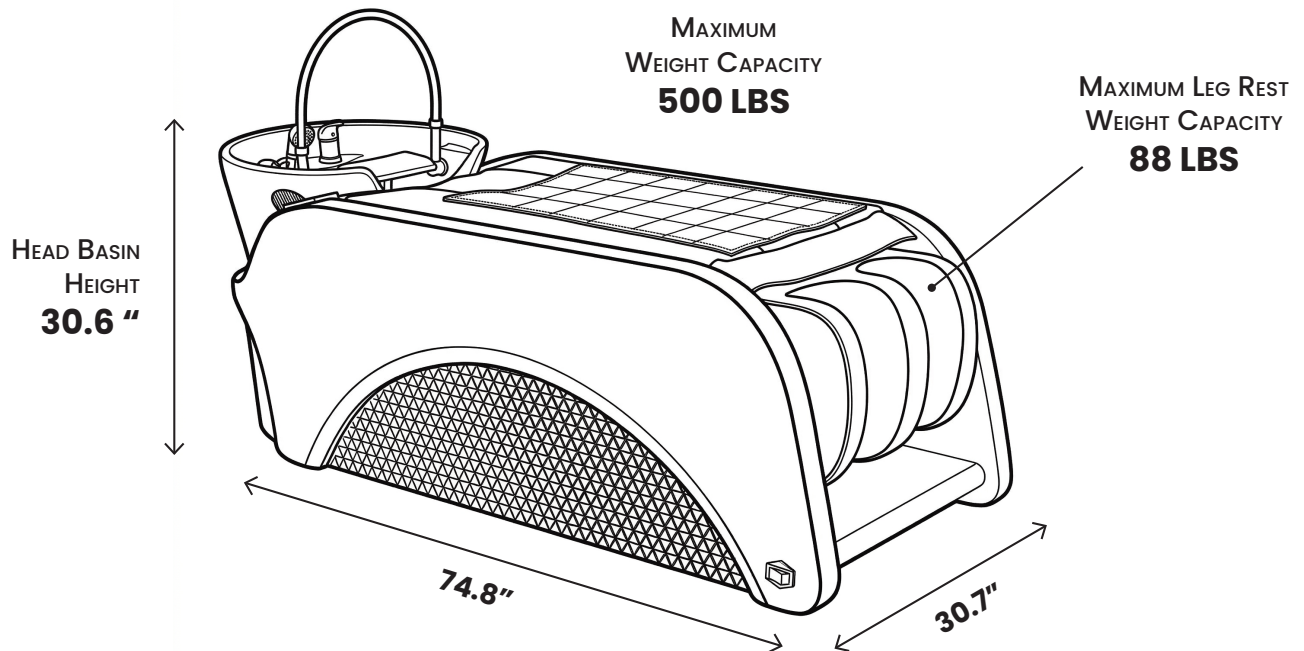
*** PLEASE READ THE INSTRUCTIONS CAREFULLY BEFORE USING THE PRODUCT ***

This manual provides detailed instructions for the operation and maintenance of the equipment. Please read and understand this manual carefully before using the product.

Use the equipment only as described in this manual.

Keep this manual in a safe place so that anyone who uses the equipment can review the instructions before operation.

1 Product Load Capacity



Do not exceed the maximum weight capacity of the bed.

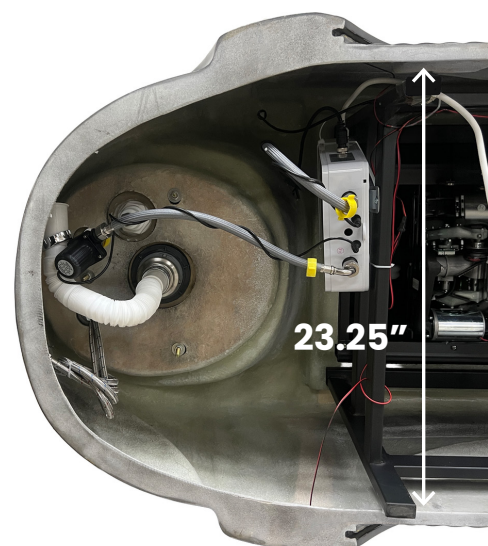
Important safety notes

- Do not jump onto the bed.
- Do not apply excessive pressure on the armrests.
- Do not stand or place heavy weight on the leg support.

Failure to follow these instructions may damage the product structure.

Maximum weight Capacity: **500 LBS**

Maximum load capacity of the leg support: **88 LBS**



2 Instructions for Receiving Goods

Before using the head spa massage bed, inspect the packaging carefully

1. Ensure the packaging is intact and has not been damaged during transportation.
2. If any damage is found, notify the transportation company or after-sales service within 2 days of receiving the product.
3. Confirm that all parts are included upon delivery.
4. If any parts are missing, contact the after-sales service department immediately.

Environmental Requirements

The massage bed should be used indoors under the following conditions:

- Temperature: 10°F – 40°F
- Relative humidity: 30% – 75%

If the equipment has been stored in temperatures below 0°F, allow it to remain at room temperature for at least 5 hours before use.

Before First Use

Please perform the following checks:

- Remove all packaging materials.
- Ensure the head spa massage bed operates properly.
- Place the bed in its intended operating location.
- Connect the power plug to a compatible electrical outlet matching the motor voltage.

Safety Notice

- Children or inexperienced individuals should not operate the equipment without supervision.
- Ensure children do not play with the equipment or accessories.
- For safety reasons, unplug the power cord and lock the equipment when not in use.

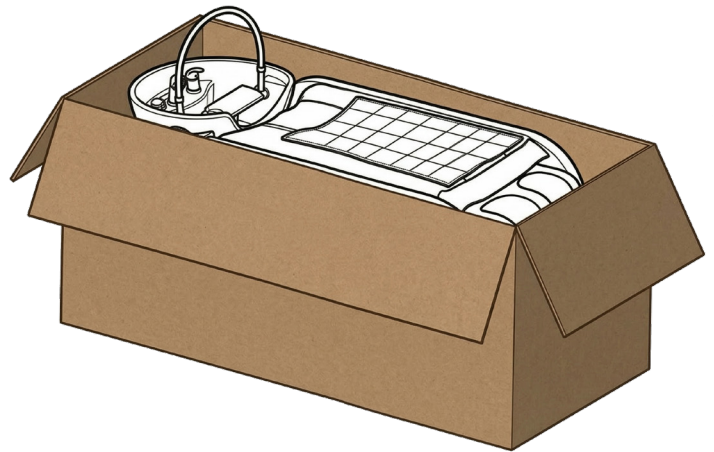
The product is packed with protective foam and a reinforced outer carton to ensure safe transport.

We strongly recommend keeping the original packaging for future transportation or storage.

Lifting Instructions

- At least two people are required to lift the head spa massage bed.
- Lift the bed from the head and leg ends only.
- Do not lift the bed using the armrests or sides.

Improper lifting may cause damage to the equipment.



3 Massage Function Overview

The head spa massage bed provides multiple massage techniques during head spa treatment.

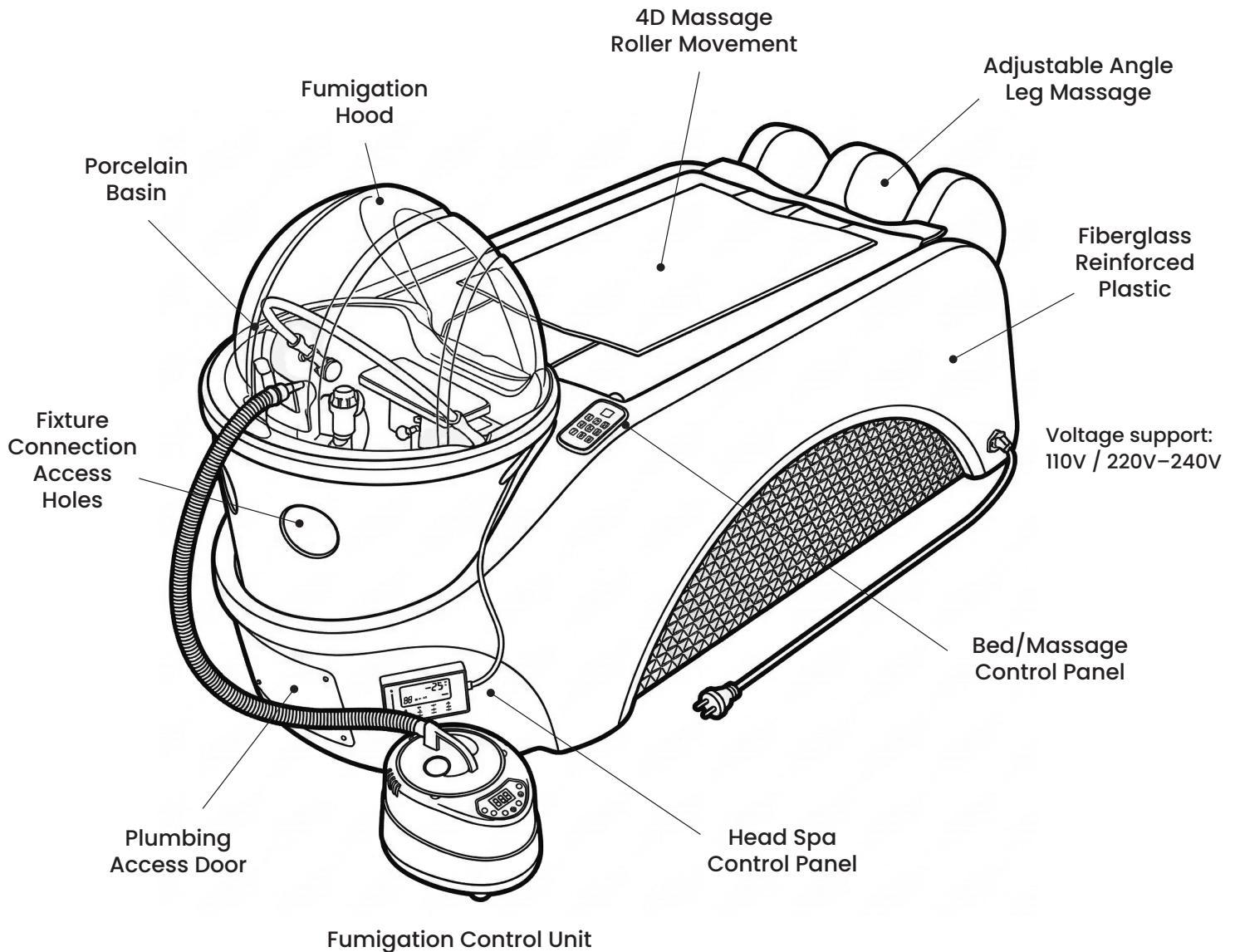
Available massage modes include:

- Kneading
- Hammering
- Tapping
- Acupressure

The massage system offers three adjustable intensity levels.

While receiving a head spa treatment, users can enjoy back and leg massage, helping to:

- Improve blood circulation
- Relax muscles
- Stimulate meridian points
- Promote overall wellness and relaxation



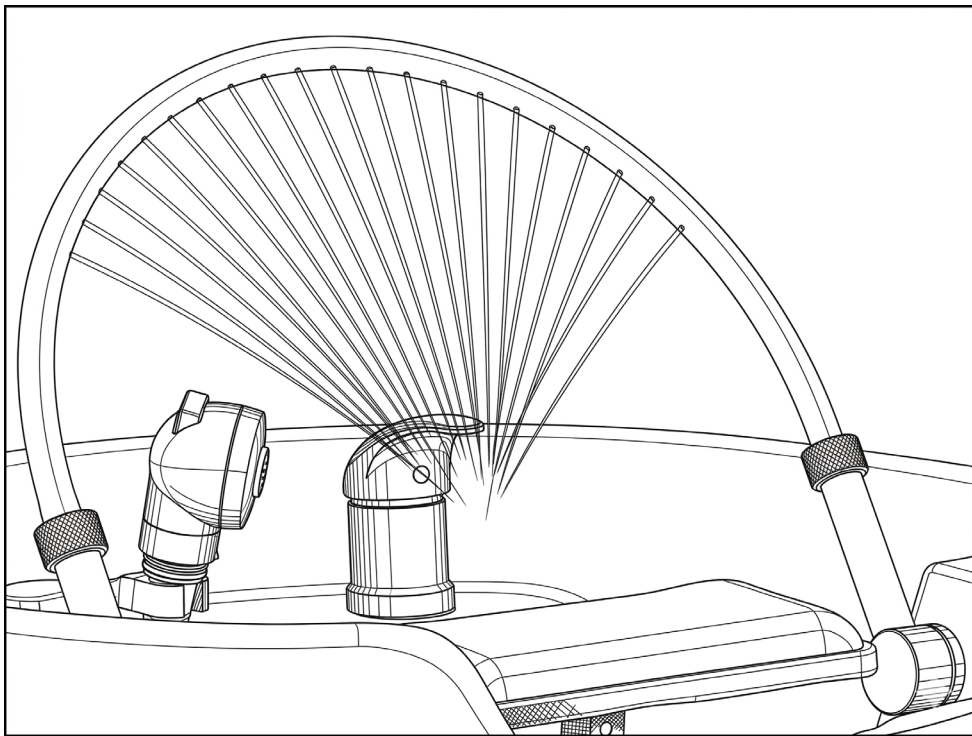
4 Warnings and Precautions

Warning

- The leg support is not designed to support the full weight of an adult.
- Do not jump onto the bed.
- Do not sit on the armrests or leg supports.
- Do not operate the equipment near flammable gases.
- Do not exceed the maximum weight capacity.
- Ensure the power outlet is within 2 meters of the unit.

Safety Precautions

- Always connect the power cord to a properly grounded outlet.
- Do not secure or wrap the power cord around the device.
- Ensure the power cord can be quickly unplugged in case of emergency.
- Disconnect the power cord before moving the equipment.
- If the power cord is damaged, stop using the device immediately and contact after-sales service.
- Use only the original power cord provided.
- Prevent unauthorized persons from operating the controls.
- Do not place objects underneath the bed.
- Ensure sufficient space around the equipment for safe operation.
- Keep the surrounding area free of sharp or hazardous objects.
- Do not modify the equipment or install unauthorized parts.
- If the device malfunctions, stop using it immediately and contact after-sales service.



5 Instructions for use

1. Connect the power cord to a 220V power supply;
2. Press the Power button to turn on the unit.)
3. Press the Automatic Mode button to start the massage program.

Bed/Massage Control Panel Adjustable Settings

Digital Display (Top)
The "15" on the screen is a timer (e.g, 15 minutes remaining).

4 MASSAGE MODES
Select between 4 massage modes:
• Kneading • Hammering
• Tapping • Acupressure.

ON-OFF (Red)
Powers the bed's electronic functions on or off.

AIR POW* (Air Power)
Controls the intensity of the air compression massage (the airbags inflating and deflating in optional armrests)

UP (Up Arrow)
Moves the massage rollers upward along the back.

LEG Up
Raises the leg rest section.

LIGHT
Turns the ambient lighting on or off.

AUTO
Starts a preset, automatic massage or spa program that cycles through different modes.

TIME
Adjusts the duration of the current session.

MEC POW (Mechanical Power)
Controls the intensity or speed of the mechanical massage rollers underneath the material.

DOWN (Down Arrow)
Moves the massage rollers downward.

LEG Down
Lowers the leg rest section back to a flat position.

HEAT*
Toggles the built-in optional heating element on and off

*** HEAT and AIR POWER are optional contact us for more information**

6 Water Circulation Function

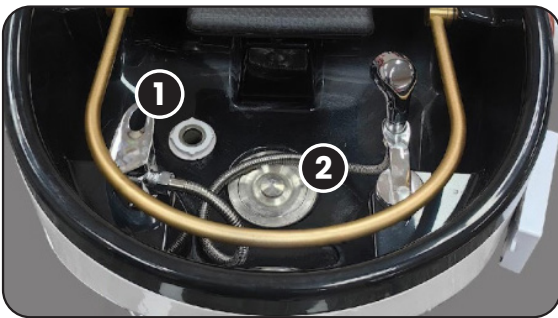
Installation

Before connecting water and electricity:

- Connect the drain pipe to the basin outlet.
- Install the drainage pipe according to the reserved pipe connection ports.
- Ensure all pipe connections are secure.

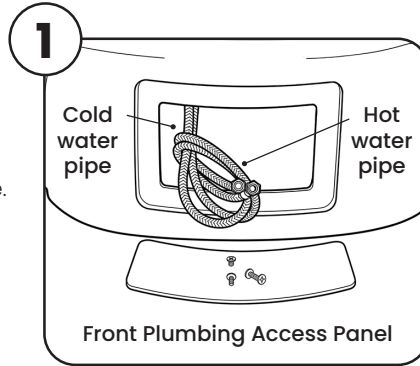
After installation:

- Test the drainage system for leaks.
- If no leaks are detected, the system is ready for use.



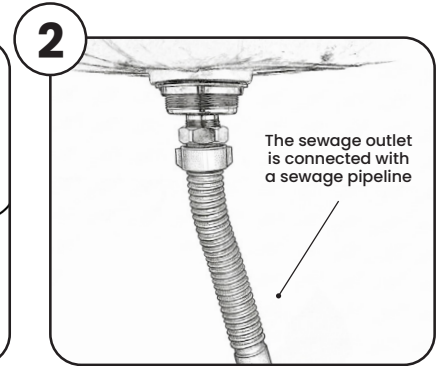
Drain Pipe installation:

The drain pipe will be disassembled and installed in **1** inside the pipe connect port connection, as shown in **2**, according to the drain pipe reserved holes connect to the installation is complete.



Hot & Cold Water Illustration

The hot and cold water switches are connected to the telescopic shower and can be operated for use.



Drainage Pipe Diagram

After the pipes are connected, you can debug the drain for leaks, and if there are no leaks, you can use it normally.

If assistance is required, contact customer service for a pipe installation video guide

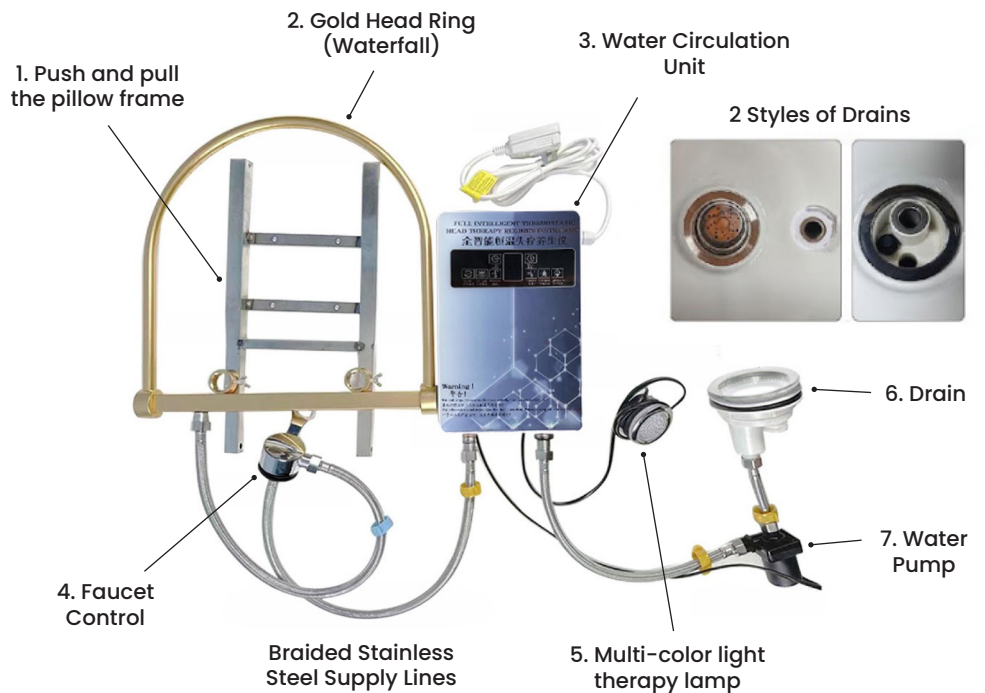
Water Circulation

1. Water Circulation System Components

1. Adjustable pillow frame x 1
2. Gold Head Ring (Waterfall) x 1
3. Water Circulation Unit x 1
4. Faucet Control x 1
5. Multicolor light therapy lamp x 1
6. Water Drain x 1
7. Water Pump x 1

Voltage support: 110V / 220V-240V

The Water Circulation Unit controls the water coming out of the head ring



This function needs to be plugged in, and the output power is **800W**

2. About water circulation machine operation

The left side can activate the water circulation function, three hydrotherapy modes to choose from, and adjust the time and temperature as need; the right side can turn on the seven-color light therapy.

The main body of the water circulation is hidden inside the head basin.

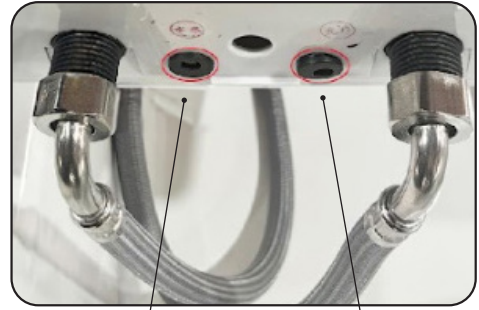


1. Trombone:

The long tube is the water inlet and connects to the gold head ring.

2. Short tube:

The short tube is the spout, which connects to the multicolor light therapy lamp.



Water Pump

Light

Important Safety Notes:

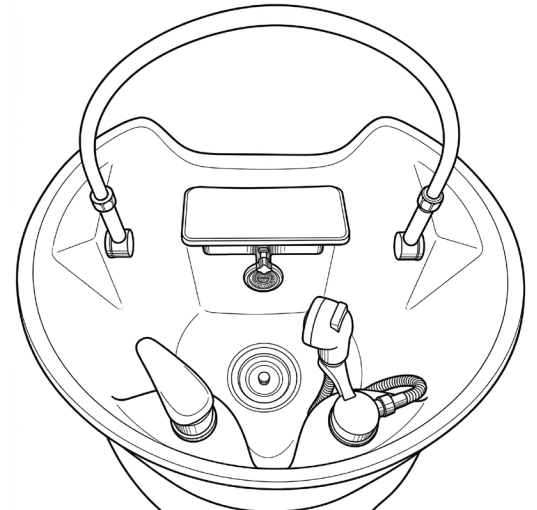
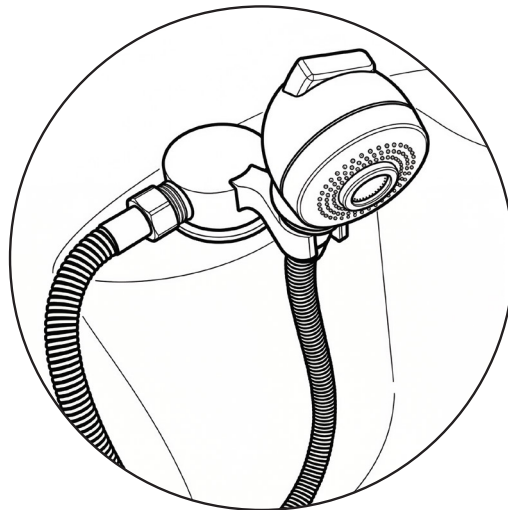
- Always ensure water is present in the basin before activating the water circulation function.
- Do not pour water hotter than 40°C into the basin.
- Clean the water basin and drain after each use to prevent hair from clogging the pipes.

Troubleshooting

Fault condition	Treatment method
Water recycling machine black screen or not working	Check whether the pump is blocked and clean it in time
The circulation of water is too small	Check the apricot pipe for bending
The machine will not work when the temperature exceeds 50° degrees	Turn off the machine! Disconnect the power! Allow to cool for 2 hours before using.

NOTE

Water pump is consumable, if necessary, please buy spare parts.



7 Fumigation Function

Fumigation Accessories



Operating Instructions

1. Fill the fumigation pot with 1–1.5 liters of water.
2. Do not exceed 2 liters to prevent boiling overflow.
3. Attach the long hose to the fumigator and connect the short hose to the diffuser box under the headrest.
4. Place the fumigation cover over the water basin.
5. Plug in the unit and start operation.

Maximum treatment time: 30 minutes per session

Safety Notes

- Only use clean water in the fumigator.
- Steam temperature may be high—avoid burns.
- Do not immerse the machine in water during cleaning.

Fumigator Precautions:

Cold water into the pot is first set at 9, the water boils and the temperature is adjusted to 4-5, To keep the fumigation diffuser box steam input.

Fumigation Remote Control:

Cold water into the pot is first set at 9, the water boils and the temperature is adjusted to 4-5, To keep the fumigation diffuser box steam input.



This feature requires plugging into a power supply with an output of 1000W

Detailed Guide to the use of Fumigation Unit

For both the ceramic and acrylic water basins on the electric massage bed, the fumigation holes are located on the fumigation cover, as shown in the figure.



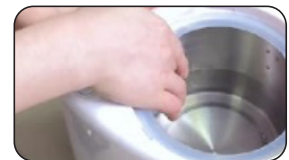
Ceramic head basin fumigation hole



Acrylic head basin fumigation hole

Procedure

1. When you receive the unit, unscrew the plug from the fumigator. Install the longer attachment into the fumigation hole, facing outward, and secure the adapter.
2. Attach the long hose to the outside and connect it to the fumigator. Attach the short hose to the basin and connect it to the fumigation diffuser box located under the headrest. Ensure the hoses are not bent or kinked during use.
3. Once the accessories are installed, add 1 to 1.5 quarts of water to the fumigation pot. Do not exceed 2 quarts to prevent the boiling water from overflowing. The water can be reused for a second session, but always empty the pot once the water has cooled. A single treatment session should not exceed 30 minutes.
4. Finally, place the fumigation cover over the basin and plug the unit in. The fumigation function is now ready to use.



Important Notes:

- Only use water in the fumigator; do not add any other substances.
- Caution: The steam temperature gets very high. Please be careful to avoid burns.
- Do not submerge the machine in water for cleaning.

If you have any questions, please contact customer service for a detailed instructional video.

8

Cleaning and Disinfection

Always unplug the power cord before cleaning.

To maintain hygiene and equipment condition:

- Clean after each client.
- Perform thorough disinfection at least once per month.

Metal and Plastic Surfaces

Clean using:

- A damp cloth
- Mild alkaline cleaning solution

Use a small brush for corners and difficult areas.

Follow disinfectant manufacturer instructions when using alcohol or chlorine solutions.

Stainless Steel Surfaces

- Clean with a mild detergent solution.
- Avoid chlorine-based cleaners on chrome-plated surfaces.
- Ensure all surfaces are completely dry before reconnecting power.

Do not use:

- High-pressure water spray
- Strong solvents
- Acidic cleaners

Bed Surface

- Wipe with a soft cloth.
- Use a specialized leather cleaner.
- Avoid wet cloths, sharp objects, acids, or alkaline chemicals.

9

Maintenance

Before performing maintenance

- Turn off the unit
- Disconnect the power cable

Important maintenance rules:

- Only qualified or manufacturer-authorized personnel may perform repairs.
- Use original spare parts only.
- If the unit malfunctions, stop using it immediately and contact after-sales service.
- All maintenance and repairs should be properly documented.

10 Maintenance Measures

Professional users should perform:

- Weekly inspections
- Biannual system checks
-

Inspection checklist:

- Power cable condition
- Motor wiring
- Control box connections
- Tightness of accessories
- Locking system functionality

If any defect or abnormal noise is detected, discontinue use and contact service support.

11 Common Troubleshooting

Problem	Possible Cause	Solution
No response from controller	Loose cable connection	Check cable connections
Unusual noise from back	Foreign object or lack of lubrication	Inspect track and gears
Airbag losing pressure	Air hose kinked	Check and straighten hose

If replacement parts are needed, contact the service department and provide:

- Product model
- Purchase date
- Description of the issue

12 Warranty

Standard warranty coverage:

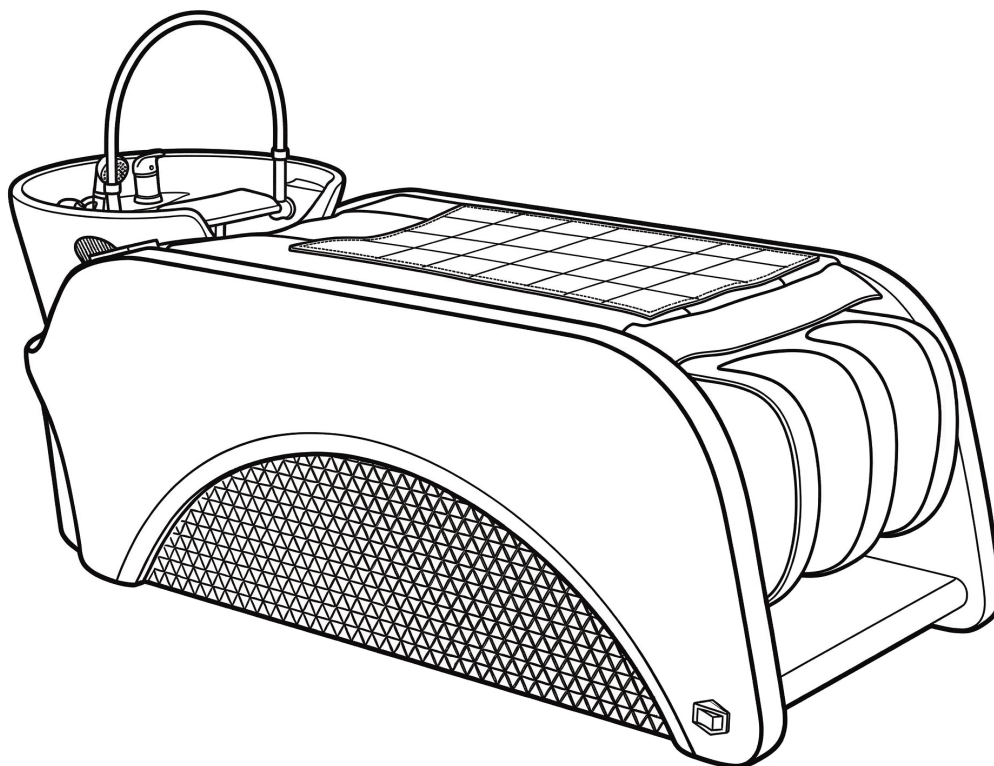
- 1 year – manufacturing materials and motor
- 6 months – consumable parts (power cables)

Warranty Does Not Cover

- Normal wear and tear
- Damage during transportation or installation
- Improper use or incorrect installation
- Natural disasters (fire, flood, lightning)
- Power supply abnormalities
- Use of incorrect cleaning chemicals
- Unauthorized repairs or replacement parts

13 Technical Parameters

Product Name:	Head Spa Massage Bed
Rated Voltage :	220V/50Hz
Power:	90W
Rated time:	20 Minutes
Security category:	Class I



14 Non-Applicable Group

The following individuals should not use this product or should consult a physician before use:

- Patients with malignant tumors
- Individuals with severe heart conditions
- People with serious skin diseases
- Patients with severe bone disorders
- Pregnant individuals
- Individuals recovering under medical supervision
- People with spinal abnormalities
- Individuals with joint deformities
- Persons with pacemakers or implanted medical devices
- Individuals with acute internal illnesses (gastritis, hepatitis, etc.)
- People with impaired sensation
- Individuals with high fever