

Elegance Spa Massage Facial Bed, Table Specifications Sheet



SKIN+ACT

Toll Free: 1.800.418.0830	www.skinact.com www.spaandequipment.com	International: 818.834.6640
---------------------------	--	-----------------------------

NOTICE

No part of this document may be photocopied, reproduced, or translated into any other language without prior written consent of Spa and Equipment/SkinAct.

The information in this document is subject to change without notice at any time and should not be construed as a commitment by Spa and Equipment/SkinAct.

Spa and Equipment/SkinAct assumes no responsibility for any errors that may be in this document, nor does it make expressed or implied warranty with regard to this material, including, but not limited to, the implied warranties of merchantability and fitness for a particular purpose.

Spa and Equipment/SkinAct shall not be liable for incidental or consequential damages arising out of the furnishing, performance, or use of this document and the program material which it describes.

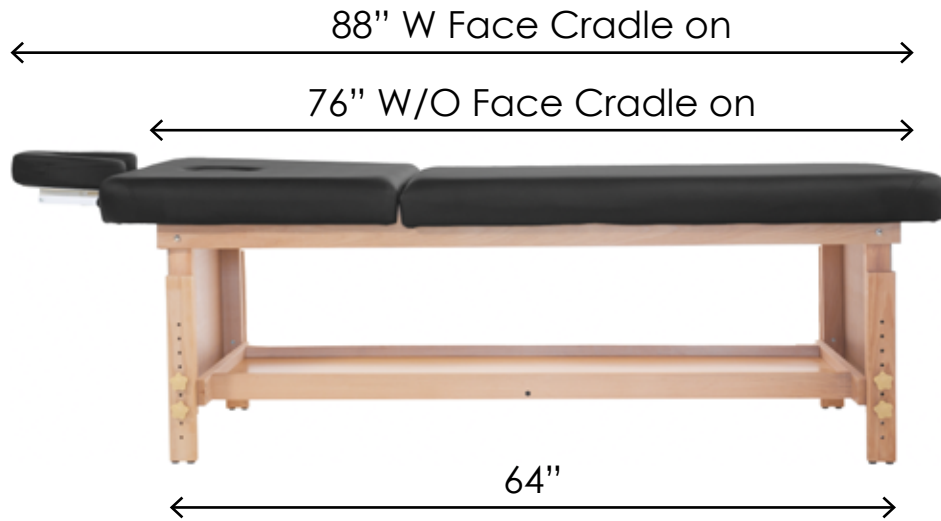
SKIN+ACT

Toll Free: 1.800.418.0830

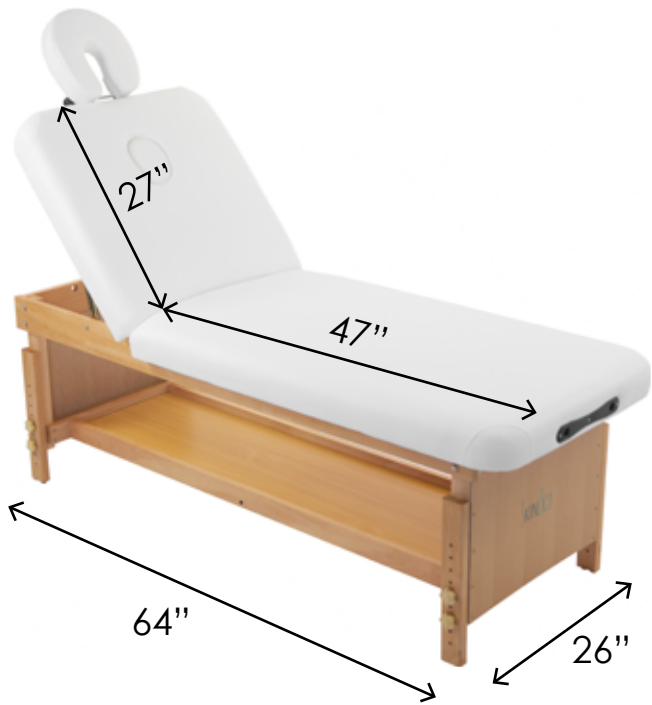
www.skinact.com
www.spaandequipment.com

International: 818.834.6640

Measurements

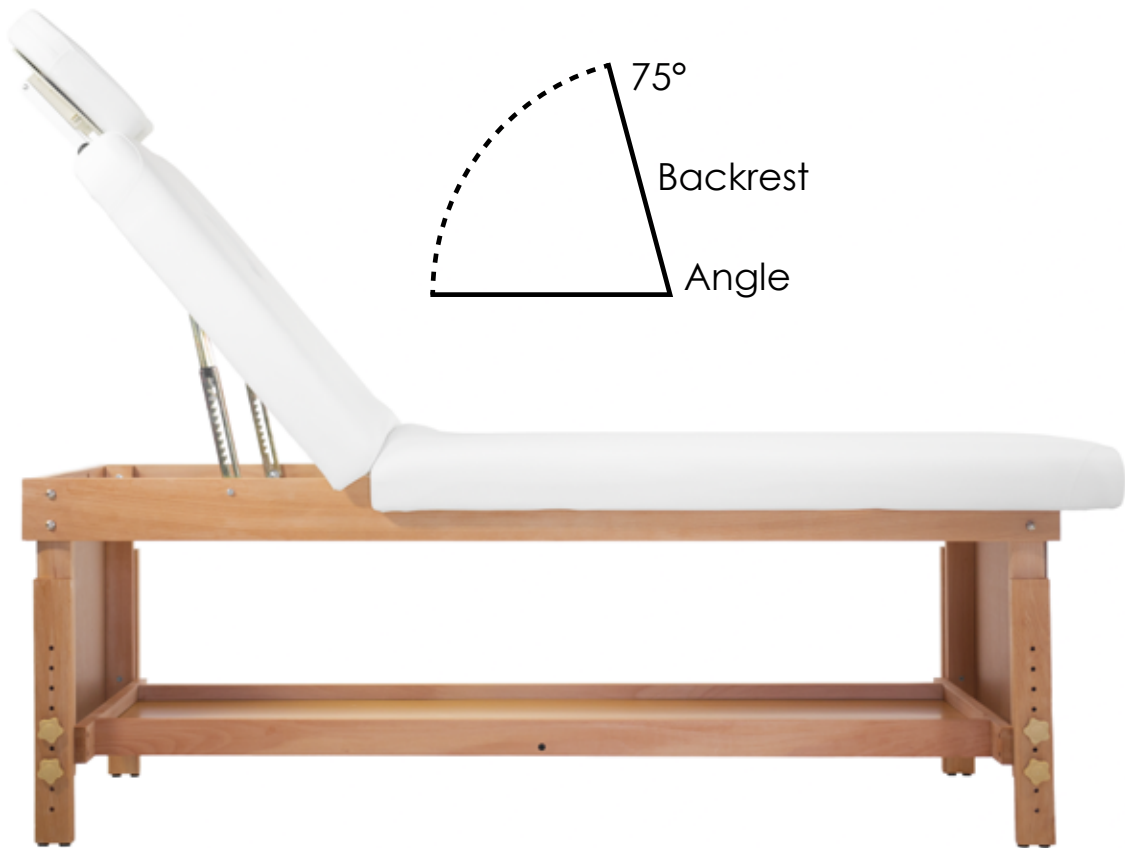


Measurements



Shelf Dimensions:
57.5"L x 15"W

Measurements





Armrest and
Face Cradle



Highlights

Movements:

- Manual backrest angle adjustment
- Manual table height adjustment
- Manual removable face cradle
- Manual removable arm rests

Dimensions/Specifications:

- Length without face cradle attached: 76"
- Length with face cradle attached: 88"
- Width: 29"
- Heights: 23" – 31"
- Base dimensions (BASE ONLY): 64" x 26"
- Storage shelf dimensions: 57.5" x 15"
- Backrest adjustment from 0° flat to 75° incline
- Weight: 150 lbs
- Capacity of 350 lbs
- Cushion thickness: 3"
- Colors available: Black or White

* All height measurements are from ground to top of cushion *

** All measurements have a 0.25 to 0.75 inch tolerance **

Warranty Information:

- 1-year warranty