

Euro Facial Steamer With Aroma Therapy + LED Magnifying Lamp (SKU18421)



SKIN+ACT

Toll Free: 1.800.418.0830

www.skinact.com
www.spaandequipment.com

International: 818.834.6640

NOTICE

No part of this document may be photocopied, reproduced, or translated into any other language without prior written consent of Spa and Equipment/SkinAct.

The information in this document is subject to change without notice at any time and should not be construed as a commitment by Spa and Equipment/SkinAct.

Spa and Equipment/SkinAct assumes no responsibility for any errors that may be in this document, nor does it make expressed or implied warranty with regard to this material, including, but not limited to, the implied warranties of merchantability and fitness for a particular purpose.

Spa and Equipment/SkinAct shall not be liable for incidental or consequential damages arising out of the furnishing, performance, or use of this document and the program material which it describes.

SKIN+ACT

Toll Free: 1.800.418.0830	www.skinact.com www.spaandequipment.com	International: 818.834.6640
---------------------------	--	-----------------------------

About This Manual

This manual is intended only as a reference for operating this product. If the manual is used for any other purpose, the user must undertake all related responsibilities.

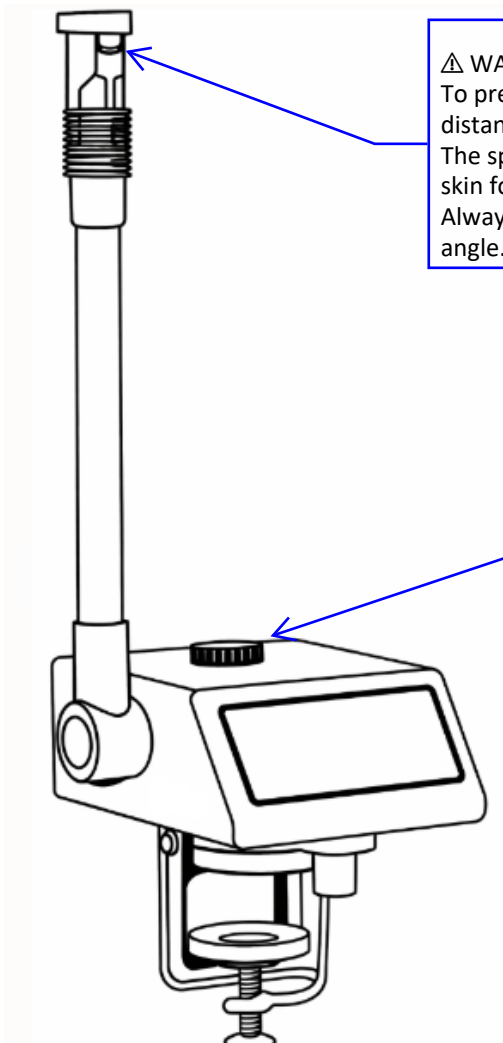
All information in this manual is protected by copyright and may not be copied or translated in any part without written permission from the manufacturer.

Features

- This series is composed of a metal shell, stainless steel base, stylish glass water reservoir, copper spray pipe, and other high quality components. It features a solid structure, durability, and an attractive appearance.
- The special stainless steel base ensures stability and safety under high temperature conditions and resists oxidation and deformation. It also helps prevent the release of oxidized or heavy metal atoms from certain materials when exposed to high temperatures during the vapor beauty treatment process. This helps maintain the cleanliness and purity of the beauty steam.
- The spray head can rotate at various angles, making operation easier. Apart from the basic herb function, the unit is equipped with time preset control, five level spray adjustment, and automatic water level detection.
- It is also equipped with maximum and minimum water level alarm systems to prevent heater damage when the water level is too low and to protect users from operating the steamer when there is no water in the reservoir.

Functions

1. Helps soften dead skin cells for easier cleansing in subsequent treatments.
2. Opens skin pores for deep cleaning.
3. Penetrates pores to soften and remove grease, blackheads, makeup residue, and dirt.
4. Helps relax facial skin.
5. Temporarily softens wrinkles.
6. Activates blood circulation, moisturizes skin cells, improves metabolism, and renews the skin.
7. Helps treat acne and skin spots, and helps whiten and nourish the skin when used with appropriate herbs.



⚠ WARNING

To prevent burns, please keep the spray head at a safe distance from the face.
The spray head should not be directed at the same area of skin for a long time.
Always keep the spray head positioned at an appropriate angle.

⚠ WARNING

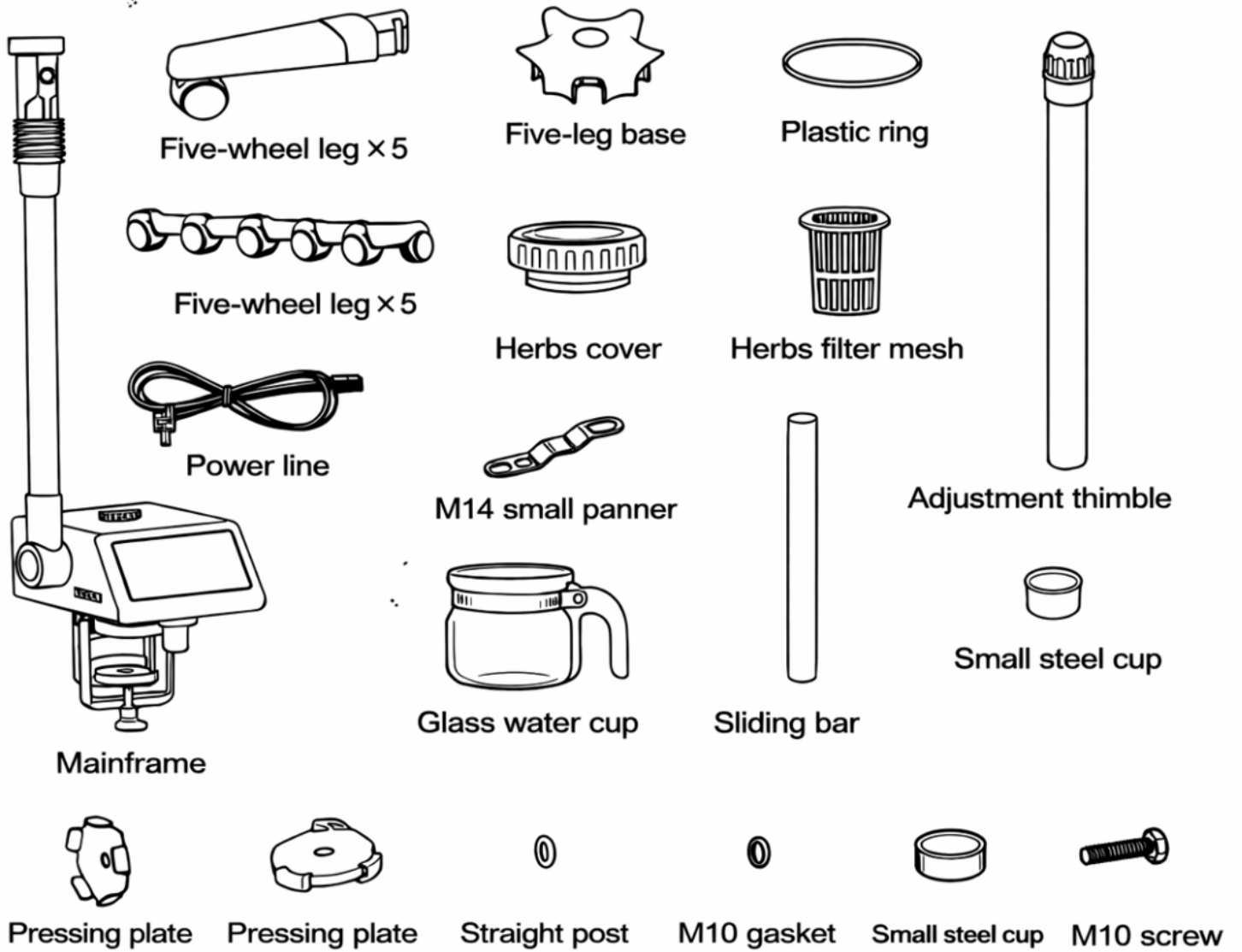
Only use purified water in the machine. Do not use essential oils or herbal liquids directly in the water tank.

For herb treatments with herbal bags, place the herbs into the cup with water, then remove the herb bag before use.

Do not immerse the cover when the machine is heating or steaming.

PARTS DESCRIPTION AND INSTALLATION

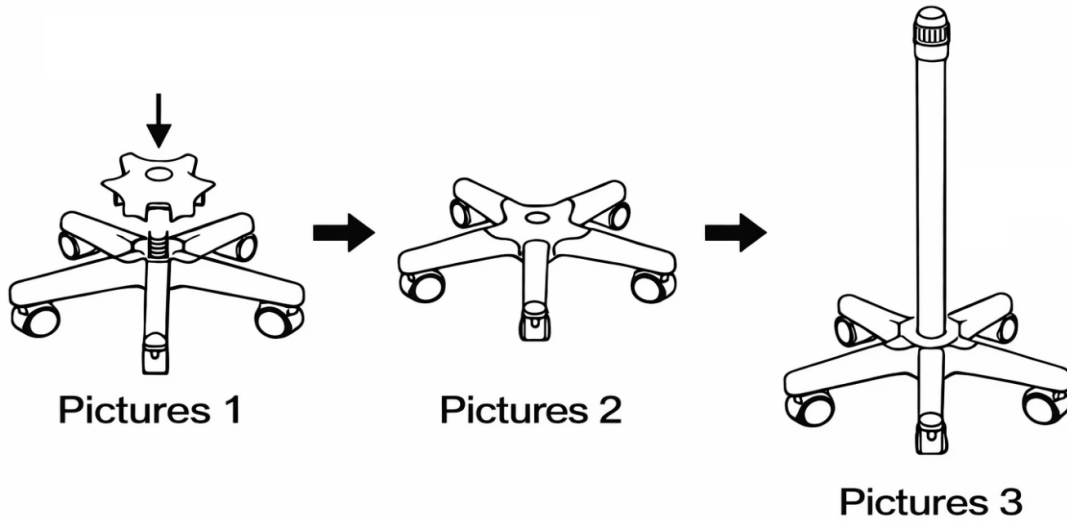
Product Components



BASE INSTALLATION FOR SINGLE-FUNCTION STEAMER

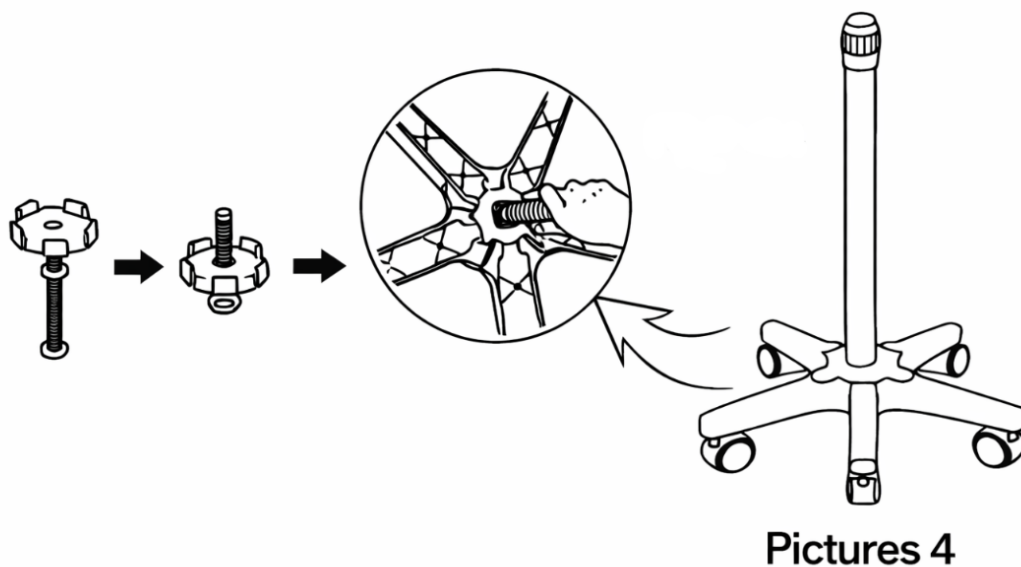
Step 1: Assemble the Base

1. Attach the five caster wheels to the five-star base.
2. Insert the support column into the center of the base.



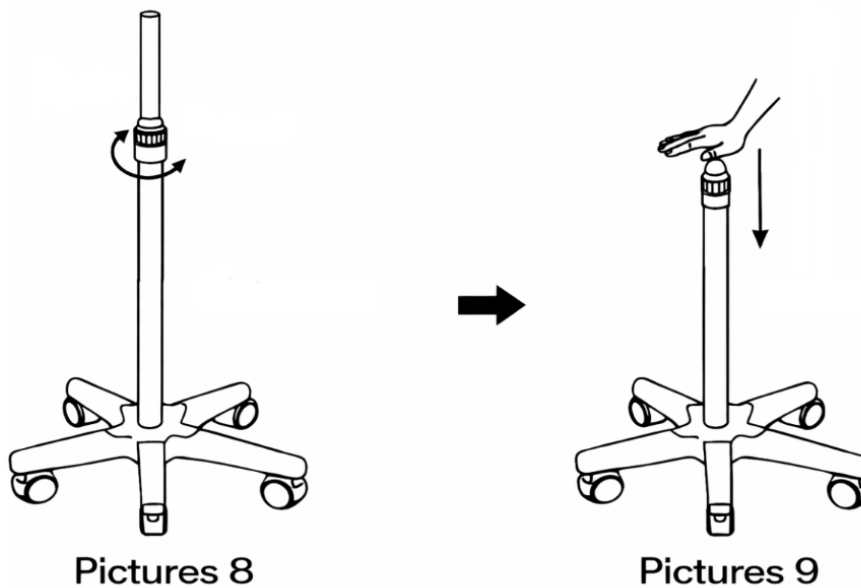
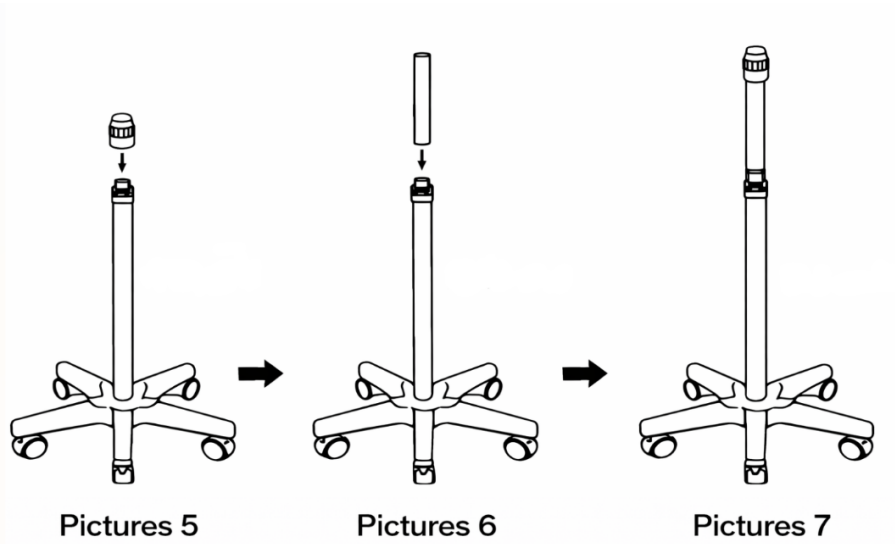
Step 2: Secure the Base

Insert the M10 bolt (with washer and locking knob pre-assembled) into the bottom of the support column and tighten it securely.



Step 3: Install the Height Adjustment Components

1. Loosen the height adjustment sleeve.
2. Insert the support rod into the support column.
3. Push it down to the lowest position (as shown in Figure 9, if applicable).
4. Adjust to the desired height.
5. Tighten the sleeve firmly to secure it in place.



⚠ Warning

When adjusting the height of the support rod, hold the rod firmly with one hand and adjust the height adjustment sleeve with the other hand.

Do not point the top of the support rod toward yourself or others to avoid injury if the rod suddenly releases.

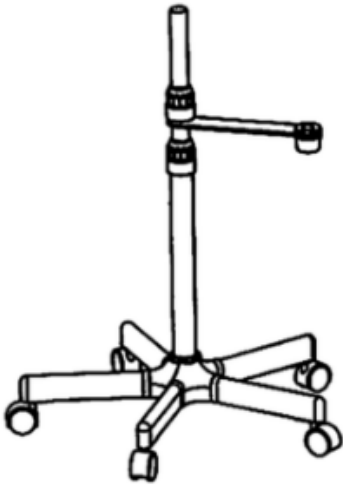
Base Installation for Steamer and Magnifying Lamp

First, insert the support rod into the five star base. Then install the fixed base of the magnifying lamp onto the support rod.

The magnifying lamp bracket is specially designed to fit the support rod.

Label under image:

Fixed Base for Magnifying Lamp



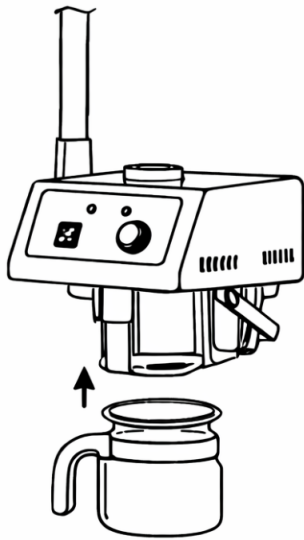
The Fixed-Base Magnifying Lamp

⚠ Note

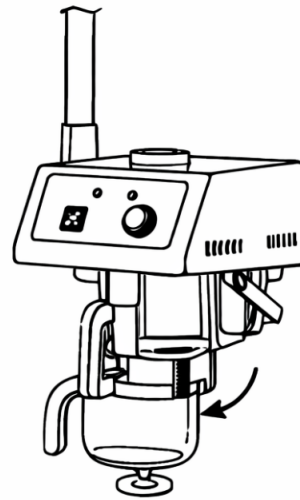
This five star base and the magnifying lamp fixed base are specially designed for the magnifying lamp package. This accessory will be included only when the customer orders the magnifying lamp package. It is not part of the standard configuration.

WATER RESERVOIR INSTALLATION

1. Place the plastic support ring onto the glass water reservoir.
2. Position the reservoir tray to a suitable location that supports the reservoir.
3. Push the tray backward.
4. Insert the glass water reservoir into the main unit.
5. Push the tray back fully and tighten it securely.



Pictures 1



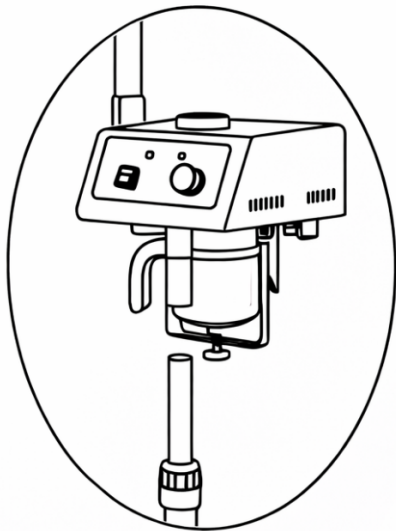
Pictures 2

⚠ WARNING

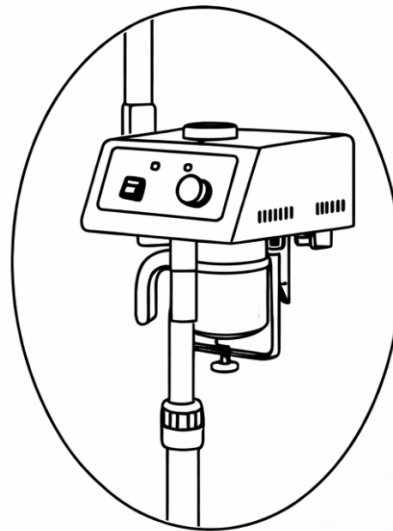
The glass water reservoir is designed specifically for this steamer model. Do not use other similar water cups or containers, as they may leak water or steam and could cause malfunction or injury.

INSTALLATION (COMPLETE FACIAL STEAMER)

Attach the main unit to the support rod and tighten securely.

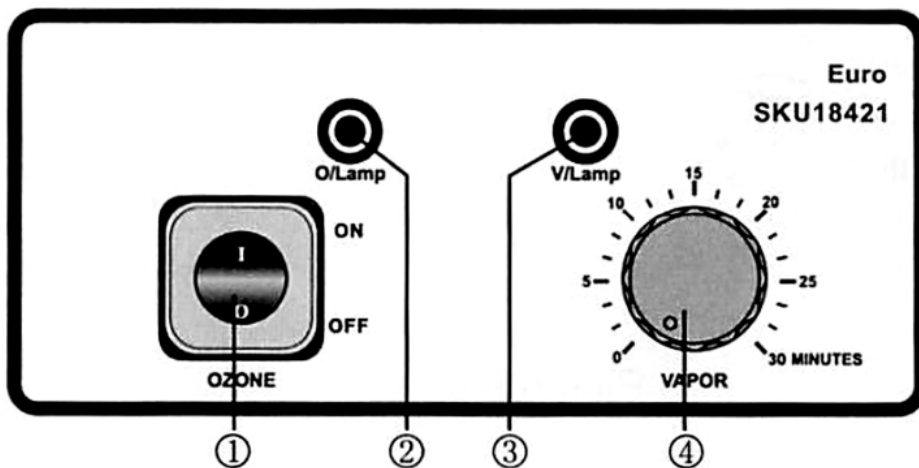


Pictures 1



Pictures 2

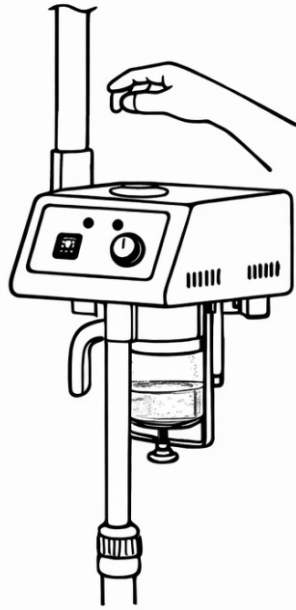
OPERATION PANEL



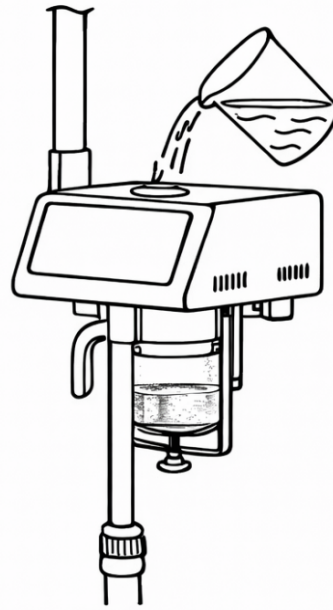
- ① Ozone ON/OFF
- ② Ozone indicator light
- ③ Spray ON/OFF
- ④ Timer

(1) FILLING THE WATER RESERVOIR

1. Place the glass water reservoir onto the reservoir tray and tighten the fixing screw.
2. Remove the herbal lid.
3. Pour distilled water into the reservoir.
4. Make sure the water level stays between the MIN and MAX marks.



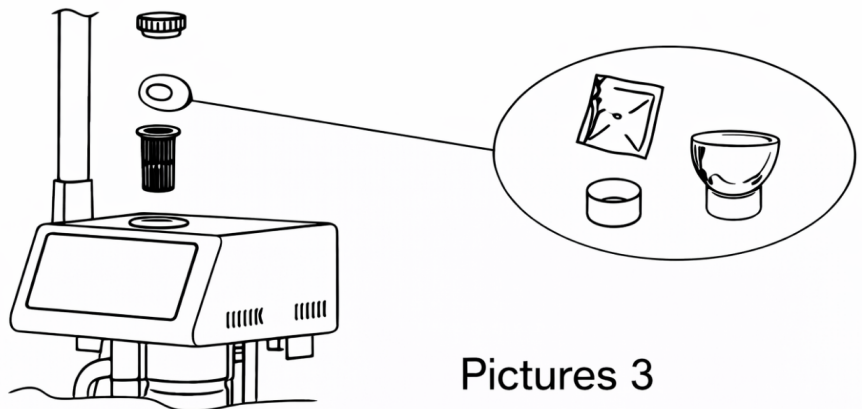
Pictures 1



Pictures 2

(2) USING HERBS

1. Remove the herbal filter basket.
2. Place the herbal bag into the stainless steel cup.
3. Reinstall the filter basket and place the lid back on.

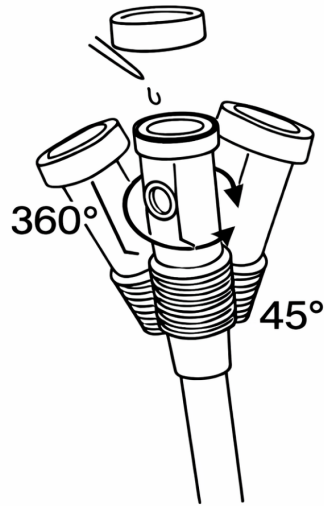


Pictures 3

(3) FRAGRANCE / ESSENTIAL OIL USE

For fragrance treatment, add a few drops of essential oil into the aroma cup/holder on the spray head.

Adjust the spray head to a suitable angle as needed.



Pictures 4

(4) CONNECT POWER

Connect the power cord to a suitable power outlet.

(5) START STEAM (VAPOR FUNCTION)

1. Turn the VAPOR switch to ON.

- The VAPOR indicator light turns on.
- The unit begins heating.

2. After approximately 6 minutes, steam will begin to flow from the nozzle.

3. If desired, turn on the OZONE function.

4. Set the operating time using the timer (maximum 30 minutes).

(6) OZONE FUNCTION

Press OZONE ON/OFF.

- The ozone indicator light turns on.
- Ozone output starts operating.
- You may notice a light ozone smell mixed with the steam.

(7) DURING OPERATION / REFILLING WATER

During operation, the water level will gradually decrease. When the water reaches the MIN level:

1. Turn VAPOR OFF first, then switch OFF the power.
2. Wait until steam stops completely.
3. Carefully remove the herbal lid and add distilled water (do not exceed the MAX level).
4. Restart the unit to continue operation.

⚠ Cautions

When adjusting the machine height, hold the support rod firmly with one hand and rotate the height adjustment sleeve with the other hand. Do not point the top of the support rod toward yourself or others to avoid injury if the rod suddenly releases.

The protective cover is designed to prevent burns from accidental contact with the stainless steel cup during operation. Do not remove the protective cover. If it becomes damaged, please return the unit for repair.

Position the water reservoir properly. Ensure the rubber sealing ring is correctly seated and not folded or displaced, otherwise water leakage may occur.

The water level must remain between the MAX and MIN marks during operation.

When adding water to the reservoir, avoid spilling water onto the machine housing to prevent electrical hazards.

If water leakage occurs during operation, immediately switch off the POWER button and disconnect the power supply. Remove the water reservoir and check whether the rubber sealing ring is properly installed. Reinstall if necessary. If the issue persists, contact customer service.

During operation, do not aim the nozzle directly at the client's face until the steam output becomes fine and stable. Maintain a distance of 40 cm from the face and allow the vapor to disperse evenly across the facial area.

Although ozone helps eliminate skin bacteria, excessive use is not recommended, as prolonged exposure may irritate the skin. The treatment duration should be adjusted according to different skin types.

During operation, if the water level falls below the MIN mark, the heater will automatically stop and an alarm will sound. The unit will not resume operation until the water level returns to normal. Refill water and press the appropriate key to continue.

The internal temperature controller will automatically respond to overheating and temporarily cut off power. Add water if necessary and allow the unit to return to normal temperature before resuming operation.

RECOMMENDED SPRAY DISTANCE & TIME

Because skin types vary, use the following guidelines:

Skin Type (Reference)	Recommended Distance	Recommended Time
Oily skin / poor circulation	35–40 cm	About 15 min
Normal skin	35–40 cm	About 10 min
Sensitive or dry skin	40–45 cm	About 5 min
Capillary dilation / UV irritation	40 cm	About 5 min

Warning

Do not place oily substances into the water reservoir or the herbal filter basket, as this may cause water to spray out.

Do not direct steam too close to the client's face, as it may cause burns.

Do not operate the steamer in a highly humid environment such as a bathroom.

Do not use the steamer on an uneven or unstable surface.

Do not allow electrical contact between internal components, as this may cause equipment damage.

Do not disassemble the machine yourself. If any abnormal condition occurs, please contact the authorized dealer or qualified service technician.

If the power cord is damaged, it must be replaced by a qualified technician or the manufacturer to avoid hazards.

Maintenance

Clean scale buildup from the water reservoir and heating element at least once per week. (Use a solution containing approximately 7% acetic acid or citric acid for descaling.)

After each use, clean any accumulated oil residue or debris from the unit.

Always monitor the water level during operation.

Special Announcement

Ensure the power is turned off when the water level is low or when there is no water in the reservoir. To avoid danger, do not connect power when the water level is abnormal. The user assumes responsibility for any accidents caused by improper operation.

Carefully read the detailed instructions before operating the instrument, or operate the unit under the guidance of a qualified professional.

Keep this instrument out of reach of children. Do not allow children to use, approach, or play with the unit within one hour after operation.

Because this instrument operates at high temperature, do not leave it unattended while in use to prevent accidents or fire hazards.

Specification

Voltage	AC 100–120V, 50Hz/60Hz
Wattage	650W
Packing Size	87.5 × 34 × 35 cm
Net Weight	7.5 kg

Cautions

Do not use the device in wet environments such as bathrooms. Clean the skin before operation.

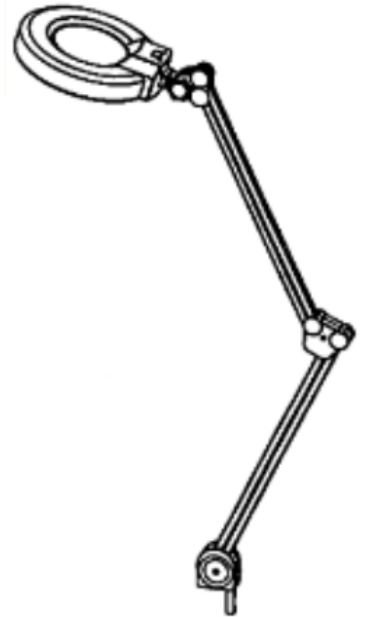
Disconnect the product from the power source if it will not be used for an extended period. Clean the lamp head and cover it properly before storage.

Clean the lens only with a soft lens cleaning paper. Do not use cloth, tissue, or other materials that may damage the lens surface.

Do not direct the light directly into the eyes.

If the external power cord is damaged, it must be replaced by the manufacturer, authorized service agent, or similarly qualified personnel to avoid hazards.

⚠ WARNING (IEC 60417-6042): The light source must only be replaced by the manufacturer, service agent, or similarly qualified personnel.



Instructions

This device is designed to examine subtle changes on the human skin surface, providing effective support for beauty and skincare treatments.

The magnifying function can also be used for procedures such as eyebrow treatment, lip care, eyelash extensions, and similar applications.

The magnifying lens can be used independently with the supporting stand or combined with other equipment.

With an advanced design and elegant profile, the optical white glass lens with 5-diopter magnification minimizes distortion and provides a clearer visual effect.

Technical Specifications

(1) Input Power

Item	Specification
Rated Voltage	AC 100–240 V
Rated Frequency	50/60 Hz

(2) Rated Power and Illumination
(Tested at a distance of 20 cm)
6.0 W, 2500 LUX

(3) Lens Magnification
5 Diopter

(4) Working Environment
Temperature: –20°C to +45°C
Relative Humidity: 30% to 90%

(5) Storage Environment
Temperature: –20°C to +60°C
Relative Humidity: 30% to 80%

(6) Net Weight
7.8 kg

(7) Gross Weight
9.1 kg

(8) Package Dimensions
84 cm × 30 cm × 15.5 cm

Directions for Use

Plug the magnifying lamp into a suitable power source.

Turn the power switch ON and position the magnifying lens toward the area of skin to be examined or treated.

Adjust the distance between the lamp and the skin to achieve the clearest view.
(Recommended optimal viewing distance: ≤ 10 cm.)

Proceed to examine the skin or begin the beauty treatment. The brightness can be adjusted during operation.

DISPOSAL INFORMATION

Do not dispose of old or defective appliances with household waste.
Dispose of this product through authorized recycling or public collection points in accordance with local regulations.



NOTICE

- Please review the product specifications before use.
- This manual is provided for reference only.
- Specifications and design are subject to change without prior notice.