

SKIN+ACT

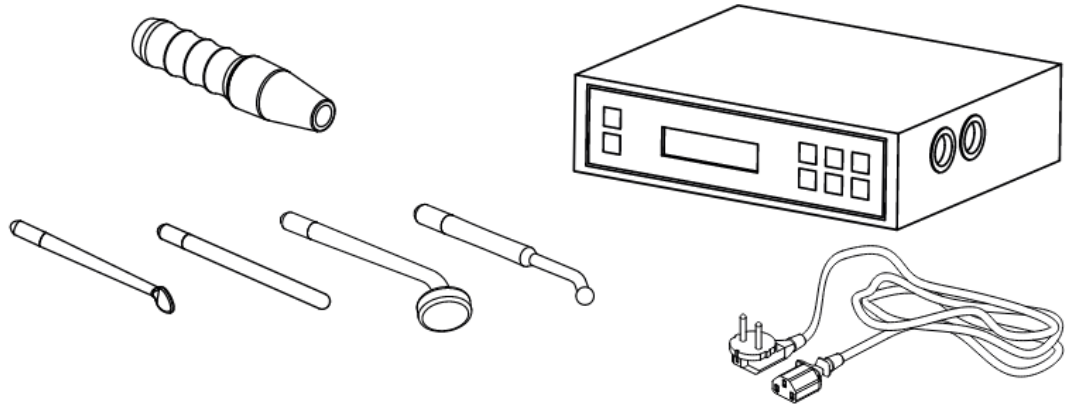


High Frequency Skin Care Unit

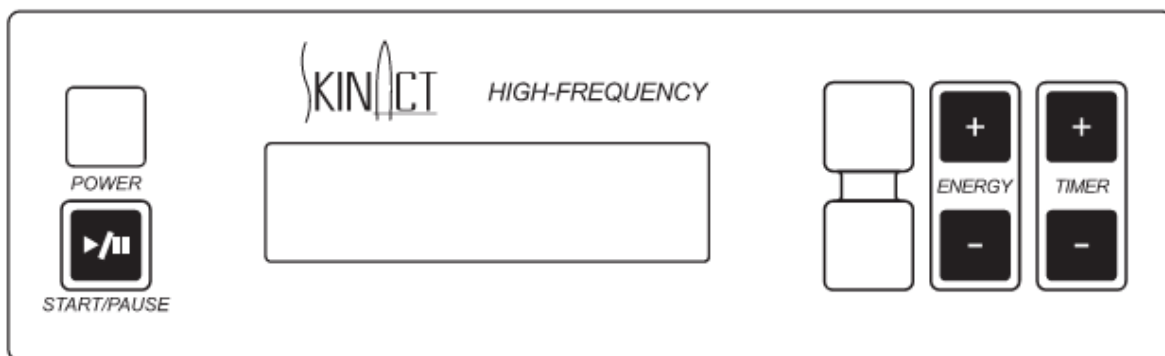
SKU25358

Package Contents

- These components are subject to change without prior notice.
- Appearance of product may differ from the image.



Front Panel



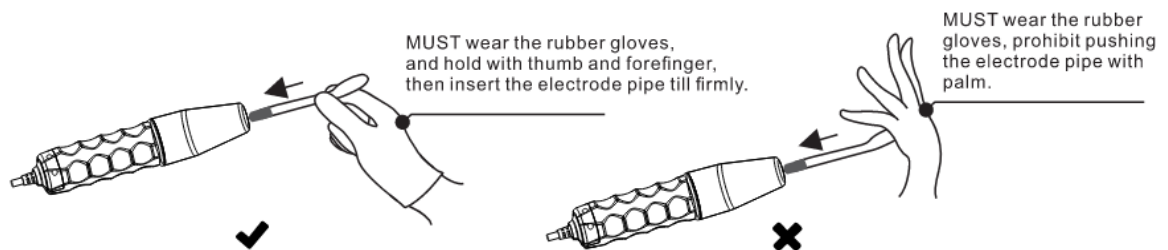
Operation Cautions

- **Warning**
 - It is forbidden to touch the output interface of the main machine or the handle when the machine is powered on.
 - Do not point the tube directly or in contact with the eye area.
- **This product is prohibited for the following people and parts:**

- Pregnant women and those equipped with adjusters (e.g., cardiac adjusters).
 - People with vascular diseases and high skin sensitivity.
 - Having metal implants or metal dentures embedded in the body.
 - People with skin wounds and other conditions.
 - Body parts with thick hair.
- **Do not use skin lotions containing alcohol, as alcohol is highly flammable. If alcohol-based toner is required, only apply it after using this product.**
 - **Do not grasp the junction between the high-frequency handle and the electrode tube by hand during operation to avoid being shocked.**
 - **The skin retention time of each part should not exceed 5 seconds.**

Attention

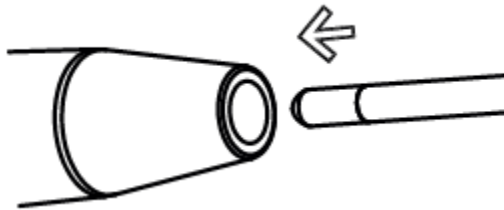
- Before each use, check whether the electrode tube or the metal head on the electrode tube is loose and whether the electrode tube is cracked or damaged. If so, do not use it and replace the electrode tube immediately.
- The current intensity must be gradually reduced to zero and the power switch must be turned off before the electrode tube can be inserted or pulled out.
- When inserting or pulling out the electrode tube, first wear rubber gloves and hold the electrode tube with thumb and forefinger; insert the tube to the bottom of the hole until it is firm, and do not push the tube vigorously, so as to prevent the metal head on the electrode tube from falling off or breaking, which may cause injury.



- When in use, the high voltage current output from the electrotherapy tube will cause interference. It is forbidden to approach the host machine and other electrical appliances of the high-frequency electrotherapy beauty instrument. If it interferes with the host, it may cause the host to not work or crash.
- When the electrode tube is less than 2.5cm from the skin but not in contact with the skin, the current intensity should be reduced immediately if sparks are emitted to irritate the skin. If the customer still feels the spark after the above operation, a small piece of dry cotton towel (nylon or other synthetic fibers towels are not allowed) can be covered on the customer's face.
- When using, always keep the electrode tube not leaving the customer's skin. High-frequency indirect care: when turning on and off the instrument, one hand must always be in contact with the customer's skin, never leave the customer's skin.
- After use, the power must be turned off first, the electrode tube should be pulled out from the high-frequency handle and put into the accessory box.

INSTRUCTIONS OF USE

- Connect the power supply via the rear panel.
- Connect the accessories properly in the lateral panel.
- Select the proper glass electrode pipe and insert the metal cap end into the output mouthpiece of the handle (try not to touch the glass electrode with your hands or any metal objects).



Glass electrode pipe assignment position

- a. Mushroom-shaped electrode pipe: used for large areas of skin (face, forehead, neck, etc.)
- b. Ladle-shaped electrode pipe: used for medium areas of skin (chin, etc.)
- c. Ball-like electrode pipe: used for small areas of skin (nose, etc.)

- d. Straight electrode pipe: used for indirect treatment.
- Switch the unit on by pressing the "POWER" button and make sure the "ENERGY" is set to the minimum.
- Select the desired treatment time by adjusting "TIME".
- Press the "START/PAUSE" button to start the treatment.
- Make sure you put your index finger on the glass electrode before you touch the client's skin. Afterwards touch the treatment area with the glass electrode. You can then slowly adjust the output using "ENERGY".
- During the course of the treatment, when changing electrodes you should return the output to the minimum level before swapping the electrodes, and then slowly adjust the energy level and return in to the appropriate intensity required.
- At the end of the treatment, slowly reduce the "ENERGY" level to the minimum output and then switch the "POWER" button off before removing the electrode from the customer's face.

Indirect Usage

- Select the straight glass electrode and insert the metal cap end into the output mouthpiece of the handle.
- Give the handset to the customer, making sure they hold the glass electrode and not the handset.
- Switch on the unit by pressing the "POWER" button and make sure the "ENERGY" is set to the minimum.
- Select the desired treatment time by adjusting "TIME".
- Press the "START/STOP" button to start the treatment.
- Slowly adjust the output using "ENERGY".
- Carry out the facial massage or treatment using the prescribed product as required. During the whole treatment process, make sure you do not touch or come into contact with the glass electrode being held by the customer.
- At the end of the treatment, slowly reduce the "ENERGY" level to the minimum output and then switch the "POWER" button off.

CAUTIONS

- The glass electrode pole will sparkle when it is still less than one inch away from the skin with the instrument switched on. In this case, reduce the energy of the high-frequency unit. If the customer still feels the sparkle, they may cover their face with a small, dry cotton towel but never with a nylon or synthetic one.
- Before removing the glass electrode from the skin, decrease the "ENERGY" to its minimum setting, then switch the power off before removing it from the skin.
- Customers should not be allowed to wear any metal objects or jewelry; all items must be removed prior to beginning any treatment.
- High-frequency treatments should not be carried out on pregnant women, or any persons using a pace-maker (or any electrical or rhythmic heart-regulating device).
- The products used with the high-frequency treatment must not contain any alcohol or spirit-based substances in order to prevent accidental combustion from arcing.
- Never touch the inner eye (eyeball) area with any high-frequency electrode.
- Only hold the handle of the high-frequency handset.

MAINTENANCE

Glass electrode pipes must be kept clean and dry, and should be sterilized before or after each use.

TECHNICAL SHEET

Weights and sizes	Product size (cm)	20.7×22×7
	Gross weight (kg)	3.5
Electrical characteristics	Rated voltage	AC 100-120V
	Frequency	50/60Hz
	Rated power	10 W

1-800-418-0830 TOLL FREE

1-818-834-6640 INTERNATIONAL

Address: 9667 Canoga Ave, Chatsworth, CA 91311

SKIN+ACT