

Hydraulic Chair With Stool Specifications Sheet



SKIN+ACT

Toll Free: 1.800.418.0830

www.skinact.com
www.spaandequipment.com

International: 818.834.6640

NOTICE

No part of this document may be photocopied, reproduced, or translated into any other language without prior written consent of Spa and Equipment/SkinAct.

The information in this document is subject to change without notice at any time and should not be construed as a commitment by Spa and Equipment/SkinAct.

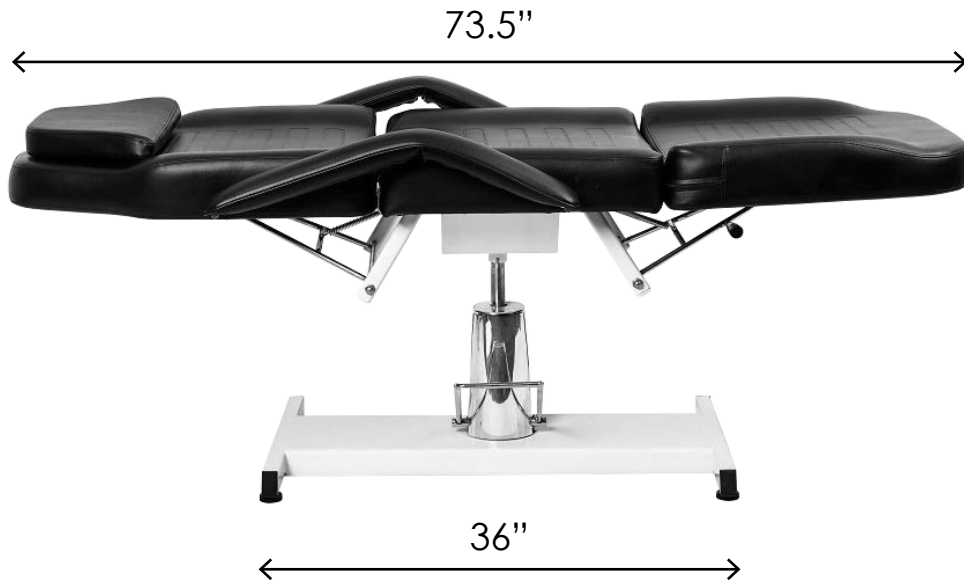
Spa and Equipment/SkinAct assumes no responsibility for any errors that may be in this document, nor does it make expressed or implied warranty with regard to this material, including, but not limited to, the implied warranties of merchantability and fitness for a particular purpose.

Spa and Equipment/SkinAct shall not be liable for incidental or consequential damages arising out of the furnishing, performance, or use of this document and the program material which it describes.

SKIN+ACT

Toll Free: 1.800.418.0830	www.skinact.com www.spaandequipment.com	International: 818.834.6640
---------------------------	--	-----------------------------

Measurements



Measurements



Optional Plastic Foot Cover



Highlights

Movements:

- Manual backrest angle adjustment
- Manual leg rest angle adjustment
- Manual height adjustment (hydraulic pump assisted)
- Manual removable arm rests

Dimensions/Specifications:

- Length: 73.5"
- Width without arm rests: 25"
- Width with arm rests: 32"
- Heights: 24" - 29"
- Base dimensions (BASE ONLY): 36" x 21.5"
- Backrest angle: 0° flat to 69° incline
- Leg rest angle: 0° flat to 69° decline
- Weight: 100 lbs
- Capacity of 300 lbs
- Colors available: White or Black
- Unit arrives fully assembled
- Comes with a FREE beauty stool in matching color
- Rotates 360° (Only when the chair is raised to the highest setting)
- Rotation can be stopped with courtesy stopper
- Removable pillow

* All height measurements are from the ground to the top of the cushion *

** All measurements have a 0.25 to 0.75 inch tolerance **

Warranty Information:

- 1-year warranty