

Lotus Electric Spa Treatment Table Specifications Sheet



SKIN+ACT

Toll Free: 1.800.418.0830

www.skinact.com
www.spaandequipment.com

International: 818.834.6640

NOTICE

No part of this document may be photocopied, reproduced, or translated into any other language without prior written consent of Spa and Equipment/SkinAct.

The information in this document is subject to change without notice at any time and should not be construed as a commitment by Spa and Equipment/SkinAct.

Spa and Equipment/SkinAct assumes no responsibility for any errors that may be in this document, nor does it make expressed or implied warranty with regard to this material, including, but not limited to, the implied warranties of merchantability and fitness for a particular purpose.

Spa and Equipment/SkinAct shall not be liable for incidental or consequential damages arising out of the furnishing, performance, or use of this document and the program material which it describes.

SKIN+ACT

Toll Free: 1.800.418.0830	www.skinact.com www.spaandequipment.com	International: 818.834.6640
---------------------------	--	-----------------------------

Measurements



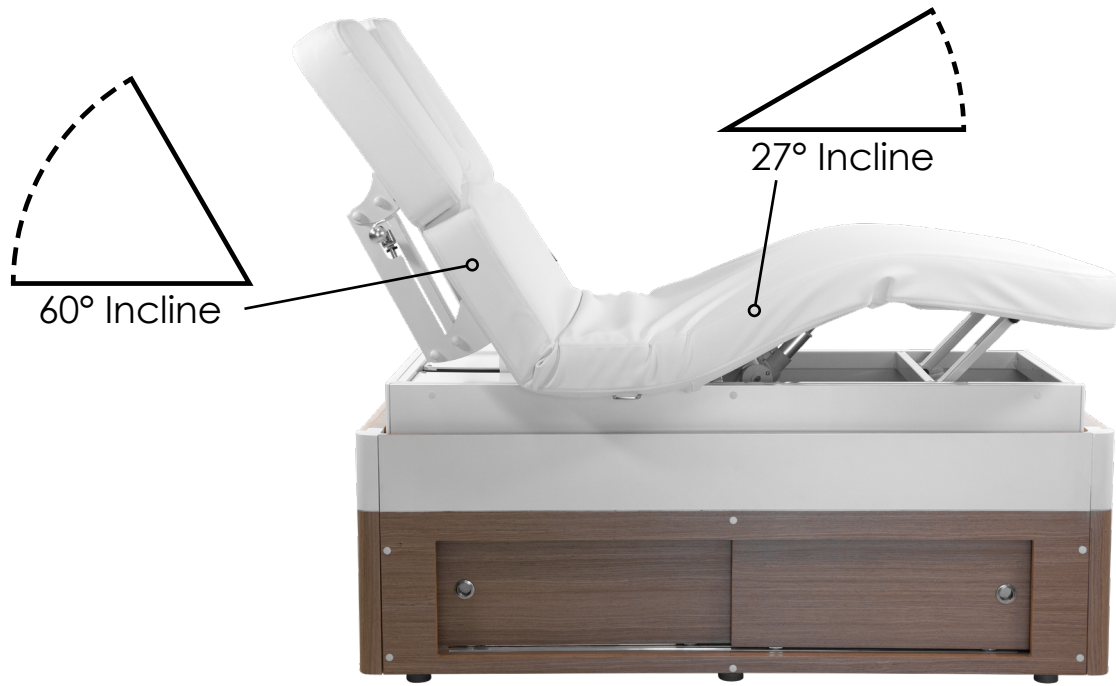
Adjustable
Height:
25" - 31"



Measurements



Measurements



Highlights

Movements:

- Electric backrest angle adjustment
- Electric leg rest angle adjustment
- Electric height adjustment
- Manual drop-down arm rests (air-gas pump assisted)
- Note: The backrest and leg rest sections operate independently of each other

Dimensions/Specifications:

- Length: 77.5"
- Width: 31.5"
- Heights: 25" - 31"
- BASE ONLY Dimensions: 59"L x 22"W
- Back cushion adjustable from 0° flat to 60° incline
- Center cushion adjustable from 0° flat to 27° incline
- Weight: 280 lbs
- Capacity of 600 lbs
- Cushion Thickness: 4" (two-layer smart compressed foam)
- Color available: White upholstery with a modern Grey Wood base
- Fully electric top is outfitted with Lotus proprietary "skin touch" padding
- Premium firm 2-layer foam upholstered with long-lasting easy care leatherette

* All height measurements are from the ground to the top of the cushion *

** All measurements have a 0.25 to 0.75 inch tolerance **

Warranty:

- 1-year warranty