

# Portable Foot Spa

## With JET & LED

User Manual



[www.skinact.com](http://www.skinact.com) | [www.spaandequipment.com](http://www.spaandequipment.com)

Toll Free: 1.800.418.0830

# Copyright © 2025 SkinAct, All Rights Reserved

## NOTICE

No part of this document may be photocopied, reproduced, or translated into any other language without prior written consent of SkinAct.

The information in this document is subject to change without notice at any time and should not be construed as a commitment by SkinAct. SkinAct assumes no responsibility for any errors that may be in this document, nor does it make expressed or implied warranty with regard to this material, including, but not limited to, the implied warranties of merchantability and fitness for a particular purpose.

SkinAct shall not be liable for incidental or consequential damages arising out of the furnishing, performance, or use of this document and the program material which it describes.

# SKIN+ACT

[www.skinact.com](http://www.skinact.com) | [www.spaandequipment.com](http://www.spaandequipment.com)

Toll Free: 1.800.418.0830

# Important Safety Instructions

## Before Use

- Carefully read this manual before connecting, operating, or adjusting the foot washing tray, and keep it for future reference.
- This electric footbath uses a three-wire power cable and must be plugged into a grounded three-hole outlet to ensure safe operation and prevent electric shock. Proper grounding also ensures the normal function of the footbath.
- Do not immerse plugs, buttons, or connecting cables in water or other liquids.
- If any plugs, buttons, or cables become damaged, stop using the product immediately.
- Maintenance and repairs should only be performed by trained professionals.
- 

## Precautions

1. Do not use if you have osteoporosis or heart conditions.
2. Pregnant or menstruating individuals should avoid using this product.
3. Those with physical injuries or skin conditions should not use this product.
4. Children under 14 and individuals with impaired consciousness should only use the product under supervision.
5. Before use, check the power cord and plug for damage. If damaged, have them replaced by a qualified professional.
6. Ensure that the voltage matches the product's requirements to prevent damage.
7. To avoid electric shock, do not plug or unplug the device with wet hands.
8. Do not turn on the power until the product is fully assembled.
9. Keep the power cord positioned safely to prevent tripping hazards.
10. Clean the surface with a soft towel and a mild, diluted neutral detergent.
11. Unplug the device when not in use.
12. Do not disassemble or attempt repairs yourself. Contact an authorized service provider for maintenance.

# Maintenance and Care

To ensure the longevity and hygiene of your Portable Foot Spa Machine, follow these maintenance guidelines:

## Daily Cleaning

1. Drain and Rinse: After each use, drain the water completely and rinse the basin with clean, warm water.
2. Clean with Mild Disinfectant: Use a non-abrasive, EPA-registered disinfectant or a mixture of warm water and mild soap to wipe down the basin and all exposed surfaces. Avoid harsh chemicals that may damage the machine.
3. Brush and Scrub: Use a soft brush to clean any debris or residue from jets, drains, and crevices.
4. Rinse and Dry: Rinse thoroughly with clean water and wipe dry with a soft cloth.

## Weekly Deep Cleaning

1. Fill with Cleaning Solution: Fill the basin with warm water and add a disinfectant or vinegar solution.
2. Run the System: If the machine has jets, allow it to run for 10–15 minutes to flush out any buildup.
3. Drain and Rinse: Drain completely and rinse thoroughly.
4. Dry Completely: Ensure the basin and all components are completely dry before storing or covering to prevent moisture buildup.

## General Maintenance

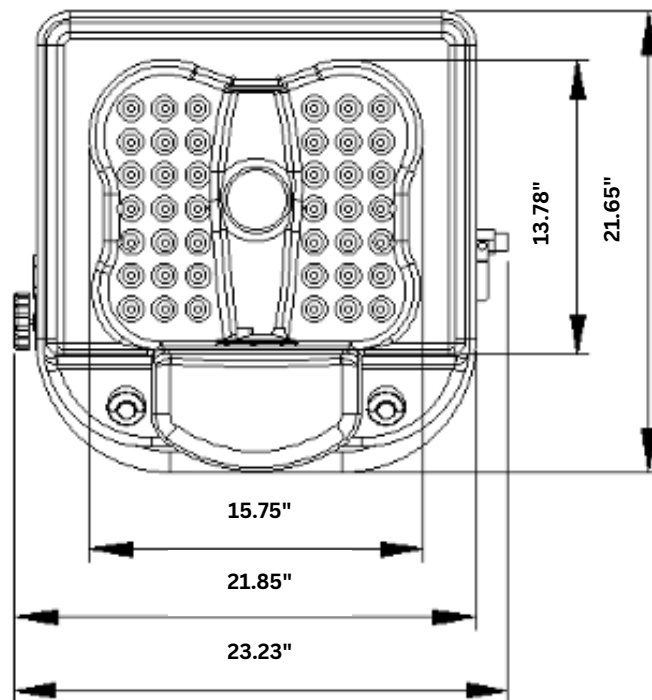
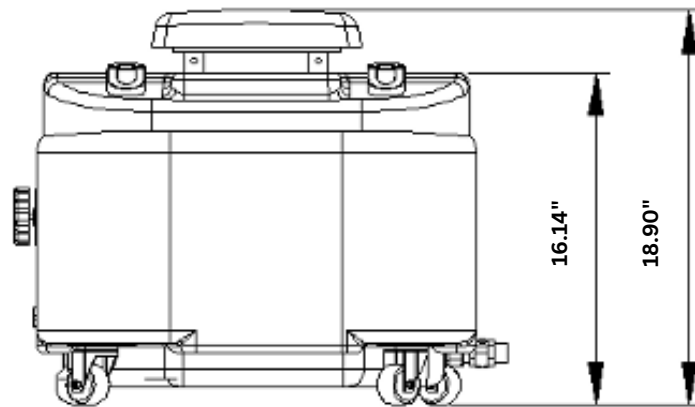
- Inspect Regularly: Check for any signs of wear, leaks, or buildup in the drainage system.
- Avoid Standing Water: Do not leave water in the foot spa for extended periods, as this may promote bacteria and mold growth.
- Store Properly: Keep the machine in a dry, ventilated area when not in use.

## Important Notice

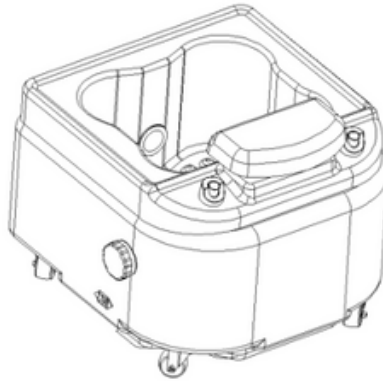
SkinAct is not responsible for any bacteria, mold, or contamination resulting from improper use, insufficient cleaning, or failure to follow maintenance instructions. Proper hygiene and routine maintenance are the user's responsibility to ensure a safe and sanitary experience.


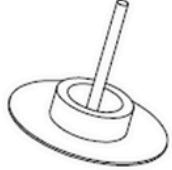
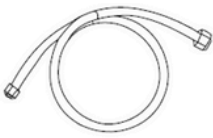
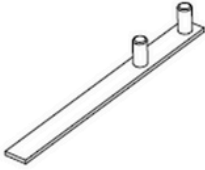
## Specification and Dimensions

- Size: 23.2" x 21.7" x 18.9"-22.4"
- Net Weight: 33 lbs
- Gross Weight: 37.5 lbs
- Input Voltage: AC 100-130V / 220-240V, 50/60Hz
- Output Voltage: DC 24V
- Rated Power: 55W



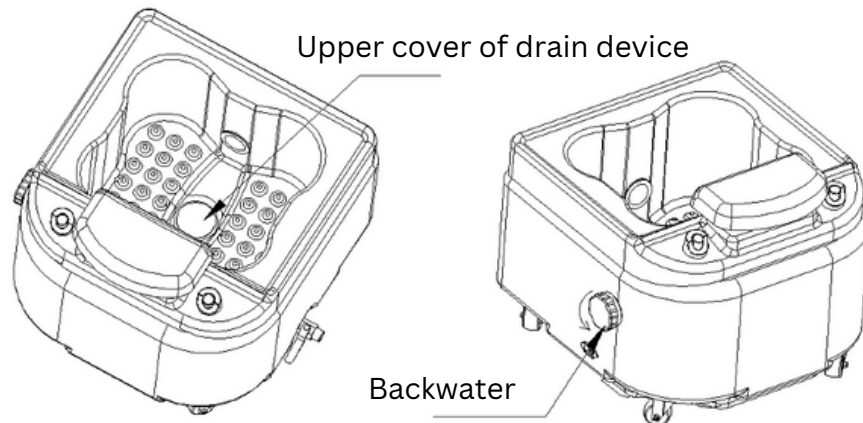
## Parts List



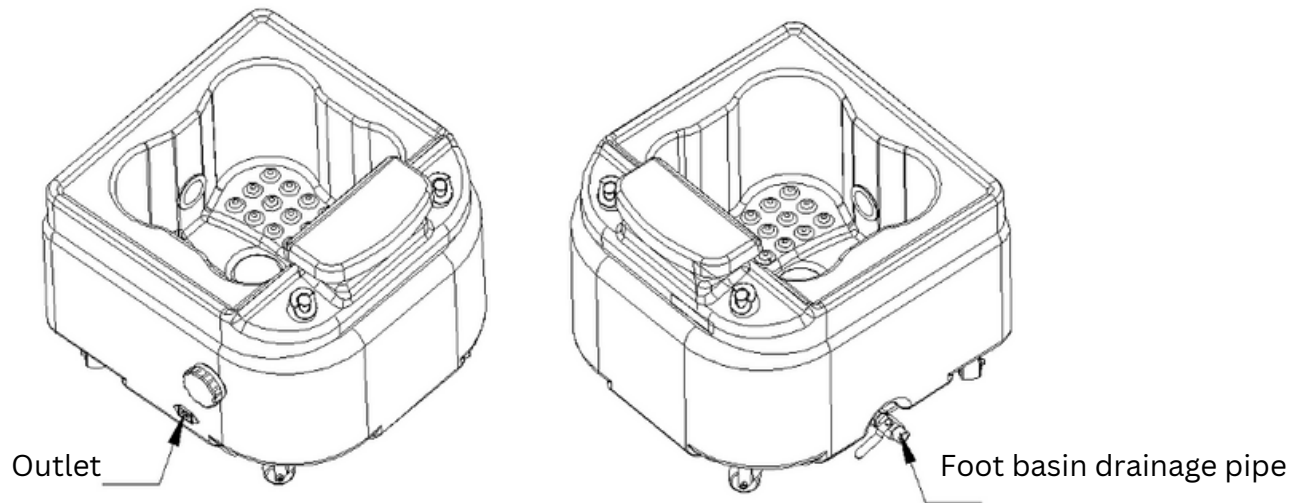
			
Power cord	Cover the drain device	Steel wire hose	Aseptic pump tool
PCS: 1	PCS: 1	PCS: 1	PCS: 1

## Installation Instructions

1. Open the cardboard box and align the drain cover with the drain hole. Insert the cover into the drain. Rotate the return water device counterclockwise to secure the drain cover in place.

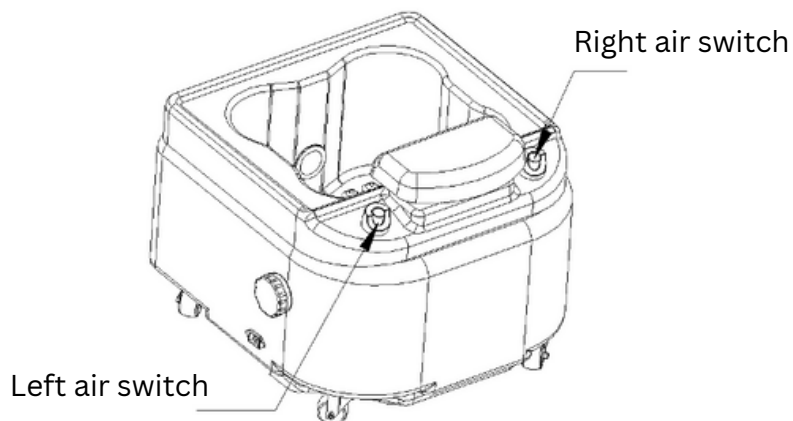


2. Attach the drainage hole to the steel wire hose and connect the power cord to the power socket to complete the installation of the foot basin, as illustrated in the figure below:

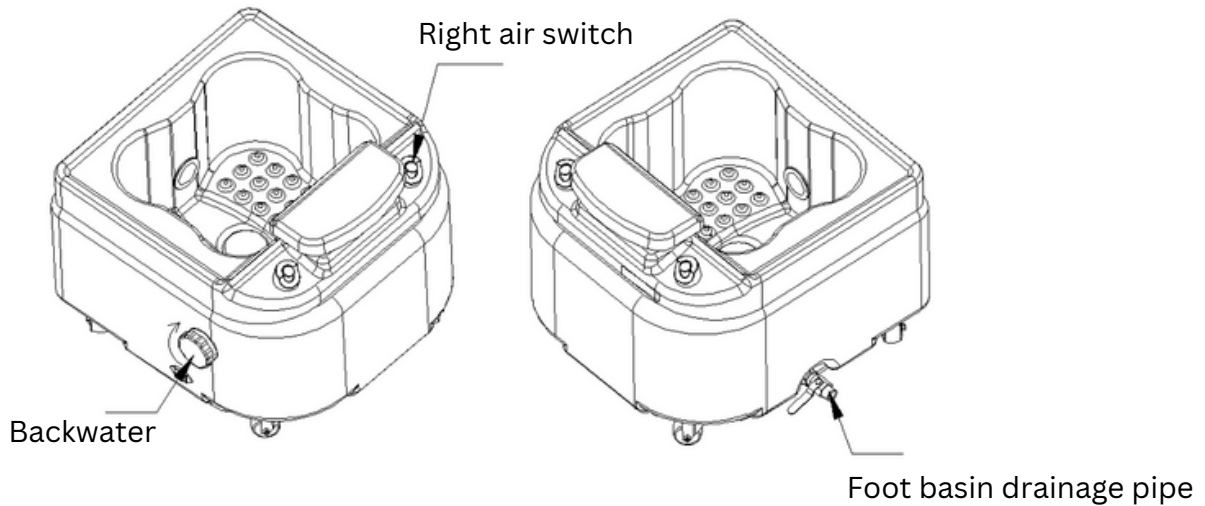


## Instructions

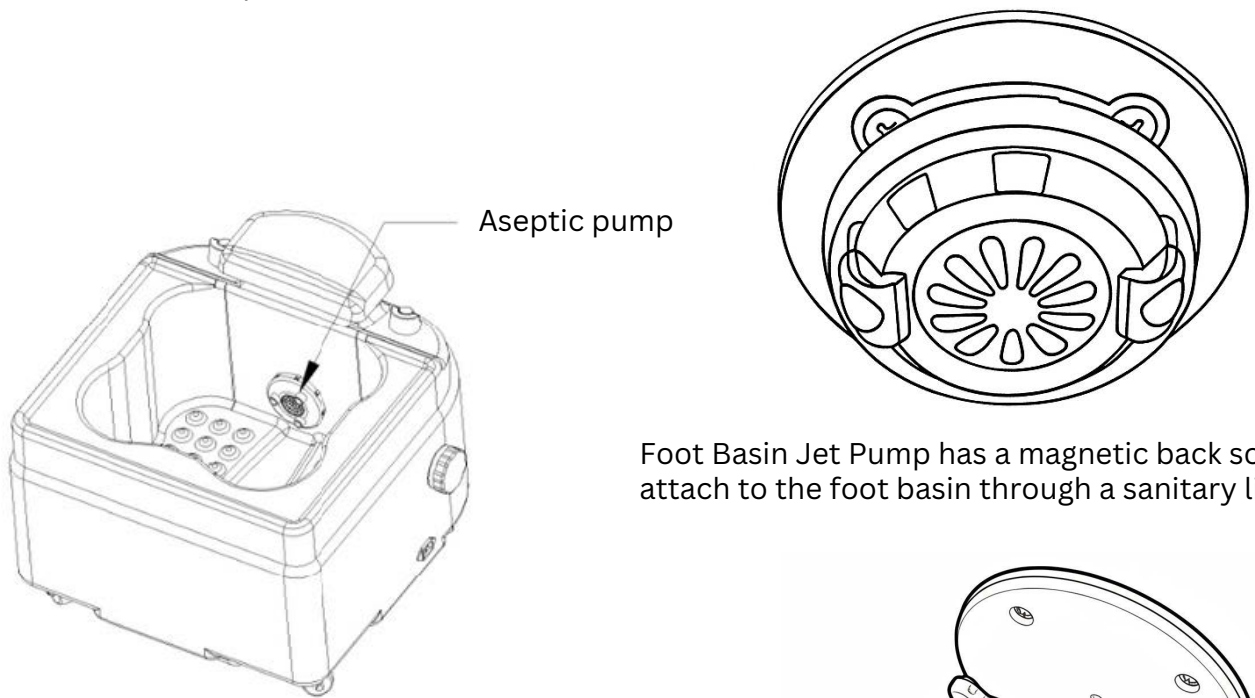
1. Foot Hydrotherapy Function: After manually injecting water, press the left air switch to activate the sterile pump and color light, allowing you to enjoy the foot hydrotherapy function. Press the right air switch to initiate drainage, as shown in the following figure.



2. Post-Use Drainage: After use, turn the water return device clockwise to open the upper cover of the drain. Open the drainage pipe and press the right air switch to drain the sewage, as shown in the following figure.



### 3. Sterile Pump



Foot Basin Jet Pump has a magnetic back so it can attach to the foot basin through a sanitary liner.

Simply pull on the Jet Pump to remove.



## Product maintenance

### 1. Daily Cleaning:

Dust on the product can be wiped off with a soft, dry cloth.

### 2. Removing Stubborn Dirt:

For tough stains, clean the surface with a soft towel dipped in diluted neutral detergent, then wipe it dry with a clean cloth.

### 3. Avoid Solvents:

Do not use solvents such as benzene, thinners, or gasoline, as they can cause corrosion to the surface of the product casing.

### 4. Storage and Usage Environment:

Avoid placing this product in environments with strong sunlight or high humidity to prevent damage.

### 5. Acceptable Operating Conditions:

This product can be used in environments with temperatures ranging from -5°C to 50°C and humidity levels between 45% and 85%.

## Fault Diagnosis

If you encounter any issues while using the product, try the following troubleshooting steps:

Phenomenon	Diagnosis	Exclusion Operation
Strange noise from the foot wash tray	Loose screw	Tighten all screws securely
Sterile pump not operating	Power plug not properly connected	Unplug and reinsert the power plug

Note: Any improvements to the product that do not affect its basic structure, performance, or appearance will not be separately notified.