

# Round 5x Diopter Magnifying Lamp (SKU16173)



SKIN+ACT

Toll Free: 1.800.418.0830

[www.skinact.com](http://www.skinact.com)  
[www.spaandequipment.com](http://www.spaandequipment.com)

International: 818.834.6640

## NOTICE

No part of this document may be photocopied, reproduced, or translated into any other language without prior written consent of Spa and Equipment/SkinAct.

The information in this document is subject to change without notice at any time and should not be construed as a commitment by Spa and Equipment/SkinAct.

Spa and Equipment/SkinAct assumes no responsibility for any errors that may be in this document, nor does it make expressed or implied warranty with regard to this material, including, but not limited to, the implied warranties of merchantability and fitness for a particular purpose.

Spa and Equipment/SkinAct shall not be liable for incidental or consequential damages arising out of the furnishing, performance, or use of this document and the program material which it describes.

# SKIN+ACT

Toll Free: 1.800.418.0830	<a href="http://www.skinact.com">www.skinact.com</a> <a href="http://www.spaandequipment.com">www.spaandequipment.com</a>	International: 818.834.6640
---------------------------	--	-----------------------------

# User Manual

## 1. Function

The magnifier lamp uses incandescent light, which is projected onto the skin and magnified through a convex lens. This allows pore tissue on the skin to be clearly visible.

Beauticians may use the magnifier for eyebrow shaping, scar removal, and nevus treatment.

## 2. Construction Overview

A. Power Switch

B. Light Base

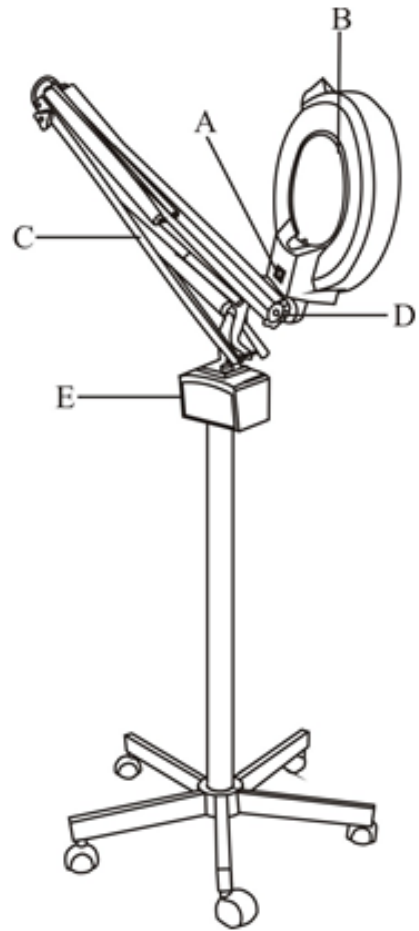
C. Movable Arm

D. Triangular Knob

E. Power Supply Box

F. Pipe

G. Stand



## 3. Operation Procedures

1. Assemble the stand and pipe.

2. Insert the luminescent magnifier into the pipe.

3. Loosen the three triangular knobs on the movable arm and adjust the arm to the desired angle.

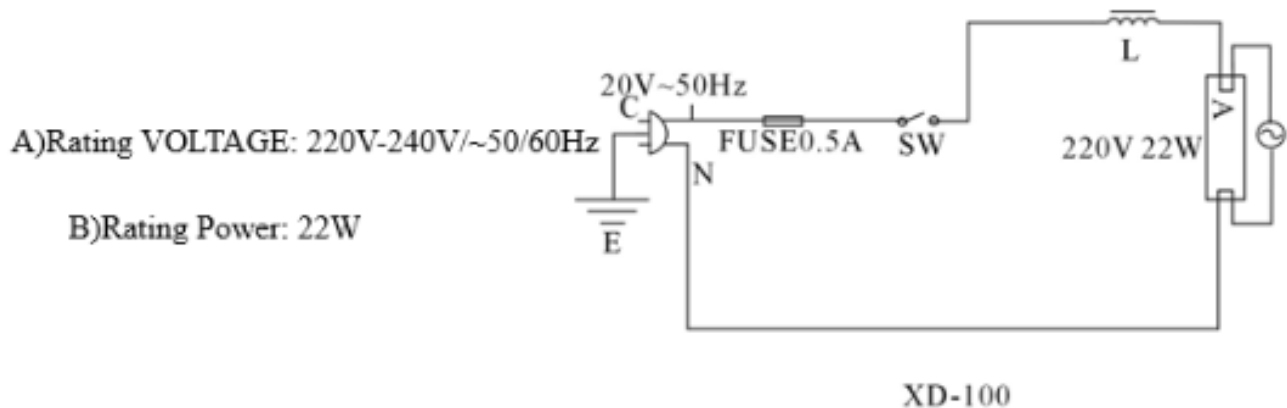
4. Turn the light base to the desired position and press the power switch to turn on.

## 4. Precautions

1. Adjust the movable arm gently to avoid damage.
2. The light base can be rotated up to 180°. Do not exceed this limit, or the power cord may be damaged.
3. If the power cord is damaged, replace it with the same type of cord under the guidance of a professional technician.

## 5. Technical Specifications

- Rated Voltage: 220V–240V / 50–60Hz
- Rated Power: 22W



## 6. Warnings

1. This appliance is not intended for use by persons (including children) with reduced physical, sensory, or mental capabilities, or by those lacking experience and knowledge, unless supervised by a responsible person for safe use.
2. Children must be supervised to ensure they do not play with the device.