

# Pro Glass Cart With 3 Shelves (SKU16326)



**SKIN+ACT**

Toll Free: 1.800.418.0830

[www.skinact.com](http://www.skinact.com)  
[www.spaandequipment.com](http://www.spaandequipment.com)

International: 818.834.6640

## NOTICE

No part of this document may be photocopied, reproduced, or translated into any other language without prior written consent of Spa and Equipment/SkinAct.

The information in this document is subject to change without notice at any time and should not be construed as a commitment by Spa and Equipment/SkinAct.

Spa and Equipment/SkinAct assumes no responsibility for any errors that may be in this document, nor does it make expressed or implied warranty with regard to this material, including, but not limited to, the implied warranties of merchantability and fitness for a particular purpose.

Spa and Equipment/SkinAct shall not be liable for incidental or consequential damages arising out of the furnishing, performance, or use of this document and the program material which it describes.

# SKIN+ACT

Toll Free: 1.800.418.0830	<a href="http://www.skinact.com">www.skinact.com</a> <a href="http://www.spaandequipment.com">www.spaandequipment.com</a>	International: 818.834.6640
---------------------------	------------------------------------------------------------------------------------------------------------------------------	-----------------------------

# Assembly Guide

## Parts List

a – Side frames (2 pcs)

b – Bottom shelf with wheels (1 pc)

c1, c2 – Middle shelf frames (2 pcs)

d – Opposite side frame (1 pc)

e – Shelves (3 pcs)

M5×25 Screws – For assembly (set included)

## Assembly Steps

### 1. Attach Side Frames

- Place one side frame (a) on the ground.
- Align the bottom shelf (b) with the frame and fasten loosely using M5×25 screws. (Do not fully tighten screws at this stage.)

### 2. Install Shelf Frames

- Fix shelf supports (c1 and c2) onto the side frame, aligning smoothly with the designated positions.

### 3. Attach the Second Side Frame

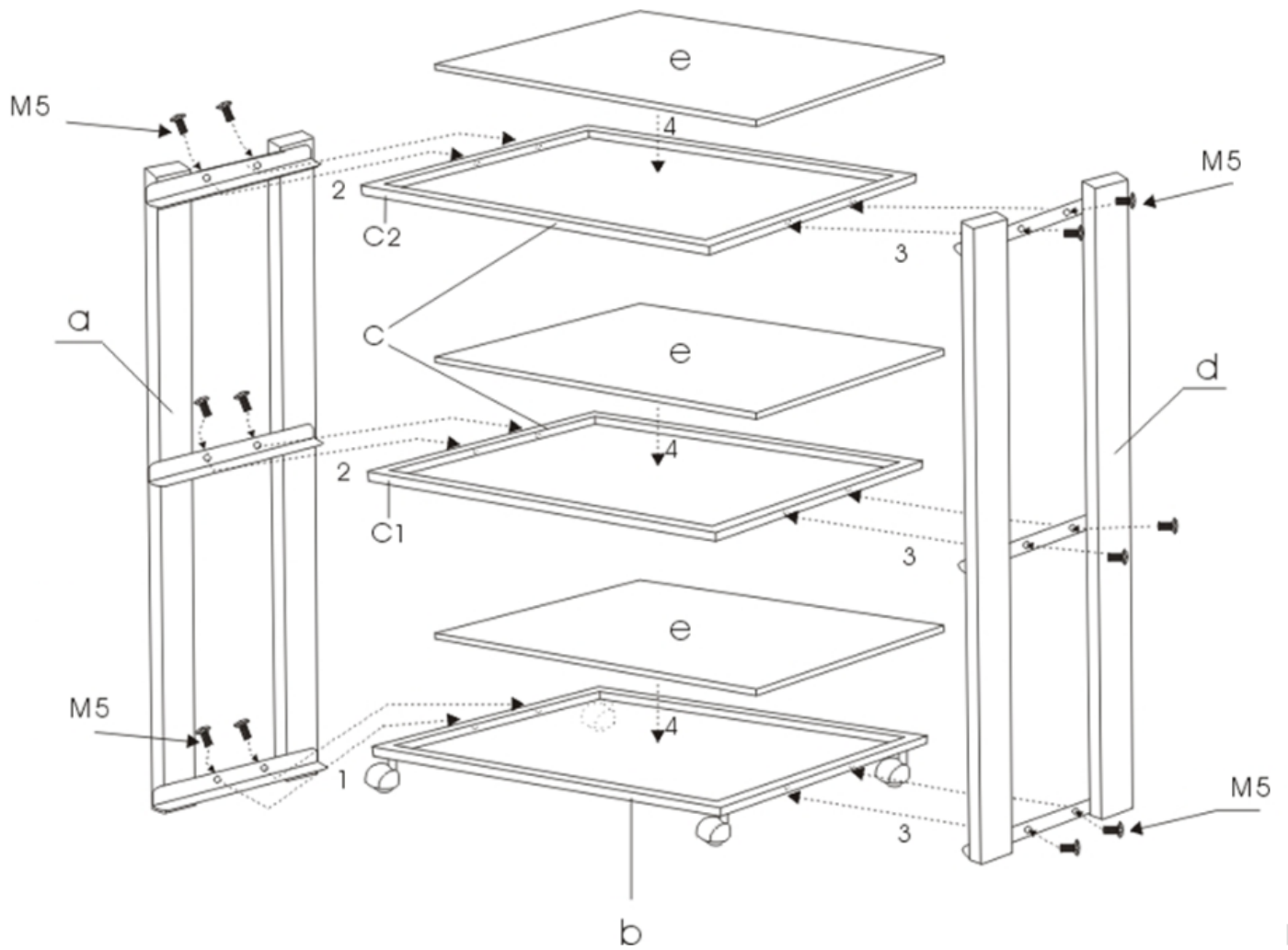
- Position the opposite frame (d) and connect it to the shelf supports and bottom shelf using M5×25 screws.
- Now tighten all screws securely.

## Insert Shelves

- Place the shelves (e) onto each support frame, ensuring they sit securely in place.

## Finish Assembly

- Stand the trolley upright.
- Ensure all screws are tightened and the unit is stable.



**Dimensions:**  
 32"H x 21"W x 16.5"D

**Top Tray Measurements:**  
 19.5"L x 15"W

Space Between Shelves: 13"