

# 12 Piece Hot Towel Cabinet, UL Certified (SKU16636)



**SKIN+ACT**

Toll Free: 1.800.418.0830

[www.skinact.com](http://www.skinact.com)  
[www.spaandequipment.com](http://www.spaandequipment.com)

International: 818.834.6640

## NOTICE

No part of this document may be photocopied, reproduced, or translated into any other language without prior written consent of Spa and Equipment/SkinAct.

The information in this document is subject to change without notice at any time and should not be construed as a commitment by Spa and Equipment/SkinAct.

Spa and Equipment/SkinAct assumes no responsibility for any errors that may be in this document, nor does it make expressed or implied warranty with regard to this material, including, but not limited to, the implied warranties of merchantability and fitness for a particular purpose.

Spa and Equipment/SkinAct shall not be liable for incidental or consequential damages arising out of the furnishing, performance, or use of this document and the program material which it describes.

# SKIN+ACT

Toll Free: 1.800.418.0830	<a href="http://www.skinact.com">www.skinact.com</a> <a href="http://www.spaandequipment.com">www.spaandequipment.com</a>	International: 818.834.6640
---------------------------	--	-----------------------------

## WARNING – UV MODELS ONLY

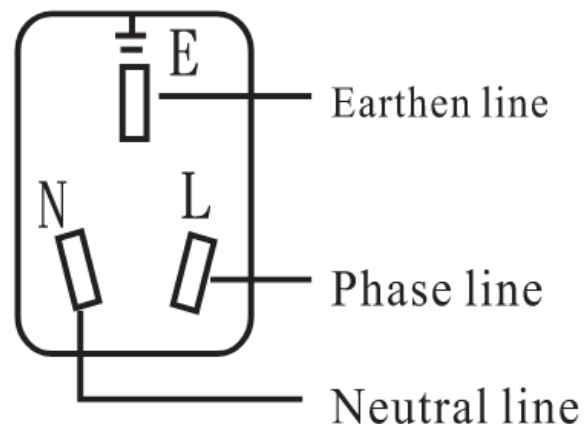
- This towel warmer with ultraviolet (UV) lamp operates only when the door is fully closed.
- If the door is open, UV radiation may be harmful to people.
- Never look directly at the UV lamp and never operate the unit with the door open.

## IMPORTANT NOTES

- Wring towels well before placing them in the towel warmer. They should be slightly damp, not dripping wet, to avoid excess water inside the cabinet.
- Do not overfill the cabinet. Leave space between the towels and the inner walls so the warm air can circulate.
- For models with UV lamp: always close the door completely before use to avoid exposure to UV rays.
- For models with UV lamp: the UV lamp turns on and off automatically during normal operation as controlled by the internal temperature system.

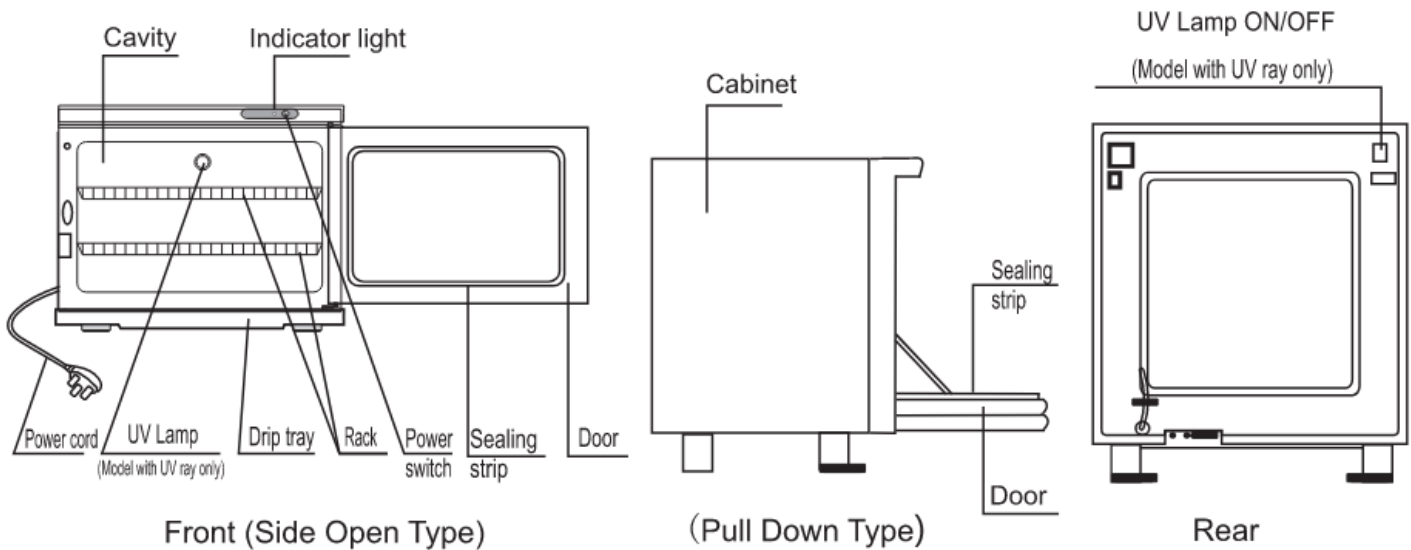
## SAFETY PRECAUTIONS

- Connect the unit only to a properly grounded (earthed) outlet.
- Warming time may be longer on very cold or freezing days.
- After each use, empty and clean the drip tray.
- UV lamp repairs must be performed only by Essential Med Tools or an authorized service center.



- Immediately switch OFF and unplug the unit if any abnormal condition occurs, such as:
  - Unusual noise
  - Burning smell
  - Excessive temperature
  - Presence of smoke
- Any internal repair must be performed by a licensed electrician and/or EMT.
- This product is not designed for use by children. Keep it out of reach of children.
- Repair or replacement of the power cord must be performed only by a licensed electrician.

## PARTS LIST



## **SPECIFICATIONS**

- Model Name: SKU16636
- Feature: Without UV Lamp
- Power Supply: 120 V ~ 60 Hz
- Power Input: 130 W
- Capacity: 8 L
- Warming Temperature: 158°F – 175°F (70°C – 80°C)
- UV Lamp Life: Not applicable (this model does not include a UV lamp)
- Heater Life: ≥ 3000 hours
- Rack Capacity: 40–45 wet towels or up to 10 facial towels
- Net Weight: 8.8 lb
- Product Size (H × W × D): 10.1" × 13.8" × 11.1"

## USER GUIDE

Place the towel warmer on a stable, level surface and plug it into a properly grounded outlet.

Wring towels so they are damp but not dripping, place them evenly on the rack, and close the door completely.

Press the ON switch. The indicator light will turn on and the towels will begin warming.

When finished, press the OFF switch. The indicator light will turn off and the towel warmer will stop operating.

Unplug the unit if it will not be used for an extended period.

## TROUBLESHOOTING

Symptom	Possible Cause	Solution
<b>Not working</b>	Plug not fully inserted or damaged	Check and reinsert plug; repair if needed
	Temperature controller failure	Replace temperature controller
	Power cord damaged	Replace power cord
<b>UV lamp not working</b> ( <i>UV models only</i> )	Door switch failure	Replace door switch
	UV lamp burned out	Replace UV lamp
<b>No heating</b>	Heater failure	Replace heater
	Temperature controller failure	Replace temperature controller

If the problem persists after performing the steps above, disconnect the unit and contact Essential Med Tools or a licensed service technician. Do not attempt further repairs yourself.