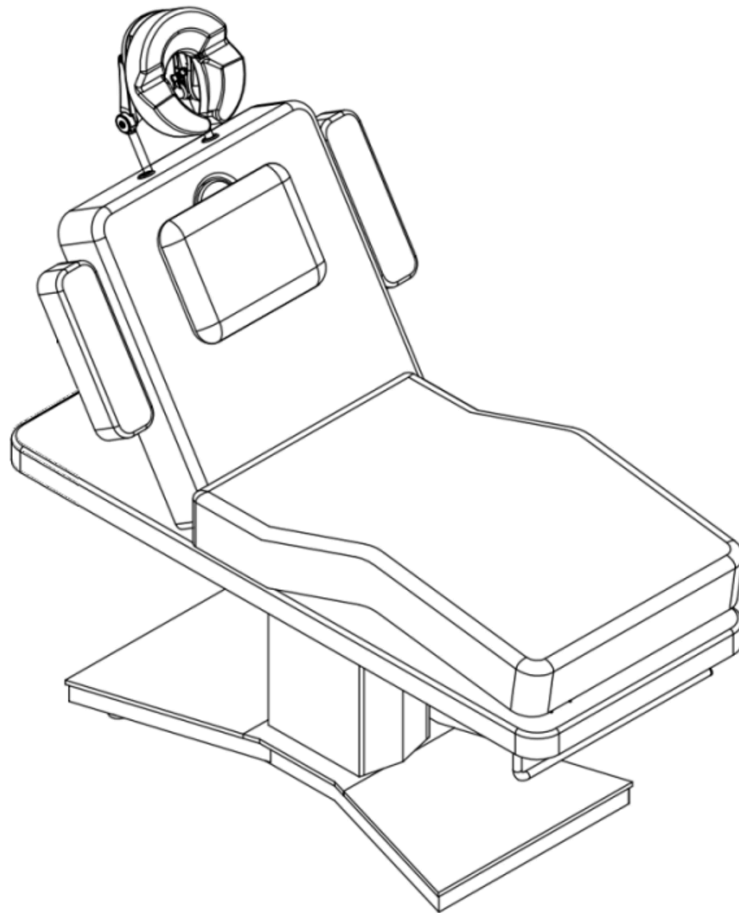


Milo Electric Massage And Facial Bed, Table

User Manual



SKIN+ACT

www.skinact.com | www.spaandequipment.com

Toll Free: 1.800.418.0830

Copyright © 2025 SkinAct, All Rights Reserved

NOTICE

No part of this document may be photocopied, reproduced, or translated into any other language without prior written consent of SkinAct.

The information in this document is subject to change without notice at any time and should not be construed as a commitment by SkinAct. SkinAct assumes no responsibility for any errors that may be in this document, nor does it make expressed or implied warranty with regard to this material, including, but not limited to, the implied warranties of merchantability and fitness for a particular purpose.

SkinAct shall not be liable for incidental or consequential damages arising out of the furnishing, performance, or use of this document and the program material which it describes.

SKIN+ACT

www.skinact.com | www.spaandequipment.com

Toll Free: 1.800.418.0830

Electric Beauty Bed Operating Instructions

Before connecting, operating, or adjusting this electric beauty bed, carefully read the instructions below and keep this manual in a safe place.

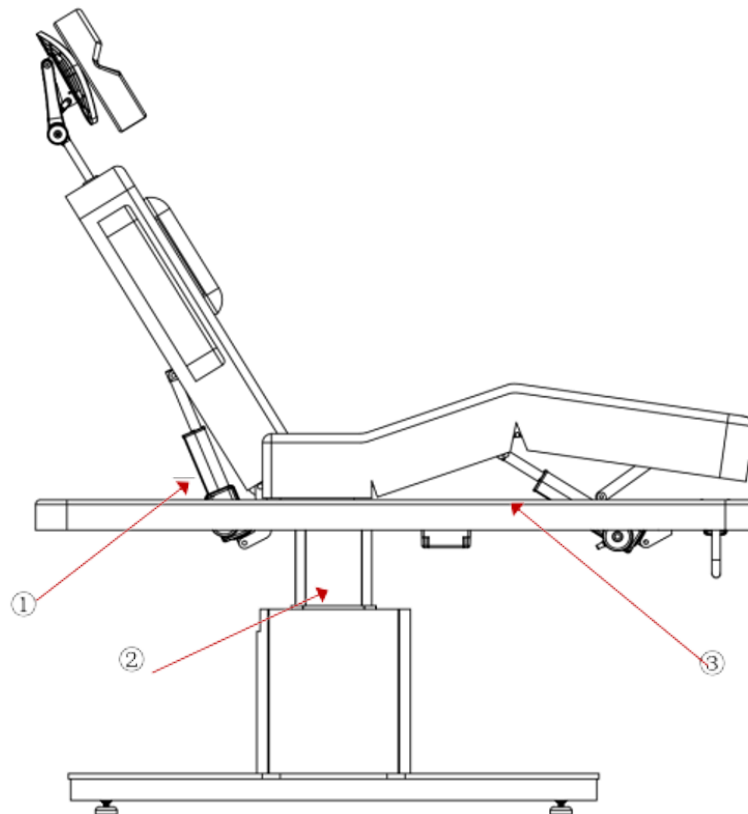
This electric beauty bed uses a three-wire power cable that must be plugged into a grounded three-hole power socket to ensure proper grounding. This prevents accidental electric shock and ensures the bed operates normally.

Avoid immersing plugs, buttons, or connecting cables in water or any other liquids during use.

When adjusting the height of the bed using the hand or foot control, ensure that hands, feet, or other body parts are not placed in positions ①, ②, and ③ as shown in the diagram.

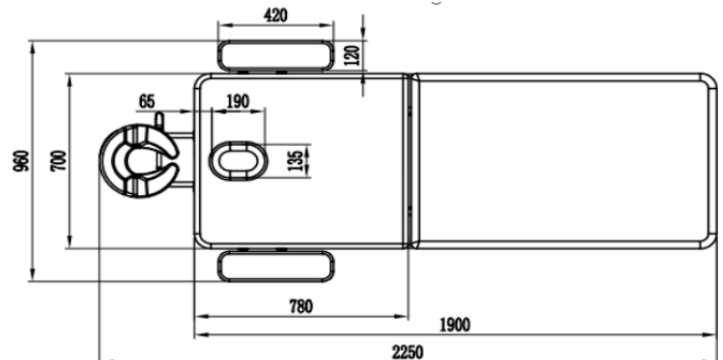
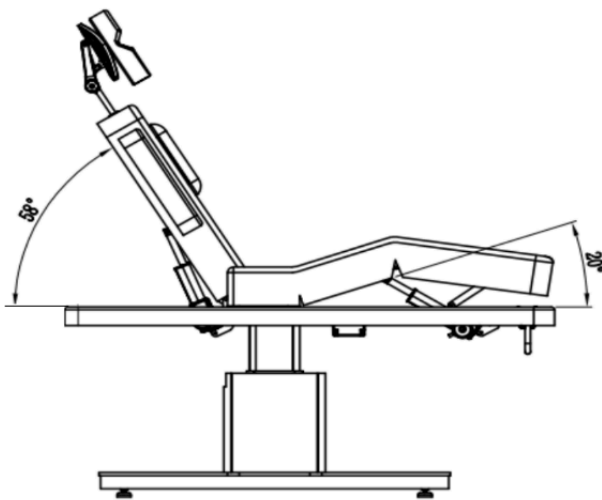
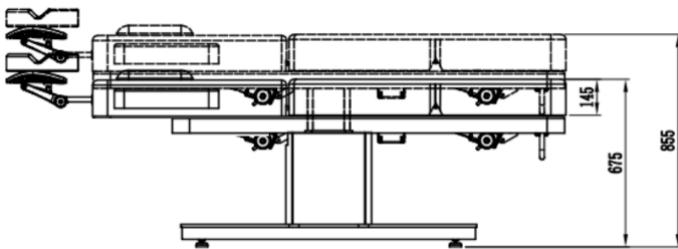
If any plugs, buttons, or cables are damaged, stop using them immediately. The electric push rod is designed for a maximum usage frequency of 6 minutes per hour.

Repairs must only be carried out by trained professionals.



Usage Guidelines and Precautions

1. Individuals with osteoporosis or heart problems should not use this product.
2. Pregnant or menstruating women are advised not to use this product.
3. Patients with physical trauma or skin conditions should avoid using this product.
4. Children under the age of 14 and individuals with impaired consciousness must not use this product without supervision.
5. Before use, check whether the power cord and plug are damaged. If damaged, they must be replaced by the operator or a qualified professional.
6. Confirm that the voltage used matches the product's specified safe voltage. Incorrect voltage may cause damage to the product.
7. To prevent electric shock, do not plug or unplug the power plug with wet hands.
8. Do not turn on the power before the product is fully installed.
9. Place the power cord properly to prevent pedestrians from tripping.
10. Use a soft towel with diluted neutral detergent for surface cleaning.
11. Unplug the power cord when the product is not in use.
12. Unauthorized disassembly or assembly of the product is not allowed. For repairs and maintenance, contact the local operator or a qualified professional.



Technical Parameters

- **Size:** 74.8 x 37.8 x 26.6 inches
- **Minimum Height:** 26.6 inches
- **Maximum Height:** 33.7 inches
- **Net Weight:** 222.7 lbs
- **Gross Weight:** 299.8 lbs
- **Carrying Capacity:** 330.7 lbs
- **Input Voltage:** AC 100–130V / 220–240V, 50/60Hz
- **Output Voltage:** DC 24V
- **Maximum Power:** 160W

Parts:

| Name | Quantity |
|---------------------|----------|
| Pillow holder | 1 |
| Pillow cushion | 1 |
| Left armrest | 1 |
| Right armrest | 1 |
| Small square pillow | 1 |
| Pillow stopper | 1 |

Manual controller button instructions:

① Hand controller switch (turn on the power to use various functions, turn off the power and the bed will automatically return to its original state, press again to stop the restoration).

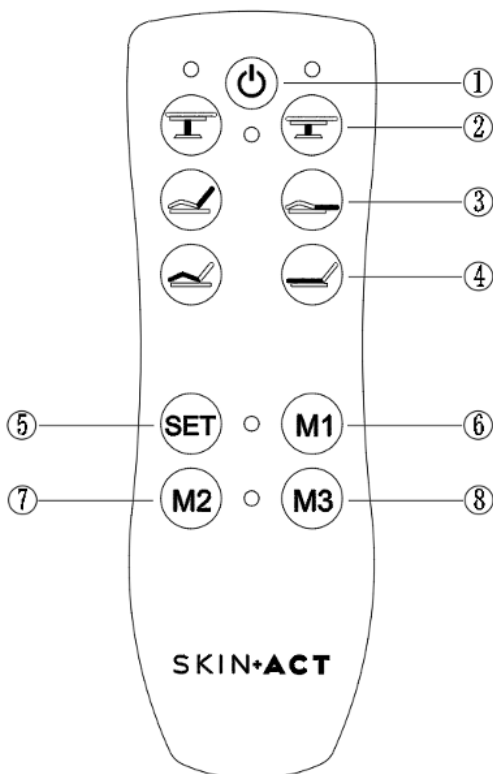
② button to control the overall rise or fall of the bed.

③ button to control the tilt angle of the backrest up or down.

④ button to control the tilt angle of the seat cushion.


⑤ button to set automatic mode.


⑥⑦⑧ button is the automatic mode button. Pressing any button will automatically adjust the bed to the pre-set height and angle.

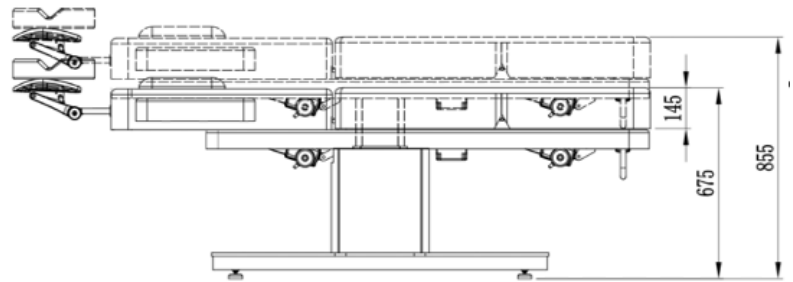


Note: To set the automatic mode, adjust the states of the lifting, tilting, and backrest parts. Press and hold the “SET” until the blue light next to it lights up to activate the memory function, and then press the “M1” to set the memory state. The setting method of “M2” and “M3” memory state is the same.



Height adjustment:

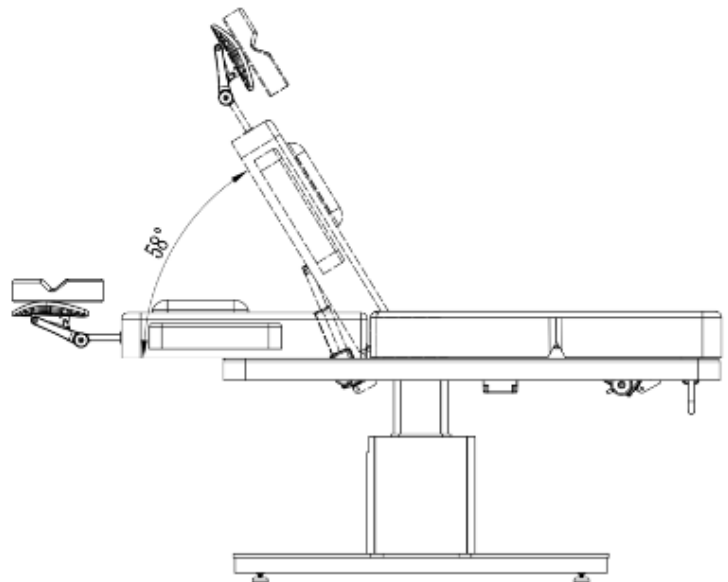
Turn on the power switch, press the , and the bed will rise as a whole

Press the  and the bed will descend as a whole. As shown in the figure





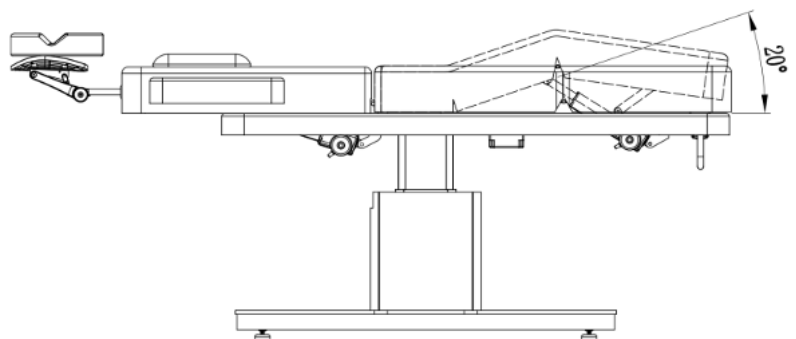
Backrest adjustment:

Press  or  adjust the tilt angle of the backrest, with a maximum adjustable angle of 58°. As shown in the figure.



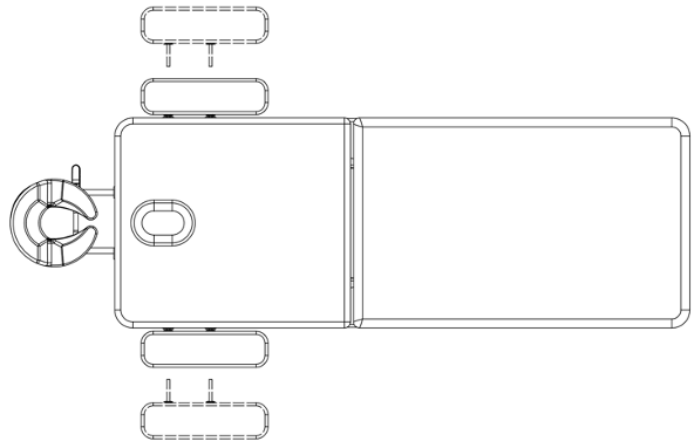
Leg Pad Adjustment:

Press  or  adjust the tilt angle of the leg pad, with a maximum adjustable angle of 20°. As shown in the figure.



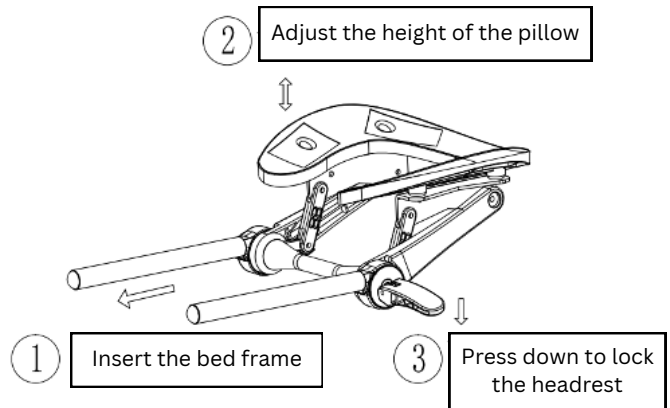
Use of handrails:

Insert and remove the armrest in the direction of the arrow in the picture. As shown in the figure:



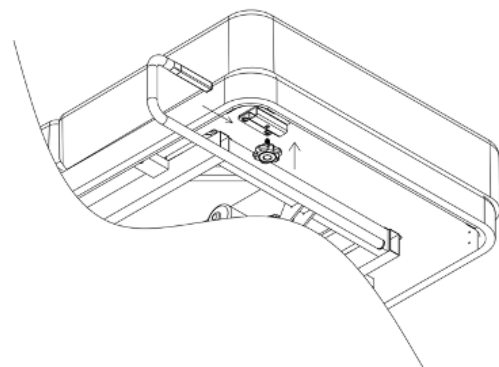
Use of Pillow:

Insert the two feet of the pillow into the two holes on the bed, then adjust the angle of the pillow up and down. After adjusting the angle, press down the handle on the side to fix the pillow. As shown in the figure:



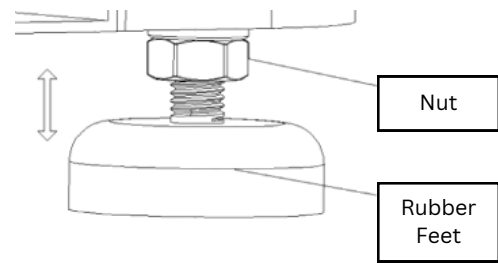
Use of roll paper holder:

Insert the paper holder and tighten the large plum blossom knob. As shown in the figure:



Rubber foot adjustment method:

Rotate and adjust the height of the rubber feet to solve some uneven ground conditions. After adjusting the height, tighten and fix it with a nut upwards, as shown in the figure:



Cleaning and Maintenance Instructions

1. Daily Cleaning: Use a soft, dry cloth to gently wipe off dust from the product.
2. Removing Stubborn Dirt:
3. For dirt that cannot be removed with a dry cloth, clean the surface using a soft towel dampened with diluted neutral detergent, then wipe it dry with a clean cloth.
4. Avoid Harmful Solvents:
5. Do not use solvents like benzene, thinner, or gasoline, as these can damage the leather or corrode the surface of the product.
6. Storage and Usage Environment:
7. Avoid placing the product in areas with direct sunlight or high humidity to prevent damage.
8. Temperature and Humidity Tolerance:
9. The product is suitable for environments with temperatures ranging from 23°F to 122°F (-5°C to 50°C) and humidity levels between 45% and 85%.

Troubleshooting

| Issue | Possible Reason | Solution |
|-------------------------------|---|--|
| Motorized sections not moving | The power cord is not connected properly. | 1. Ensure outlet is working. 2. Ensure cord is connected well. |
| | Hand (or foot) remote is not working. | 1. Ensure hand (or foot) remote is plugged in well. 2. Replace the hand (or foot) remote. |
| | Control box not working. | 1. Contact Spa and Equipment/SkinAct Technical Department: 1(800)418-0830 |
| Abnormal sounds or vibrations | Parts need lubrication oil. | 1. Adding lubricating oil. |
| | Motor quality issues. | 1. Contact Spa and Equipment/SkinAct Technical Department: 1(800)418-0830 |

Warranty

This item has a 1-year limited warranty for malfunctions and manufacture defects only (parts, labor, and shipping not included). THIS WARRANTY IS VOID IN THE EVENT EQUIPMENT IS DAMAGED BY IMPROPER USE.

• To read the full Warranty Policy, please visit <https://www.spaandequipment.com/Return-Warranty-Repair-Policy.html> or scan the QR code below.

Dimensions/Specifications

- Length without face cradle attached: 76"
- Length with face cradle attached: 86"
- Width without arm rests: 27.5"
- Width with arm rests: 37"
- Heights: 25.5" - 33"
- BASE ONLY Dimensions: 45"L x 24"W
- Backrest angle: 0° flat to 75° incline
- Weight: 180 lbs
- Capacity of 500 lbs
- Cushion thickness: 4"
- Colors available: Dark Brown or Beige: base is Dark Brown Wood
- Fully electric top is outfitted with vinyl and Milo proprietary "skin touch" padding

* All height measurements are from ground to top of cushion *

** All measurements have a 0.25 to 0.75 inch tolerance **

Measurements

