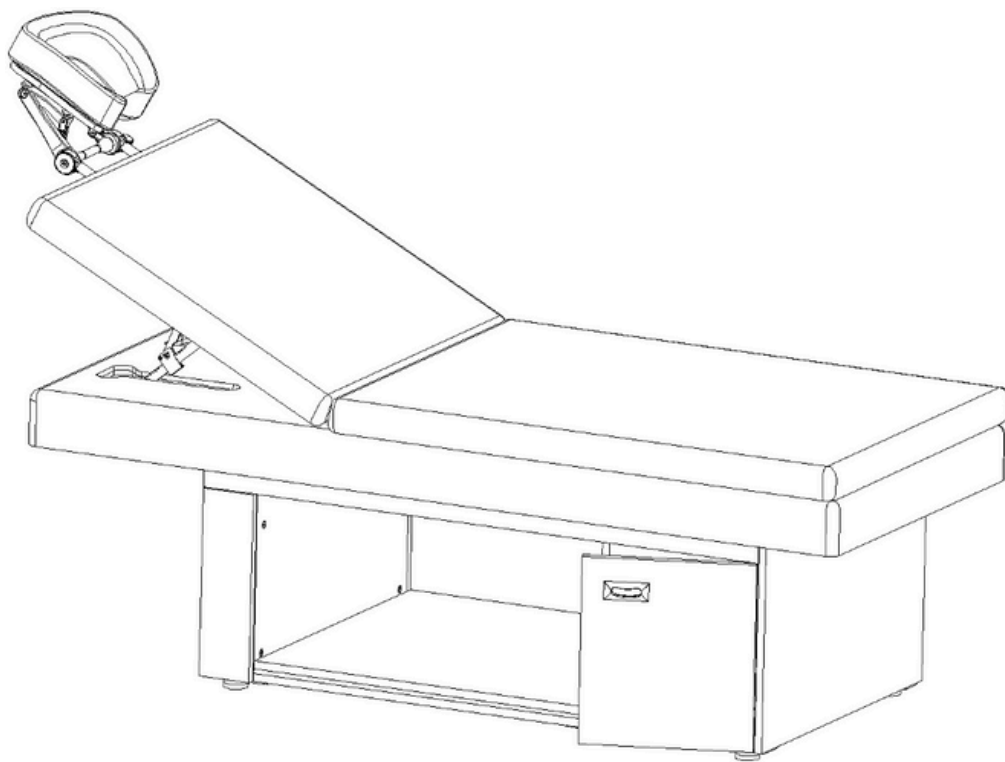


Murade Treatment Table (Massage Bed, Facial Chair)

User Manual



SKIN+ACT

www.skinact.com | www.spaandequipment.com

Toll Free: 1.800.418.0830

Copyright © 2025 SkinAct, All Rights Reserved

NOTICE

No part of this document may be photocopied, reproduced, or translated into any other language without prior written consent of SkinAct.

The information in this document is subject to change without notice at any time and should not be construed as a commitment by SkinAct. SkinAct assumes no responsibility for any errors that may be in this document, nor does it make expressed or implied warranty with regard to this material, including, but not limited to, the implied warranties of merchantability and fitness for a particular purpose.

SkinAct shall not be liable for incidental or consequential damages arising out of the furnishing, performance, or use of this document and the program material which it describes.

SKIN+ACT

www.skinact.com | www.spaandequipment.com

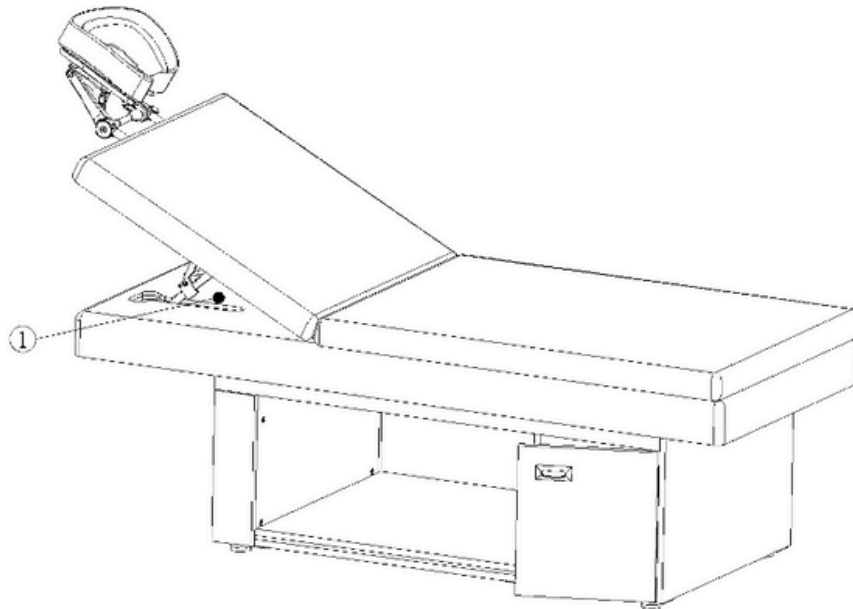
Toll Free: 1.800.418.0830

Important Safety Information

Please read all instructions carefully before connecting, operating, or adjusting this treatment bed. Keep this manual for future reference.

Warnings:

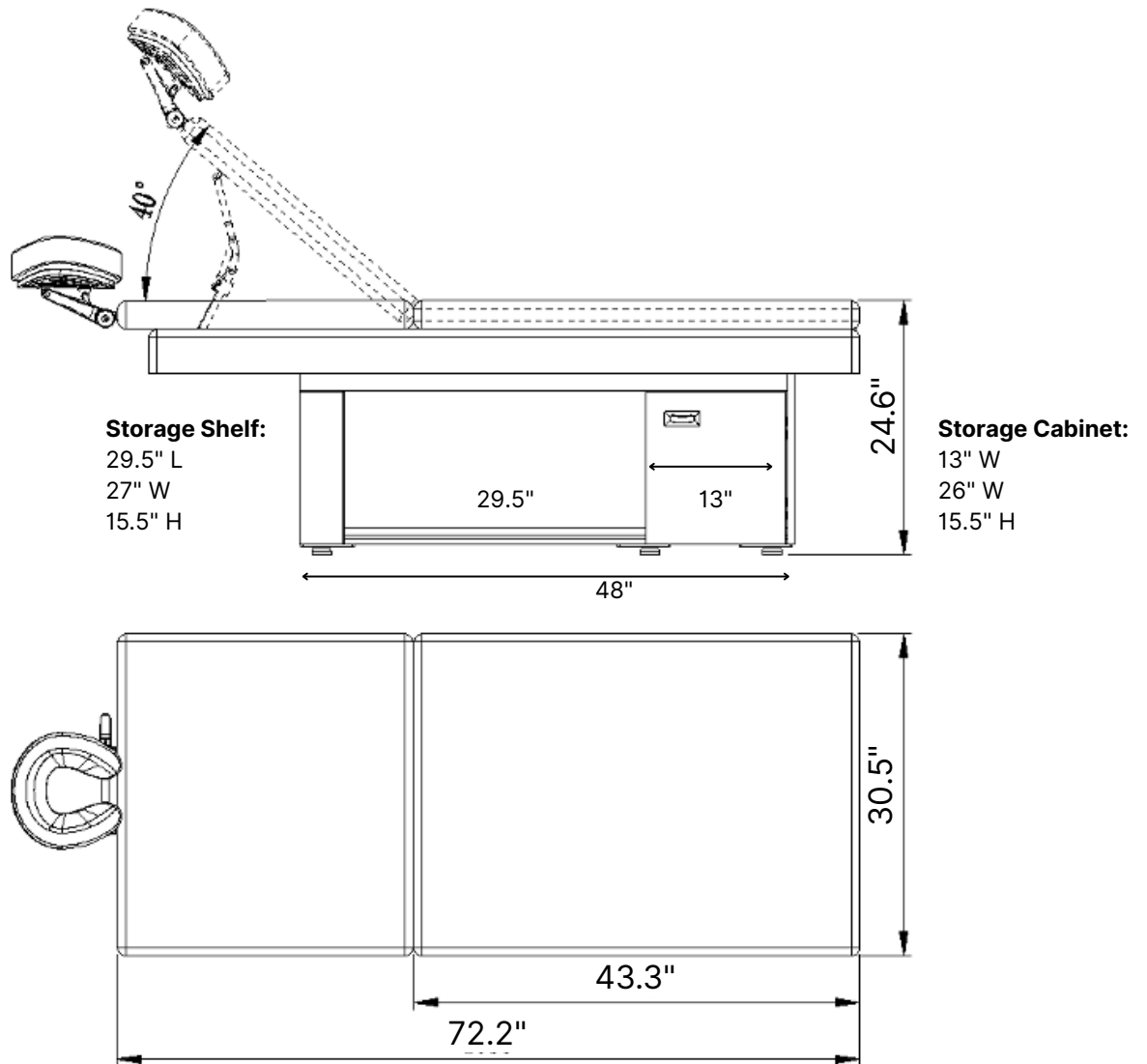
1. Do not place hands, feet, or head in areas marked as position ① in the safety diagram.
2. Maintenance must be performed only by trained professionals.



Precautions

1. Not suitable for individuals with osteoporosis or heart conditions.
2. Pregnant or menstruating women should not use this bed.
3. Do not use if suffering from open wounds or skin diseases.
4. Children under 14 years old or individuals with impaired consciousness must not use the bed unsupervised.
5. Do not operate until installation is complete.
6. Use a soft towel with diluted neutral detergent for cleaning.
7. Unauthorized disassembly or assembly is prohibited—contact local service for repairs.

Technical Dimensions:



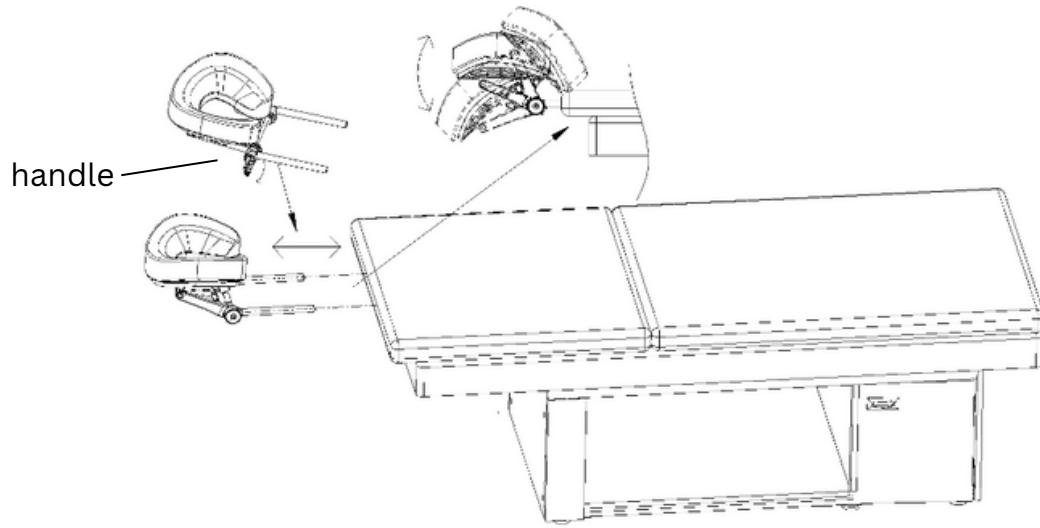
Technical Specifications:

- Size: 72.24" × 30.31" × 24.61"
- Table Height (Flat): 24.61"
- Net Weight: 187 lbs
- Gross Weight: 243 lbs
- Weight Capacity: 330 lbs
- Operating Temperature: 23°F to 122°F
- Humidity Range: 45% – 85%

Installation Guide

Headrest Installation

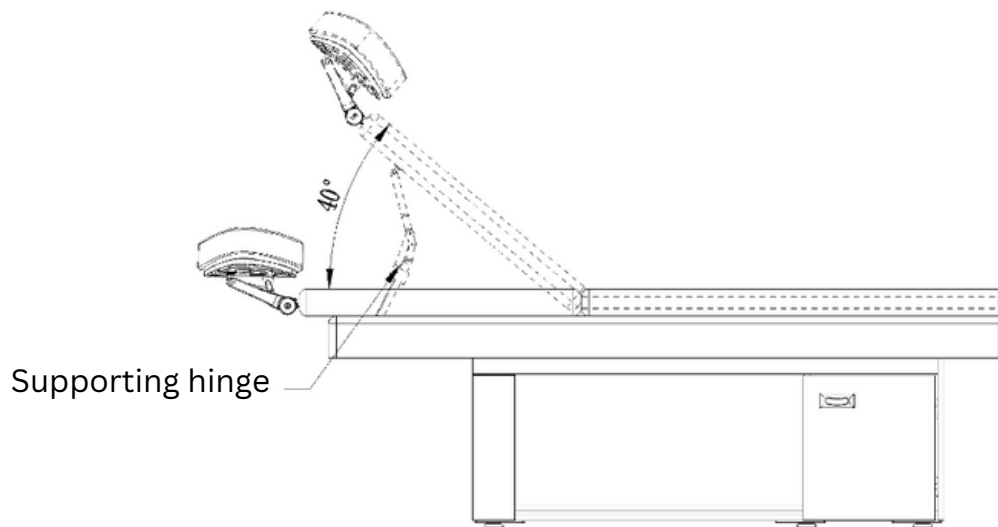
1. Release the locking handle on the headrest.
2. Insert both rods of the headrest into the designated holes on the backrest.
3. Adjust the headrest angle up or down.
4. Once positioned, lock the handle downward to secure.



Operating Instructions

Backrest Adjustment

- Lift the backrest to your desired angle, then release. The hinge will lock automatically.
- To return to a flat position: lift the backrest again without releasing, then press it down.



Maintenance Guidelines

1. Daily Cleaning

2. Use a soft, dry cloth to wipe off dust.

3. For Stubborn Dirt

4. Clean with a towel dipped in diluted neutral detergent, then dry with a soft cloth.

5. Avoid Harsh Chemicals

6. Do not use benzene, thinners, or gasoline as they may damage the leather and outer casing.

7. Storage & Environment

8. Keep away from direct sunlight and high humidity to prevent damage.

Troubleshoot:

When you encounter a malfunction while using this product, please try the following troubleshooting operations:

Phenomenon	Diagnosis	Exclusion operation
There is abnormal noise and shaking in the bed lifting room	The screws are loose	Tighten all screws tightly

When there are improvements to the product that do not affect its basic structure, performance, and appearance, no further notice will be given.

Movements:

- Manual backrest angle adjustment
- Manual removable face cradle
- Fixed height Dimensions/Specifications:
- Length without face cradle: 72.5"
- Length with face cradle on: 82.5"
- Length with face cradle on and extended: 88.5"
- Width: 30.5"
- Height: 26.5"
- BASE ONLY Dimensions: 48"L x 27.5"W
- Storage shelf dimensions: 29.5"L x 27"W x 15.5" Tall
- Storage cabinet dimensions: 13"W x 26"D x 15.5" Tall
- Backrest angle: 0° flat to 33° incline
- Weight: 189 lbs
- Capacity of 600 lbs
- Cushion Thickness: 4"
- Color available: Dark Brown
- Upholstered in plush, high-quality PU material
- Heavy-duty build quality
- Free face cradle included
- Storage underneath

* All height measurements are from the ground to the top of the cushion

* ** All measurements have a 0.25 to 0.75 inch tolerance

Warranty:

- 1-year warranty