

# Platinum Multifunction Skin Care System (SKU18263)



**SKIN+ACT**

Toll Free: 1.800.418.0830

[www.skinact.com](http://www.skinact.com)  
[www.spaandequipment.com](http://www.spaandequipment.com)

International: 818.834.6640

## NOTICE

No part of this document may be photocopied, reproduced, or translated into any other language without prior written consent of Spa and Equipment/SkinAct.

The information in this document is subject to change without notice at any time and should not be construed as a commitment by Spa and Equipment/SkinAct.

Spa and Equipment/SkinAct assumes no responsibility for any errors that may be in this document, nor does it make expressed or implied warranty with regard to this material, including, but not limited to, the implied warranties of merchantability and fitness for a particular purpose.

Spa and Equipment/SkinAct shall not be liable for incidental or consequential damages arising out of the furnishing, performance, or use of this document and the program material which it describes.

# SKIN+ACT



Toll Free: 1.800.418.0830	<a href="http://www.skinact.com">www.skinact.com</a> <a href="http://www.spaandequipment.com">www.spaandequipment.com</a>	International: 818.834.6640
---------------------------	--	-----------------------------

## About This Manual

This manual shall only be used for the reference of operation of this particular model. If the manual is used for other purposes, we will not undertake any according consequences and responsibility. All information of this manual shall be protected by copyright and shall not be copied and translated in any part of this specification without the written consent of manufacturer.

## Safety Guidance

**To ensure your correct and safe use of this product, please read all the instructions before use! Please follow all safety precautions!**

	<p><b>Warning!</b></p>	<p><b>Indicates a potentially dangerous situation that, if not avoided, could result in serious loss of life.</b></p> <ul style="list-style-type: none"> <li>• This product is only for beauty practitioners with professional qualifications.</li> <li>• Do not use or store the product in a damp place such as bathroom to avoid malfunction and danger.</li> <li>• Do not use this product near flammable items (e.g., alcohol, thinner, gasoline, nail polish remover, sprays, etc.).</li> <li>• Do not use this product under the following conditions: when the power cord or plug is damaged or gets hot; when the plug in the power socket comes loose.</li> <li>• Do not use wet hands to plug and unplug power cord connectors and use this product.</li> <li>• Please make sure that the working voltage of this product conforms to its rated voltage.</li> <li>• Before use, make sure that the power plug and the power cord connector are fully plugged in, so as not to cause danger.</li> <li>• When not using this product, please turn off the power and pull out the plug.</li> <li>• Please regularly clean the dust accumulated on the power plug and power cord connector to avoid failure of insulation caused by moisture, dust and other factors.</li> <li>• Be sure to use the special power cord assembly for this product. Do not use the power cord assembly on any other appliance.</li> <li>• Do not wrap the power cord around the product, otherwise it may distort and malfunction the power cord.</li> <li>• Keep out of reach of children. Do not allow children to use this product.</li> <li>• Please do not modify, disassemble or repair this product by yourself. If you need to repair it, please contact the manufacturer, agent or professional maintenance personnel to check and repair it, so as not to cause danger.</li> <li>• Please contact distributor, service center or related personal with appropriate skill and experience for repairing if the plug is damaged, in case of any danger.</li> </ul>
	<p><b>Attention!</b></p>	<p><b>Represents a potentially dangerous situation which, if not avoided, can result in general injury to person.</b></p> <ul style="list-style-type: none"> <li>• Operators should pay special attention to the safety of personnel and equipment when using.</li> <li>• If the product is abnormal, please stop using it immediately and contact the manufacturer or dealer for relevant treatment.</li> <li>• This product and related accessories should be handled lightly.</li> <li>• Please properly handle the packaging bag of this product to avoid accidents such as asphyxiation of infants, and keep it out of reach of children.</li> </ul>

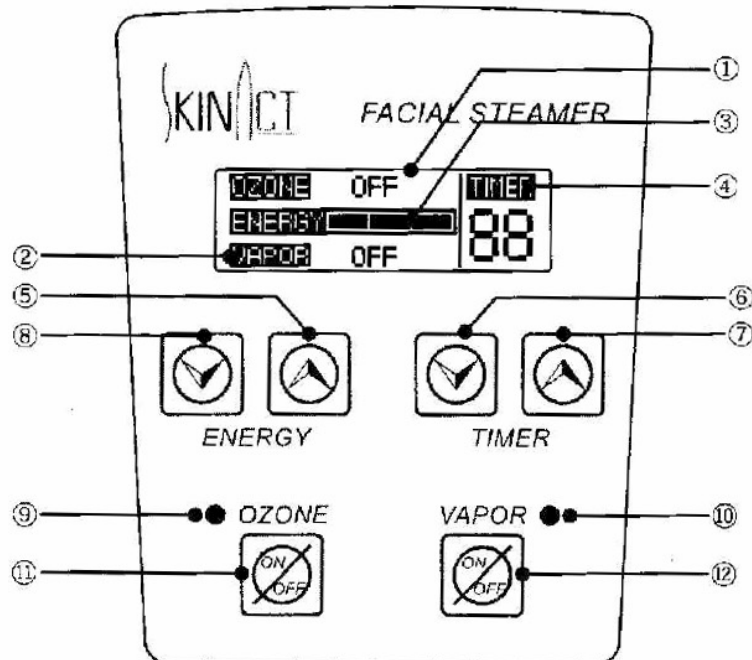
We applied the latest new concept in designing this new facial steamer series. Its appearance, structure are totally different from the traditional facial steamers. We applied the LCD display screen for this new steamer, The customer can see its meantime process of the working status easily. The new heating system was applied for this steamer which help it effectively shorten the water boiling time by compare with the traditional heating system. On another hand, the inner space of the cup has been fully used, the cup is easy cleaning. The cup is made by the anti-head material, which can not only guarantee its working stability in the high-tem condition, also can help reduced the surface's temperature to avoid the scald happens. It is also equipped with time pre-set, three level spray adjustment, and an automatic water level detector, it is set maximum and minimum water level alarming system, prevent water spraying upon over maximum water level and heater damaged low over minimum water level, and prevent heater caused damage for empty container working by the user for their carelessness. This steamer is designed as the part of the combination, could be used in the free combination 3021.

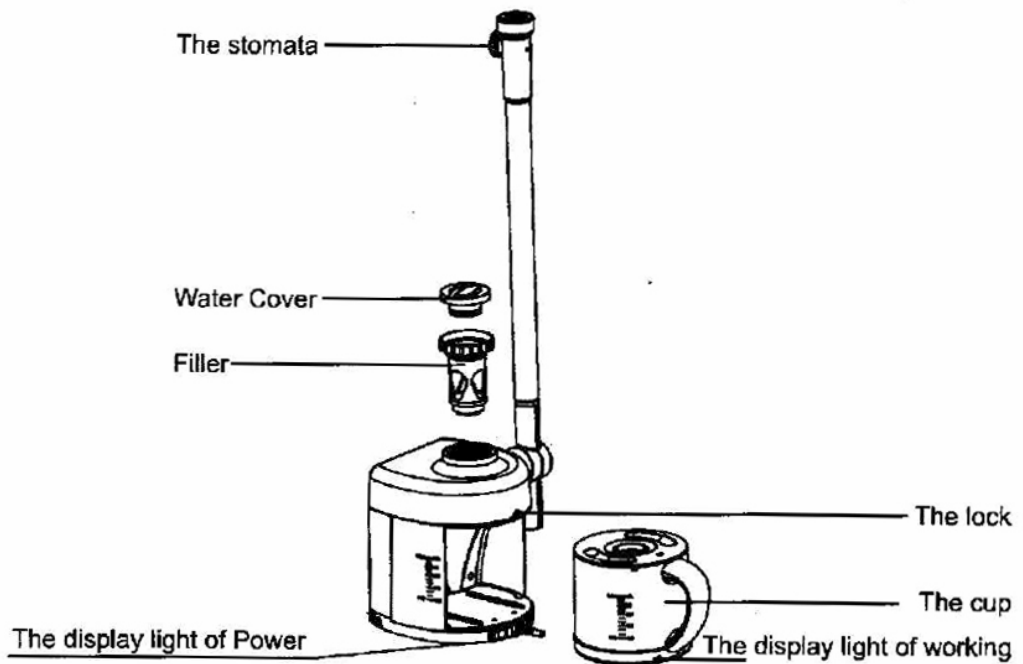
## Functions

1. Intenerate the necrotic skin cells for cleaning in the subsequent treatment.
2. Open up the skin pore for deep cleaning inside.
3. Vapor penetrates into pores to soften and clean the grease, black head, make-up remnants and dirt.
4. Vapor may help skin pores release toxin.
5. Vapor may soften wrinkle for the time being.
6. Activate the blood circulation, moisten the skin, improve metabolism and renew the skin.
7. Help to treat acne, stains, whiten and nourish skin by using appropriate herbs.

## Introduction of panel

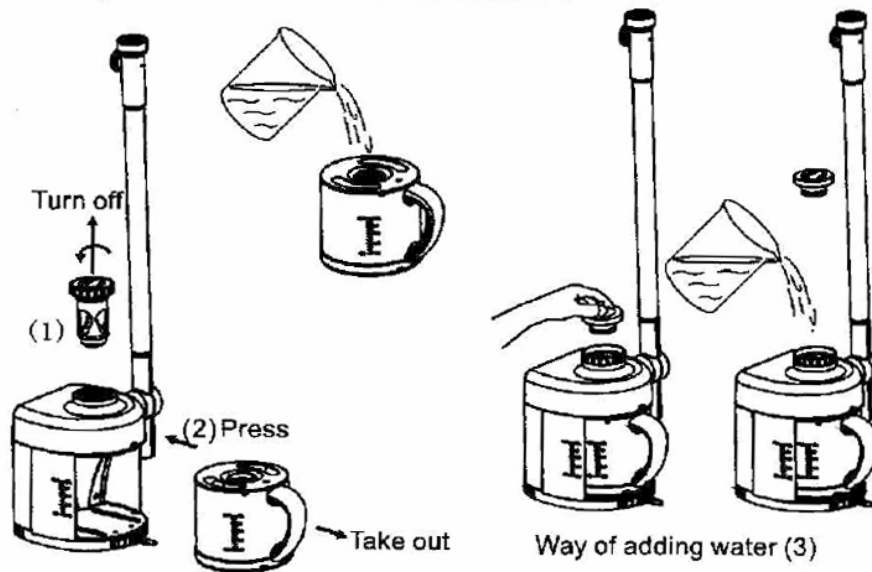
- ① The display of the Ozone
- ② The display of the Vapor
- ③ The display of the energy
- ④ The display of the timer
- ⑤ "+" for Energy
- ⑥ "-" for Timer
- ⑦ "+" for Timer
- ⑧ "-" for Energy
- ⑨ The light of Ozone
- ⑩ The light of Vapor
- ⑪ ON/OFF of Ozone
- ⑫ ON/OFF of Vapor





## The manual of operation

1. when you want to take out the cup ,Turn off the filler firstly (pic. ①), press the grey small button(see pic. ②), then you can take the cup out . You can also open the cover to add the water like the (pic.③) shows. Please be sure that the water inside of the cup should be not exceed the line"MAX" or lower the "MIN". Please screw the cover tight otherwise the "unlock" will show on the screen when turn on the vapor.



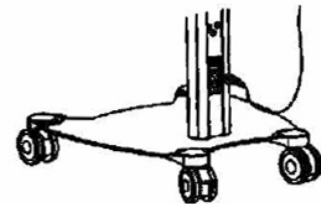
2. Connect the power supply and connect the power lead on the plug which positioned on the back of the aluminum bar (see picture on the right side)

3. The steamer will self-check after electrify ,then turn to standby status.

4. Pre-set the time and energy (you are suggested to turn the energy to the highest level ,then water will be boiled quickly).

5. Press "ON/OFF OZONE" to turn on the Ozone while the water start boiling , the display light turn on , the steamer start to spray out and with the smell of ozone. Now the vapor is on the normal spraying status and could be applied for the facial beauty operation.

6. if the aromatic spray is requested, you could open the aromatic case and drop into 1 or 2 drops essential oil and close the cover.

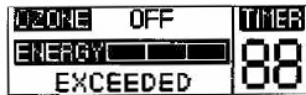


## Cautions

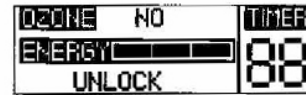
1. This steamer has self-check function, if the water is lower the "MIN" line, or exceed "MAX" line, then the steamer will be instructed not working and meantime emit the sound "Do" "Do" ..to remind you to solve the mentioned problem before start working.



"MAX" line



The water exceed the

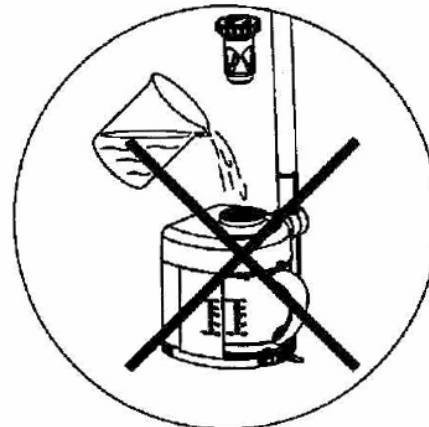


Leaking , The cover is not fixed well

2. During operation, The vapor should be stably and equably spray out before applying on the face. The spray stomata should keep the certain distance with the customer. See the below attached reference sheet.

3. Please keep this facial steamer away from the high-interferential device ( like: High-frequency instrument). If the circuit board or LCD sreen was incautiously interferenced , the steamer may stop working suddenly or the quality of performance will be lowered. Normally , please turn off the power ,then re-start after 15 seconds. The steamer can recovered to the normal working status. If it stilled not been fully recovered , it is probably because the interference is too strong and cause the inner parts damage or broken, if so, please turn off the power and contact with the local distributor for maintaince or replacement.

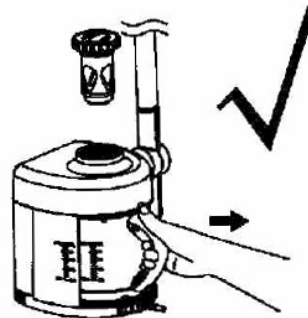
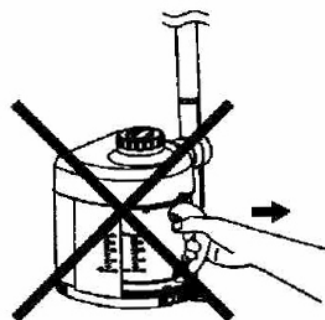
4. if the herb cover has not been screwed tightly enough which may cause the vapor leakage, but please also don't srew the cover over-strengthed , otherwise it may shorten the lifespan of the sealing ring of the vapor dispensor . to avoid any harmful from any means of the leakage, you are suggested to change the sealing every three months. For each steamer, we have put in one extra sealing for the replacement .



**Don't take out the herbal case to pour the water**

5. please don't take out the herbal case to pour the water , the water drops from the herbal case may cause the short-circuit.

6. The cup could be only pull out after taking away herbal case, Please don't pull out the cups when the herbal case still in the steamer it may cause damage (see picture below). Please be noted : the cup should be pull out everyday after use, please wash off the bead or steams when have , keep the cup dry. When wash-clean the cup , please be aware of the plug has been away from the power supply, otherwise, any drops of the water may cause the short-circuit and damage the inner elements . meanwhile it may dangerous to people.



**Don't pull out the cup by force when the herbal case still in**

**For difference skin ,please keep away from the difference distance  
The below parameter just for your reference :**

<b>Skin type</b>	<b>Distance</b>	<b>Time</b>
The oily skin, The blood circulation is not good	35-40cm	Around 15 minutes
The normal and healthy skin	35-40cm	10 minutes
The sensitive and dry skin	40-45cm	5 minutes
The dilatation of capillary vessel or inflammation	40cm	5 Minutes

## Technical Sheet

Electrical characteristics	Rated voltage	AC 100-120V
	Frecuency	50/60Hz
	Rated power	650 W

# Measurements



# Measurements



# Tools

## Standard Features – These come standard with every Platinum Multifunction SkinCare System



### **A: Facial Ozone Steamer**

Comes with an adjustable extension arm that allows a broader facial steam. Unit includes a timer and alarm settings as well as an optional ozone setting.

Benefits: Moistens and cleanses the skin. Steam causes pores to expand and stimulates blood circulation. When the optional ozone setting is active, the steamer helps to increase cell oxygenation.

### **B: Magnifying Lamp**

Consists of an optical lens and a soft tube light which is cool to the touch. Very suitable for treatments and skin analysis. It makes observation much easier, so acne and dark spots are found more quickly.

### **C: Hot Towel Cabi**

Great for warming towels for your clients during facials.

# Tools

**Attention: Below are the tools which you can choose from for this equipment. Total of 6 Treatments out of 9 options available.**



**High Frequency:** Stimulates circulation of the blood, increases glandular activity, aids in elimination and absorption, increases metabolism, kills germs and bacteria, generates heat inside the tissue, and helps products to go deeper into the skin. Benefits: Aids acne treatment. Also kills bacteria and possible skin infections.



**Microcurrent with Biolift:** Stimulates the muscle groups that need lifting and firming. The electrical current increases ATP and collagen production in the skin for younger, more vibrant looking skin.



**Facial Brush:** Rotating brush system which includes a variety of attachments for different purposes. Lightweight for easy handling. Quiet operation and easy to access. Benefits: Cleanses pores deeply, removing any dirt and debris.



**Hot / Cold Hammer:** The cold side of the hammer is designed for cooling down the skin after a dermabrasion treatment; it will reduce redness of the skin. The hot side is designed for accelerating the absorption of nutrients into the skin.

# Tools



**Ultrasonic:** Stimulates the skin tissue with acoustic vibrations. Improves cell membrane and causes collagen regeneration. Reduces wrinkles and fine lines for younger looking and feeling skin. Ultrasonic also generates frictional heat which accelerates blood circulation and helps muscles to relax. Decomposes cellulite and allows deeper product penetration into the skin. Benefits: Utilizes sonic vibrations to reduce lines, leaving the skin firm and smooth. Features an intensity control.



**Vacuum and Spray:** Vacuum allows a deep cleansing of the skin. Brings skins impurities to the surface, which helps with easy extractions. Spray cools and soothes the skin. It also helps with product absorption into the skin.



**Galvanic:** Galvanic current contains negative ions while treatment solutions contain positive ions. The current pushes products deeper into the skin. Products neutralize toxins, balance pH, and kill harmful free radicals. Galvanic also accelerates blood circulation. Benefits: Improves blood circulation and facilitates deeper product penetration.



**Diamond Microdermabrasion:** Removes dead skin cells while exfoliating. Skin feels softer and smoother immediately following treatment.

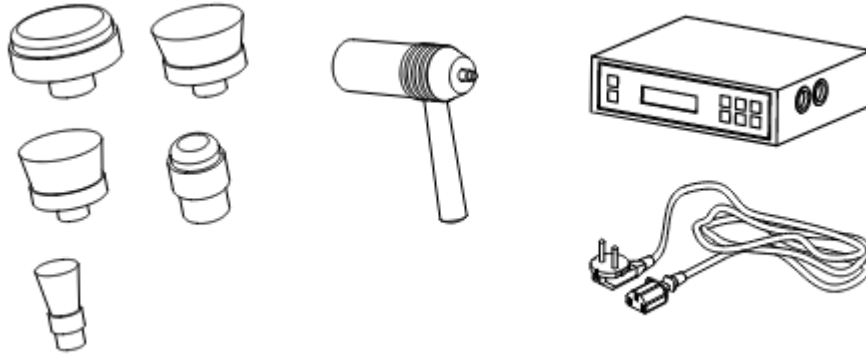


**Skin Scrubber:** Helps to reduce wrinkles. It also helps to remove dark spots, dead skin, and other skin problems.

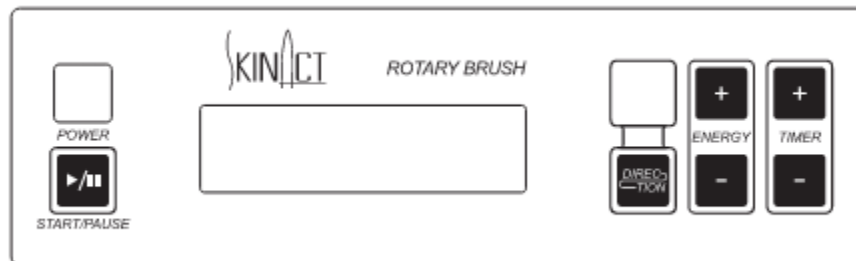
# Facial Rotary Brush Skin Care Unit

## PACKAGE CONTENTS

- These components are subject to change without prior notice.
- Appearance of product may differ from the image.



## FRONT PANEL



## INSTRUCTIONS OF USE

### BEFORE TREATMENT:

- Scrub the skin surface with a wet pad.
- Using a steamer (or hot cloth) soften the skin surface to be treated.
- After skin-cleansing maintenance, it is advisable to daub some nutritional oil on the target skin surface.

## **STARTING TREATMENT**

- Connect the power supply via the rear panel.
- Connect the accessories properly in the lateral panel.
- Choose the appropriate brush head according to the customer's skin type. In general, delicate or dry skin needs a soft brush head, while harder brushes can be used for rough or greasy skin.
- Turn on the "POWER" button.
- Adjust the desired "ROTATION", "ENERGY" and "TIMER".
- Press the "START/PAUSE" button to start the treatment.
- While holding the brush handgrip, adjust "ENERGY". The speed of rotation will increase as the adjusting angle is increased.

## **CAUTIONS**

- Do not press the brush head excessively while it is running.
- Do not operate this instrument with any evident acid or alkaline substance.
- After the operation, turn the instrument off and disconnect the power cord.
- This function should not be used on customers who suffer from hypersensitive skin or dermatitis.
- If the capillary vessels in the skin are injured, do not cleanse the skin with this function.

## MAINTENANCE

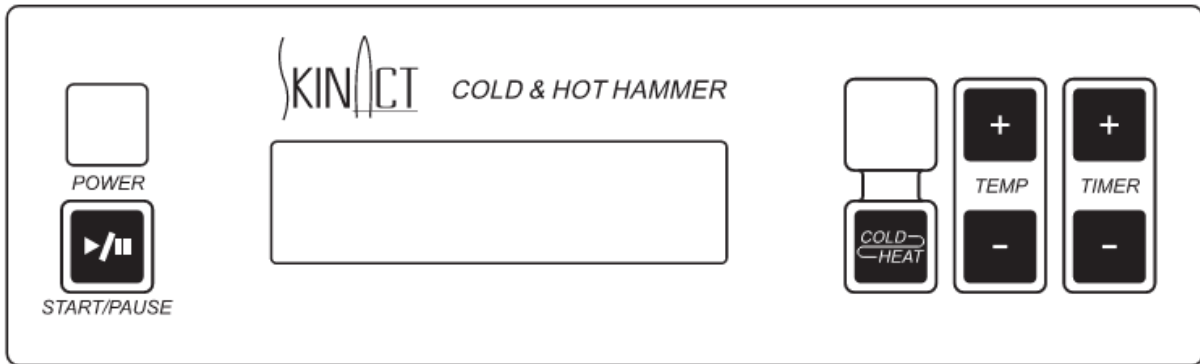
- After the operation, submerge the brush head in clear water with a little cleanser for 5 minutes. Then, after rinsing it, submerge it in alcohol for half an hour.
- The brush head must be disinfected using ultraviolet radiation and then kept in its original packaging.

## TECHNICAL SHEET

Weights and sizes	Product size (cm)	20.7×22×7
	Gross weight (kg)	3.5
Electrical characteristics	Rated voltage	AC 100-240V
	Frecuency	50/60Hz
	Rated power	25 W

# Hot And Cold Hammer Skin Care Unit

## FRONT PANEL



## INSTRUCTIONS OF USE

- Connect the power supply via the rear panel.
- Turn on the “POWER” button.
- Press “STATE” to select between cold or hot function.
- According to the needs, adjust the output temperature by pressing “ENERGY” and the desired time of operation by pressing “TIMER”.
- Press “START/PAUSE” to begin the treatment.

## NOTES

- For first time usage, the function will start 5 minutes after all the set up process.
- After the first treatment, it needs 3 minutes before the next Cold or Hot treatment.
- Best working temperature condition is 25°C.
- Do not block the air tank while using this function, if not, steaming water will be blocked inside the Cold & Hot hammer, and may induce short circuit.

- Even after the “START/PAUSE” button has been turned on to “START”, you may need to check if the hammer has been switched to “I”; if it is still in “O”, the hammer would not start working.

**CAUTIONS**

- The two sides of Cold & Hot Hammer are made of aluminum alloy which is not hard, so avoid knocking on them.
- If there is cracks on the sides of hammer, replace it with a new one.
- Be careful with the elastic wire working extension, do not over pull it.

**MAINTENANCE**

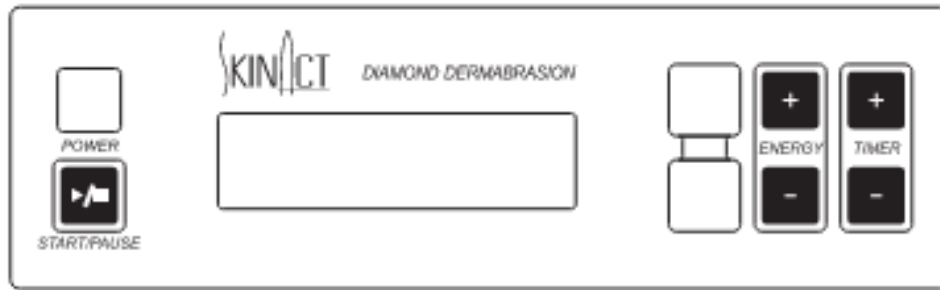
- Do not disinfect the plastic parts and the wire with chemical products such as gasoline, alcohol or other medical elements, because it may cause the fading of cover and may affect the function.
- Clean the body of hammer and the aluminum parts with a soft cloth after the operation and then store them properly.
- If there’s any scratch on the sides of the hammer, please replace it with a new one before operating.

**TECHNICAL SHEET**

Weights and sizes	Product size (cm)	20.7×22×7
	Gross weight (kg)	3.5
Electrical characteristics	Rated voltage	AC 100-240V
	Frecuency	50/60Hz
	Rated power	35 W

# Diamond Microdermabrasion Skin Care Unit

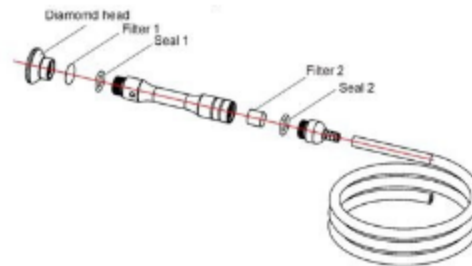
## FRONT PANEL



## INSTRUCTIONS OF USE

- Connect the power supply via the rear panel.
- Turn on the "POWER" button.
- Correctly connect one side of the pipe to the rear panel as indicated in the sketch.
- Connect the opposite side of the pipe to the vacuum handle. Place the correct diamond head in the handle. There are nine types of diamond heads.
- Check that the foam filter is in its proper position in the handle.
- Check that the metal filter is in its proper position in the handle.
- You can adjust the suction effect by turning the regulator.
- You can adjust the suction effect by covering or uncovering the hole in the side of the handle with your finger.
- Once you have finished, first turn off the unit by pressing the "POWER" button.

	Ø 22 MM
D100	Body. Suitable for acne, knees, elbows and areas with stretch marks
D180	
	Ø 29 MM
D180	Face. Suitable for large spots, pores, aging sun exposure
D220	
	Ø 15 MM
D100	Scars, fine lines and various imperfections
D200	
D250	
	Ø 8 Y 6 MM
D200	Eyes and both sides of the nose. Wrinkles, acne, pimples and blackheads
D250	



## CAUTIONS

- Do not leave the handle on the same part of skin for too long since it can cause injuries.
- Avoid using it on irritated skin.
- The following skin areas are unsuitable for these treatments: skin tumors, moles, birthmarks, angiomas, lips, eyes, herpes and warts.
- Do not work the vacuum pump for extended periods without cool-down time between treatments in order to prevent overheating of the pump and damage to the machine. Damage caused by overheating of the pump is not covered by the manufacturer's warranty.

## FAQ

- If the suction effect is reduced:
  - Replace the metal and foam filters.

## MAINTENANCE

- The foam filter in the handle needs to be changed after every 5 treatments. Dismantle the handle and replace the filter. Then reassemble the handle.
- The metal filter in the handle needs to be changed after every 5 treatments. Dismantle the handle and replace the filter. Then reassemble the handle.

- Clean and sterilize the diamond heads after every treatment.

## TECHNICAL SHEET

Weights and sizes	Product size (cm)	20.7×22×7
	Gross weight (kg)	3.5
Electrical characteristics	Rated voltage	AC 100 -240V
	Frecuency	50/60Hz
	Rated power	30 W

# Galvanic Facial Skin Care Unit

## Contraindications

Pacemaker (any electrical or rhythmic heart-regulating device)

Pregnancy

Thrombosis/Phlebitis

Skin diseases

Operations (within the last 6 months)

Silicone implants

Hypersensitive or vascular skin

## Package Contents

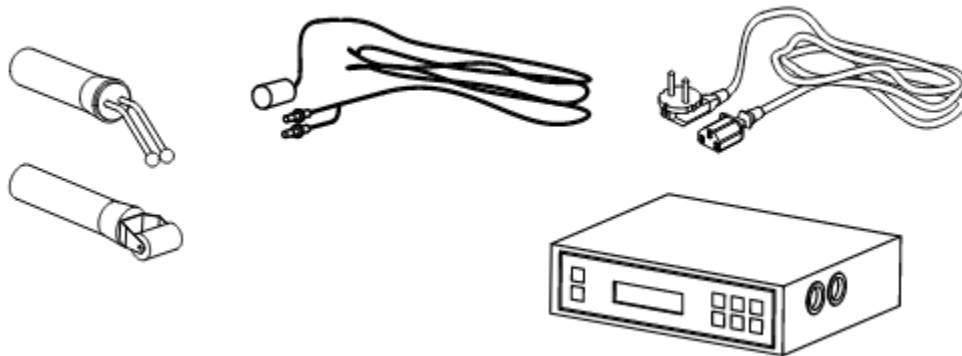
The image shows various components, likely including:

The main Galvanic device itself

Power supply or adapter

Accessories (possibly probes or applicators)

Cables for connections



## Front Panel



## Instructions of Use

Steps are outlined:

Connect the power supply via the rear panel.

Connect the accessories properly in the lateral panel.

### Before Treatment

- The treatment area must be clean and dry.
- Ensure both handpieces are in contact with the patient's skin to complete the circuit.
- The polarity of the probes can be changed using the "LEAD" button.
- Cover the roller/ball with a cotton piece or sponge dipped in a suitable lotion.

### Starting Treatment

- Choose the desired probes (roller or ball) and connect two identical ones.
- Turn on the unit using the "POWER" button.
- Set the desired power level using "ENERGY" and time using "TIME."
- Press "START/PAUSE" to begin.

### Cautions

- Remove jewelry and confirm no metal implants.
- Pregnant women, people with sensitive/inflamed skin, or blood capillary expansions should avoid the treatment.
- Those with heart disease, infectious diseases, hyper-allergic or hyper-sensitive skin should consult a doctor before use.

- Ensure the skin is moistened with plenty of conductive product.

**FAQ**

- If the rollers fail to rotate, dismantle and clean them. If the issue persists, contact your sales agent.

**Maintenance**

- Avoid damaging the probe rollers. Do not use abrasive substances for cleaning.
- After treatment, clean, sterilize, and dry all metal roller parts. Store them in the accessory holder.

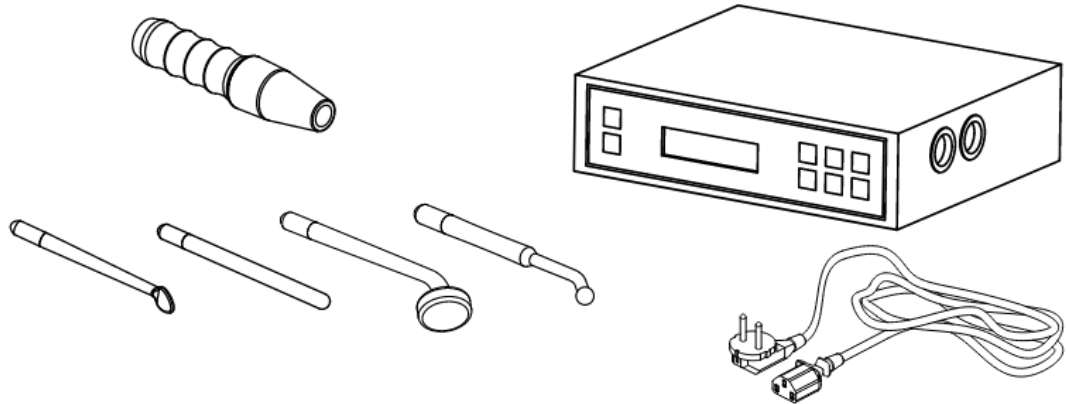
**Technical Sheet**

Weights and sizes	Product size (cm)	20.5×22×7
	Gross weight (kg)	2.7
Electrical characteristics	Rated voltage	AC 100-240V
	Frecuency	50/60Hz
	Rated power	4 W

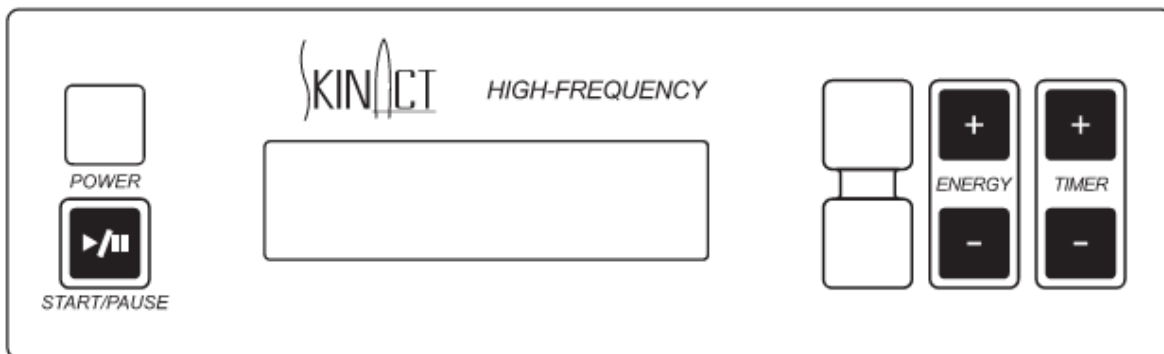
# High Frequency Skin Care Unit

## Package Contents

- These components are subject to change without prior notice.
- Appearance of product may differ from the image.



## Front Panel



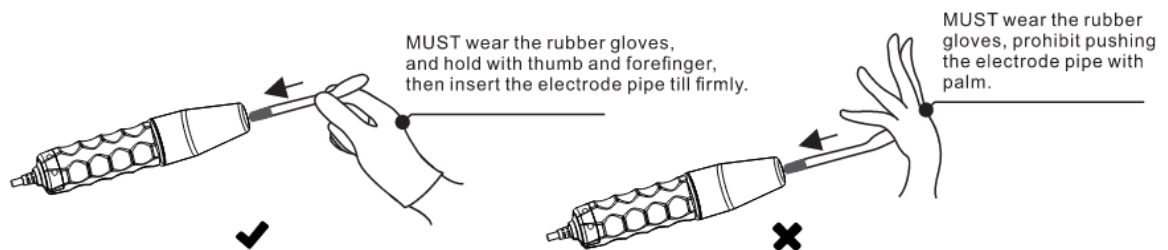
## Operation Cautions

- **Warning**
  - It is forbidden to touch the output interface of the main machine or the handle when the machine is powered on.
  - Do not point the tube directly or in contact with the eye area.
- **This product is prohibited for the following people and parts:**

- Pregnant women and those equipped with adjusters (e.g., cardiac adjusters).
  - People with vascular diseases and high skin sensitivity.
  - Having metal implants or metal dentures embedded in the body.
  - People with skin wounds and other conditions.
  - Body parts with thick hair.
- **Do not use skin lotions containing alcohol, as alcohol is highly flammable. If alcohol-based toner is required, only apply it after using this product.**
  - **Do not grasp the junction between the high-frequency handle and the electrode tube by hand during operation to avoid being shocked.**
  - **The skin retention time of each part should not exceed 5 seconds.**

### Attention

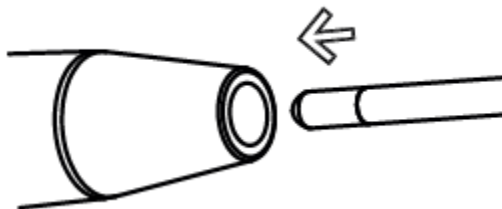
- Before each use, check whether the electrode tube or the metal head on the electrode tube is loose and whether the electrode tube is cracked or damaged. If so, do not use it and replace the electrode tube immediately.
- The current intensity must be gradually reduced to zero and the power switch must be turned off before the electrode tube can be inserted or pulled out.
- When inserting or pulling out the electrode tube, first wear rubber gloves and hold the electrode tube with thumb and forefinger; insert the tube to the bottom of the hole until it is firm, and do not push the tube vigorously, so as to prevent the metal head on the electrode tube from falling off or breaking, which may cause injury.



- When in use, the high voltage current output from the electrotherapy tube will cause interference. It is forbidden to approach the host machine and other electrical appliances of the high-frequency electrotherapy beauty instrument. If it interferes with the host, it may cause the host to not work or crash.
- When the electrode tube is less than 2.5cm from the skin but not in contact with the skin, the current intensity should be reduced immediately if sparks are emitted to irritate the skin. If the customer still feels the spark after the above operation, a small piece of dry cotton towel (nylon or other synthetic fibers towels are not allowed) can be covered on the customer's face.
- When using, always keep the electrode tube not leaving the customer's skin. High-frequency indirect care: when turning on and off the instrument, one hand must always be in contact with the customer's skin, never leave the customer's skin.
- After use, the power must be turned off first, the electrode tube should be pulled out from the high-frequency handle and put into the accessory box.

## INSTRUCTIONS OF USE

- Connect the power supply via the rear panel.
- Connect the accessories properly in the lateral panel.
- Select the proper glass electrode pipe and insert the metal cap end into the output mouthpiece of the handle (try not to touch the glass electrode with your hands or any metal objects).



### Glass electrode pipe assignment position

- a. Mushroom-shaped electrode pipe: used for large areas of skin (face, forehead, neck, etc.)
- b. Ladle-shaped electrode pipe: used for medium areas of skin (chin, etc.)
- c. Ball-like electrode pipe: used for small areas of skin (nose, etc.)

- d. Straight electrode pipe: used for indirect treatment.
- Switch the unit on by pressing the "POWER" button and make sure the "ENERGY" is set to the minimum.
- Select the desired treatment time by adjusting "TIME".
- Press the "START/PAUSE" button to start the treatment.
- Make sure you put your index finger on the glass electrode before you touch the client's skin. Afterwards touch the treatment area with the glass electrode. You can then slowly adjust the output using "ENERGY".
- During the course of the treatment, when changing electrodes you should return the output to the minimum level before swapping the electrodes, and then slowly adjust the energy level and return in to the appropriate intensity required.
- At the end of the treatment, slowly reduce the "ENERGY" level to the minimum output and then switch the "POWER" button off before removing the electrode from the customer's face.

### **Indirect Usage**

- Select the straight glass electrode and insert the metal cap end into the output mouthpiece of the handle.
- Give the handset to the customer, making sure they hold the glass electrode and not the handset.
- Switch on the unit by pressing the "POWER" button and make sure the "ENERGY" is set to the minimum.
- Select the desired treatment time by adjusting "TIME".
- Press the "START/STOP" button to start the treatment.
- Slowly adjust the output using "ENERGY".
- Carry out the facial massage or treatment using the prescribed product as required. During the whole treatment process, make sure you do not touch or come into contact with the glass electrode being held by the customer.
- At the end of the treatment, slowly reduce the "ENERGY" level to the minimum output and then switch the "POWER" button off.

## **CAUTIONS**

- The glass electrode pole will sparkle when it is still less than one inch away from the skin with the instrument switched on. In this case, reduce the energy of the high-frequency unit. If the customer still feels the sparkle, they may cover their face with a small, dry cotton towel but never with a nylon or synthetic one.
- Before removing the glass electrode from the skin, decrease the "ENERGY" to its minimum setting, then switch the power off before removing it from the skin.
- Customers should not be allowed to wear any metal objects or jewelry; all items must be removed prior to beginning any treatment.
- High-frequency treatments should not be carried out on pregnant women, or any persons using a pace-maker (or any electrical or rhythmic heart-regulating device).
- The products used with the high-frequency treatment must not contain any alcohol or spirit-based substances in order to prevent accidental combustion from arcing.
- Never touch the inner eye (eyeball) area with any high-frequency electrode.
- Only hold the handle of the high-frequency handset.

## **MAINTENANCE**

Glass electrode pipes must be kept clean and dry, and should be sterilized before or after each use.

## TECHNICAL SHEET

Weights and sizes	Product size (cm)	20.7×22×7
	Gross weight (kg)	3.5
Electrical characteristics	Rated voltage	AC 100-120V
	Frequency	50/60Hz
	Rated power	10 W

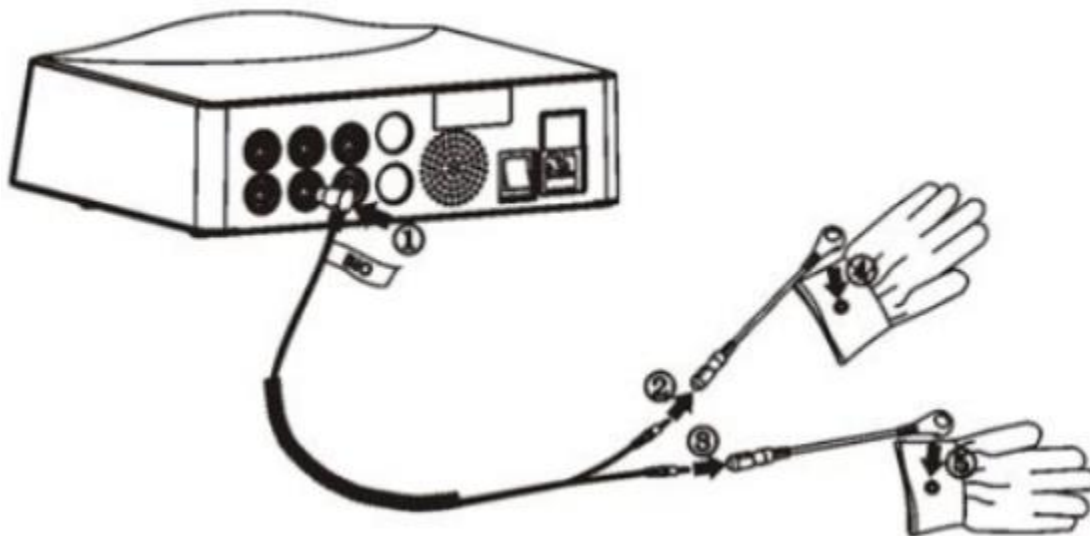
# Microcurrent And Magic Glove BioLift Skin Care Unit

## FRONT PANEL



## Instruction of Use

- . Connect the power supply via the rear panel
- . Turn on the POWER button



## MAGIC GLOVES INSTRUCTIONS OF USE

- The beautician must put isolating gloves under the magic gloves.
- Make sure that the "ENERGY" level is at the minimum. You can adjust the output level by pressing "ENERGY +" or "ENERGY -".

- Make sure that the “FREQUENCY” level is adjusted at 0.1 Hz. You can adjust the frequency level by pressing “FREQ +” or “FREQ -”.
- Select the desired wave state by pressing “STATE”. There are 4 kinds of waves.
- Select the time of operating by pressing “TIMER +” or “TIMER -”.
- Press “START/PAUSE” to start the treatment.
- The beautician must massage the customer with the magic gloves. Adjust the “ENERGY” and “FREQUENCY” level according to the customer’s feelings. At this moment, the beautician don’t have to feel any effect in their hands, but the customer must feel a micro current and some warm in the part where the treatment are applied.

## **NOTES**

- The delivered magic gloves have a length of 20 cm. The isolating gloves must have a length of at least 23 cm.
- If there are contact between the beautician’s skin and the magic gloves, there’s no effect with the treatment.
- During the treatment, if the beautician breaks the contact with the customer’s skin, the device stops working suddenly. The device restarts when the contact between the magic gloves and the customer’s skin returns.

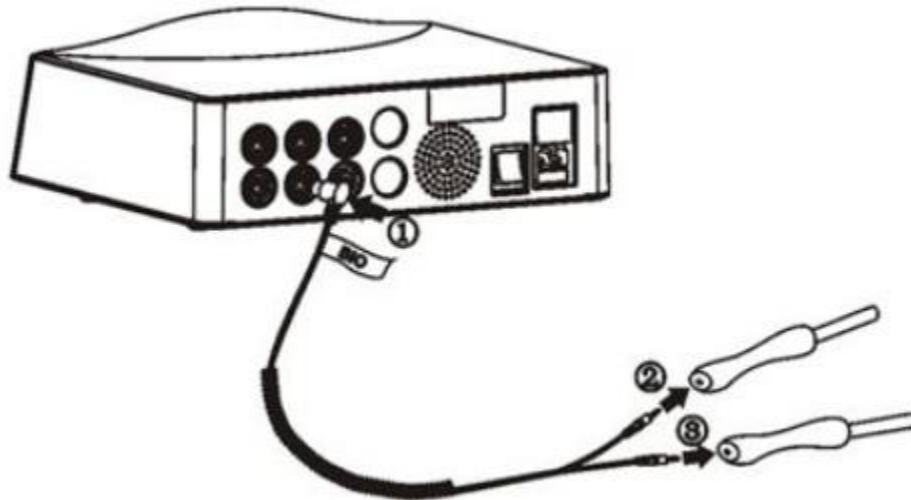
## **CAUTIONS**

- Pacemaker (any electrical or rhythmic heart-regulating device)
- Pregnancy
- Thrombosis/Phlebitis
- Skin diseases
- Operations (within the last 6 months)
- Silicone implants
- Hypersensitive or vascular skin

## **BIO-LIFTING INSTRUCTIONS OF USE**

- Connect one side of the wire in the rear panel, in the plug named “BIO WAVE MICROCURRENT”.

- Connect the other two sides of the wires in the handles of BIO-lifting. There are two kinds of handles:
  - (1)The ones that need cotton swabs are used in the eyes part. Is needed to include two cotton swabs in the hole of the handle.
  - (2)The ones with only one pole are used to the full body.
- Apply enough conductive gel to the treatment area.
- Make sure that the “ENERGY” level is at the minimum. You can adjust the output level by pressing “ENERGY +/-” button.
- Make sure that the “FREQUENCY” level is adjusted at 0.1 Hz. You can adjust the frequency level by pressing “FREQ +/-” button.
- Select the desired wave state by pressing “STATE”. There are 4 kinds of waves.
- Select the time of operating by pressing “TIMER +/-”.
- Press “START/PAUSE” to start the treatment.



## MAINTENANCE

After each treatment, the magic gloves and the BIO-lifting handles must be cleaned, sterilized and properly saved in a dry place.

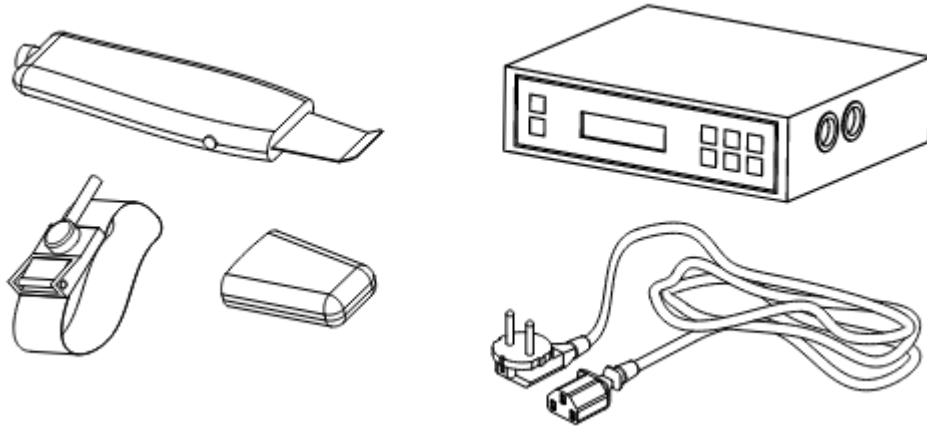
## TECHNICAL SHEET

Weights and sizes	Product size (cm)	20.7×22×7
	Gross weight (kg)	3.5
Electrical characteristics	Rated voltage	AC 100-240V
	Frecuency	50/60Hz
	Rated power	4 W

# Skin Scrubber Facial Skin Care Unit

## PACKAGE CONTENTS

- These components are subject to change without prior notice.
- Appearance of product may differ from the image.



## FRONT PANEL



## INSTRUCTIONS OF USE

- Connect the power supply via the rear panel.
- Connect the accessories properly in the lateral panel.
- Place the bracelet around the customer's wrist.
- Turn on the "POWER" button.
- Select the desired waveform output by pressing "STATE", the power output level by pressing "ENERGY" and the time by pressing "TIME". You can change any of these settings during the treatment.
- Press the "START/PAUSE" button.

## NOTES

A positive earth control system is in place while the machine is operating. This means that unless the machine

can find an earth return, the system will stop the current output to the probe. However, once the probe comes back into contact with the customer (the earth circuit is found), the system will restart the output immediately. This is a safety feature and should not be mistaken for a system fault.

## CAUTIONS

- People suffering from the following diseases are required not to use it: heart diseases, infectious diseases, people with metal implants and hypersensitive or vascular skins.
- Do not use the probe in one position on the skin for too long, to avoid the risk of burning.
- Always handle the probe with care as it contains delicate components. Take particular care of the probe blade as any damage will cause scratching of the skin's surface during use. Always store the probe safely when not in use.

## INSTRUCTIONS OF USE

- Connect the power supply via the rear panel.
- Connect the accessories properly in the lateral panel.
- Place the bracelet around the customer's wrist.
- Turn on the "POWER" button.
- Select the desired waveform output by pressing "STATE", the power output level by pressing "ENERGY" and the time by pressing "TIME". You can change any of these settings during the treatment.
- Press the "START/PAUSE" button.

## FAQ

- The probe suddenly stops emitting:
  - If the probe is separated from the skin, it will stop emitting after 5 seconds. This is a safety feature and should not be mistaken for a system fault.
  - Touch the skin with the probe and it will start emitting again after 5 seconds.

## MAINTENANCE

- Any oil on the probe must be removed immediately.
- After use, please clean the probe. Store it in the probe-protecting sleeve at all time.
- Store the probe carefully to avoid damaging it.

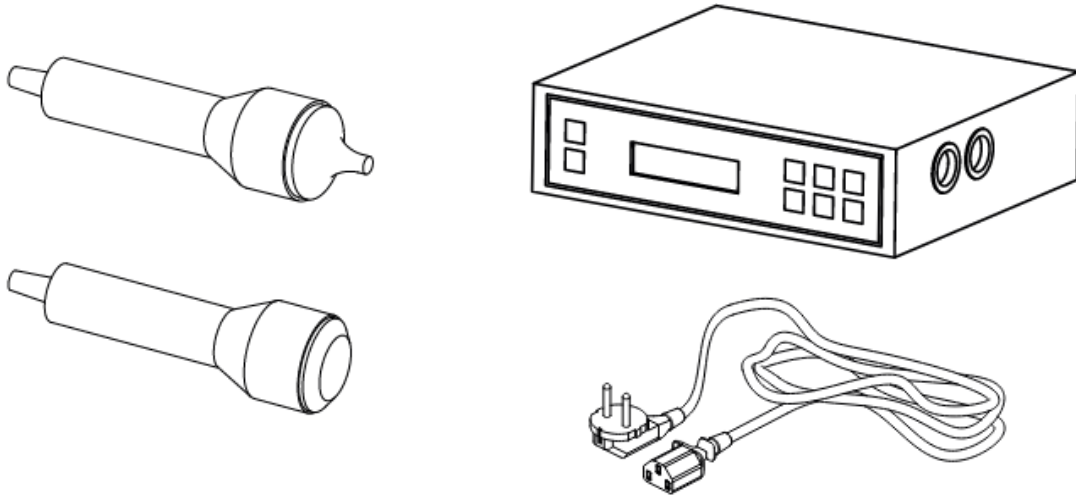
## TECHNICAL SHEET

Weights and sizes	Product size (cm)	20.7×22×7
	Gross weight (kg)	3.5
Electrical characteristics	Rated voltage	AC 100-240V
	Frecuency	50/60Hz
	Rated power	10 W

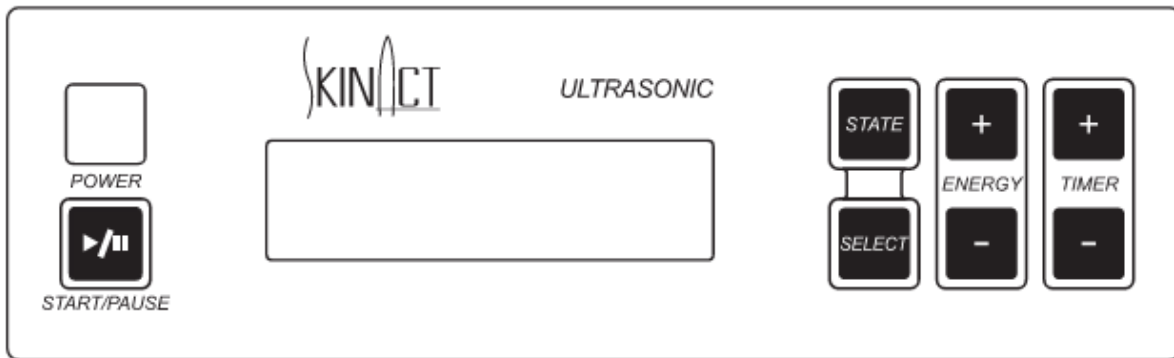
# Ultrasonic Facial Skin Care Unit

## PACKAGE CONTENTS

- These components are subject to change without prior notice.
- Appearance of product may differ from the image.



## FRONT PANEL



## INSTRUCTIONS OF USE

### BEFORE TREATMENT

- Cleanse/tone the treatment area using the prescribed skin-type products.
- Remove any left-over product by facial steam for 10 minutes.
- Cleanse the treatment area again to remove any dirt or debris from the face in order to prevent the ultrasound waves from pushing it back into the dermis.

- Tone every part of the face (or treatment area) gently using a suitable astringent.
- After wiping off the astringent, the skin will be thoroughly cleansed for optimum protection.
- Apply enough conductive gel to the treatment area.

## **STARTING TREATMENT**

- Connect the power supply via the rear panel.
- Connect the accessories properly in the lateral panel.
- Turn on the “POWER” button.
- Adjust the intensity of the output according to the “ENERGY” blocks on the LCD display. Generally, you should start at 3-4 blocks and then increase as required.
- Select the desired wave state by switching the “STATE” button. There are 3 kinds of wave state: continuous wave, intermittent wave, and combined wave.
- Select the desired output probe (face or eyes) by pressing “SELECT”.
- Hold the ultrasonic probe firmly and press the “START/PAUSE” button to begin.
- Massage the treatment area where the conductive gel has been applied using small circular motions to cover the whole treatment area. Treatment time will vary depending on the size of treatment area. A standard (complete) facial area, should take 10-15 minutes of repetitive massage.
- After completing the treatment, switch off the output and return the probe to its holder.

## **NOTES**

- Always make sure enough conductive gel is applied for at least 15 minutes of treatment time.
- Generally, lower output is used for facial display and higher output for body treatments.
- If the treatment area is small (LCD screen display), the treatment time may also be reduced to 8-10 minutes.
- A standard treatment course lasts around 10 sessions in total, with a minimum resting period of 1 day between sessions. If other facial treatments are being conducted on the same area, a minimum rest period of 7 days should be observed between treatments.

## CAUTIONS

- Never use on dry skin.
- Do not use on the stomach area of pregnant women.
- Do not use on people with known heart conditions.
- Do not use on people with pacemakers (any electrical or rhythmic heart-regulating device).
- Always use ultrasonic electrodes with enough moisturizer or serum on the skin.
- Ultrasonic treatment is suitable for all skin types. The massage time and machine settings can be adjusted for each different skin type. For sensitive skins, reduce treatment time to 3-5 minutes and make sure the power setting is at the lowest level to start with.

## FAQ

- Check the following if the work unit switches on but the probes do not emit:
  - Put a drop of water on one probe.
  - Switch on the unit and slowly increase the output energy.
  - If the water starts to move and evaporate, the unit and the probes are working properly. If not, the probes are not working properly.
- If the unit and the probes are working properly but the customer doesn't feel any effects:
  - Make sure enough conductive gel has been applied to the treatment area.

## MAINTENANCE

- The ultrasonic probes should be cleaned using clean water (not hot) and a clean, soft cloth and then chemically sterilized using an appropriate sterilization fluid. Dry the probe carefully after sterilizing and store it safely in its holder on the trolley in between uses. Always sterilize the probes again prior to use.
- Never immerse the probe in any fluid!

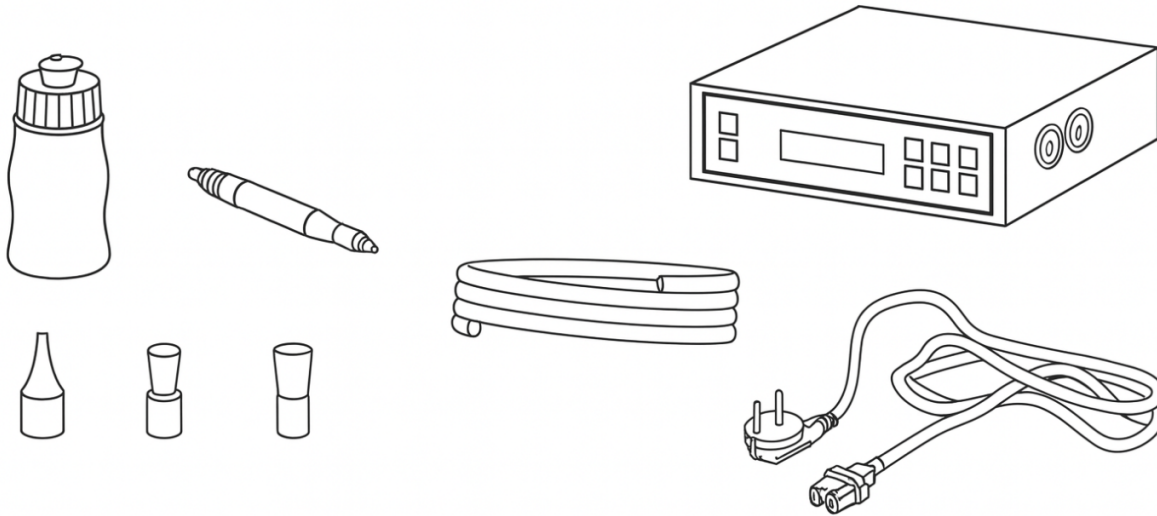
## TECHNICAL SHEET

Weights and sizes	Product size (cm)	20.7×22×7
	Gross weight (kg)	3.5
Electrical characteristics	Rated voltage	AC 100-240V
	Frecuency	50/60Hz
	Rated power	11 W

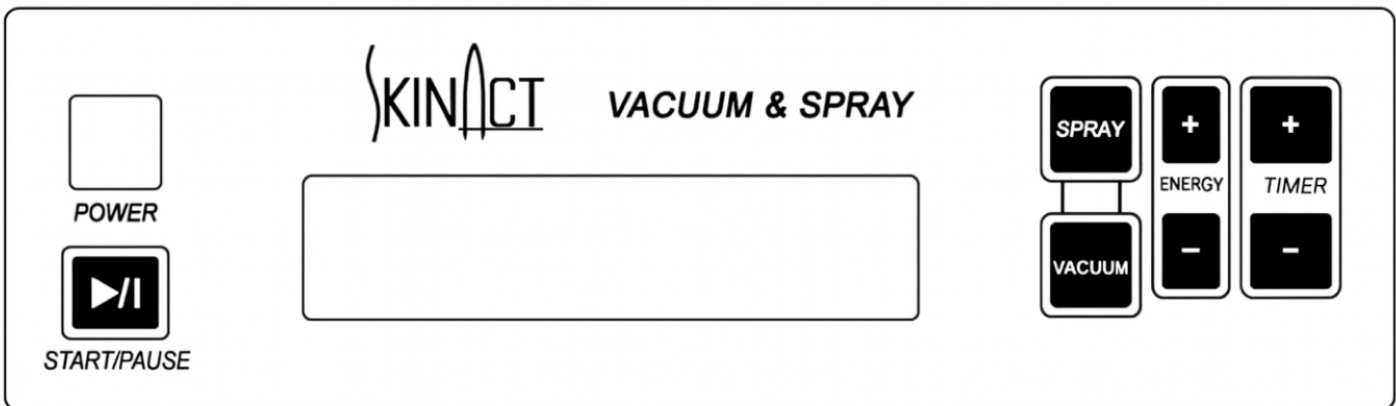
# VACUUM & SPRAY

## PACKAGE CONTENTS

- These components are subject to change without prior notice.
- Appearance of product may differ from the image.

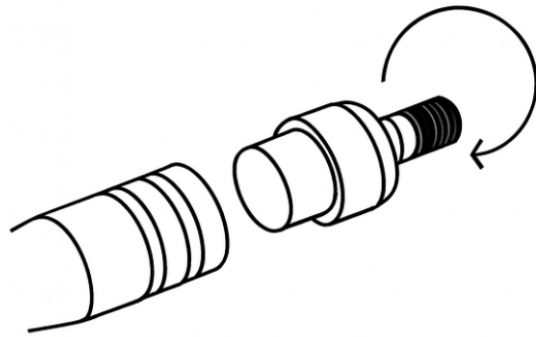


## FRONT PANEL



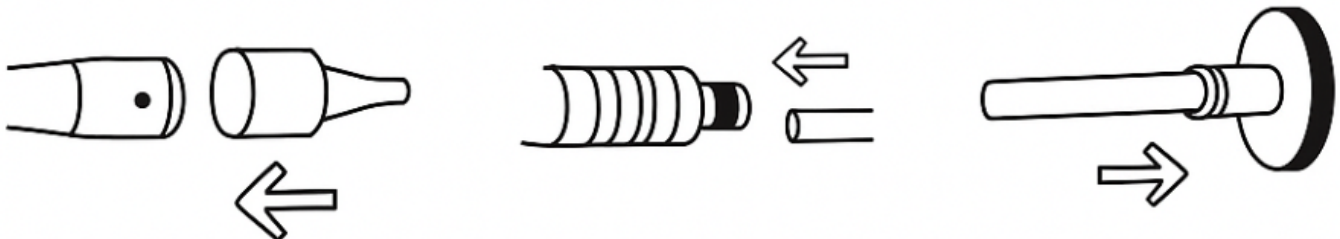
## INSTRUCTIONS OF USE

- Connect the power supply via the rear panel, indicated in the sketch as “POWER LINE INPUT.”
- Connect the accessories properly in the front/rear panel as indicated in the sketch.
- Turn on the “POWER” button.



## BLACKHEAD VACUUM

- Check that the foam filter is in its proper position in the handle.
- Select the “VACUUM” button to start the vacuum pump.
- Connect the vacuum air pipe to the corresponding vacuum nozzles on the side of the machine and then connect the other pipe ends to the vacuum handle. Three small glass heads are included, giving you the option of performing all types of facial vacuuming operations.



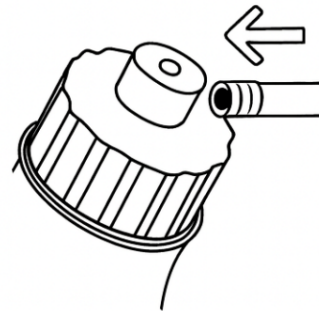
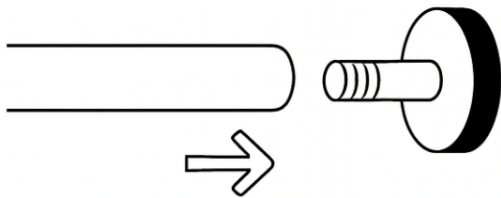
- Adjust the “ENERGY” and “TIMER” settings to your requirements.
- Press the “START/PAUSE” button to start treatment.
- You can adjust the suction effect by covering or uncovering the hole in the side of the handle with your finger.

## NOTES

- Normally the operation should not last more than 5 minutes. If the instrument overheats, turn off all the buttons and restart after 10 minutes.

## SPRAY

- Connect one end of the spray air pipe to the corresponding spray output nozzle on the side of the machine, and then connect the other end to the small spray bottle inlet nozzle. Two spray bottles are supplied, which can contain different liquids for use in treatments.



- Adjust the “ENERGY” and “TIMER” settings to your requirements.
- Press the “START/PAUSE” button to start treatment.
- To operate the spray bottle, simply cover the top vacuum nozzle with your index finger, which will allow the desired liquid to be released from the spray canister. To stop the flow of spray, simply remove your finger from the nozzle and the vacuum seal will be broken.

## **NOTE**

- Spray downwards from the forehead during operation. Stop the liquid from going into the nose. Ask the customer to close their eyes and shut their mouth.
- Maintain an adequate distance from the face whilst spraying so that the effect is felt as a gentle mist landing on the skin.
- Normally the operation should not last more than 5 minutes. If the instrument overheats, turn off all the buttons and restart after 10 minutes.

## **CAUTIONS**

- Do not leave the handle on the same part of skin for too long since it can cause injuries.
- Avoid using on irritated skin.
- Always make sure the spray pipe is connected to the right nozzle of the machine, to prevent accidental vacuuming of any spray solution into the pump, which can damage the pump of your machine and void your manufacturer's warranty.
- Do not work the vac/spray pump for extended periods without cool-down time between treatments in order to prevent overheating of the pump and damage to the machine. Damage caused by overheating of the pump is not covered by the manufacturer's warranty.

## **FAQ**

If the suction effect is reduced:  
Replace the metal and foam filters.

## **MAINTENANCE**

- The foam filter in the handle needs to be changed after every 5 treatments. Dismantle the handle and replace the filter. Then reassemble the handle.

## TECHNICAL SHEET

Weights and sizes	Product size ( cm)	20.7×22×7
	Gross weight (kg)	3.5
Electrical characteristics	Rated voltage	AC 100-240V
	Frequency	50Hz/60Hz
	Rated power	65 W

# Highlights

**The Platinum Multifunction SkinCare System is perfect for those who want a custom machine. It comes with 3 standard tools and 6 tools that you get to choose.**

**Standard Features – These come standard with every Platinum Multifunction SkinCare System:**

**Facial Ozone Steamer** - Comes with an adjustable extension arm that allows a broader facial steam. Unit includes a timer and alarm settings as well as an optional ozone setting.

Benefits: Moistens and cleanses the skin. Steam causes pores to expand and stimulates blood circulation. When the optional ozone setting is active, the steamer helps to increase cell oxygenation.

**Magnifying Lamp** - Consists of an optical lens and a soft tube light which is cool to the touch. Very suitable for treatments and skin analysis. It makes observation much easier, so acne and dark spots are found more quickly.

**Hot Towel Cabi** - Great for warming towels for your clients during facials.

**Attention: Below are the tools which you can choose from for this equipment. Please choose 6:**

**Vacuum and Spray** - Vacuum allows a deep cleansing of the skin. Brings skins impurities to the surface, which helps with easy extractions. Spray cools and soothes the skin. It also helps with product absorption into the skin.

**High Frequency** - Stimulates circulation of the blood, increases glandular activity, aids in elimination and absorption, increases metabolism, kills germs and bacteria, generates heat inside the tissue, and helps products to go deeper into the skin. Benefits: Aids acne treatment. Also kills bacteria and possible skin infections.

**Facial Brush** - Rotating brush system which includes a variety of attachments for different purposes. Lightweight for easy handling. Quiet operation and easy to access. Benefits: Cleanses pores deeply, removing any dirt and debris.

**Galvanic** – Galvanic current contains negative ions while treatment solutions contain positive ions. The current pushes products deeper into the skin. Products neutralize toxins, balance pH, and kill harmful free radicals. Galvanic also accelerates blood circulation. Benefits: Improves blood circulation and facilitates deeper product penetration.

**Microcurrent with Biolift** - Stimulates the muscle groups that need lifting and firming. The electrical current increases ATP and collagen production in the skin for younger, more vibrant looking skin.

**Skin Scrubber** - Helps to reduce wrinkles. It also helps to remove dark spots, dead skin, and other skin problems.

**Ultrasonic** - Stimulates the skin tissue with acoustic vibrations. Improves cell membrane and causes collagen regeneration. Reduces wrinkles and fine lines for younger looking and feeling skin. Ultrasonic also generates frictional heat which accelerates blood circulation and helps muscles to relax. Decomposes cellulite and allows deeper product penetration into the skin. Benefits: Utilizes sonic vibrations to reduce lines, leaving the skin firm and smooth. Features an intensity control.

**Hot / Cold Hammer** - The cold side of the hammer is designed for cooling down the skin after a dermabrasion treatment; it will reduce redness of the skin. The hot side is designed for accelerating the absorption of nutrients into the skin.

**Diamond Microdermabrasion** - Removes dead skin cells while exfoliating. Skin feels softer and smoother immediately following treatment

**Unit Weight: 96 lbs**

## Disclaimer

This manual shall only be used for the reference of operation of this particular model. If the manual is used for other purposes, we will not undertake any according consequences and responsibility.

All information of this manual shall be protected by copyright and shall not be copied and translated in any part of this specification without the written consent of manufacturer.

## Equipment Features

This series are composed of metal shell , stainless steel base, fashionable glass water cup, copper spray pipe and so forth. Therefore, it is featured with solid structure, durability and good shape. The special stainless steel base guarantees the stability and safety in high temperature, and it will not result in oxidation or re-composition in high temperature, so as to avoid some oxidized and heavy metal atoms from some traditional material in high temperature when they are at work, to harm the skin. Hence, it can guarantee the requirement for cleanness of vapor in beauty treatment.

The spray head can rotate at various angles, which make the operation more easily.

Apart from the basic herbs function, it is also equipped with time pre-set, five levels spray adjustment, and an automatic water level detection.

Besides, it also equipped with maximum and minimum water level alarming system, so as to prevent the damage for heater parts when the water level is too low, or prevent the users from opening the steamer due to their carelessness when there is no water in the water cup.

## Warning

- Please make sure the power line is cut off when there is no water or a lack of water. To avoid any danger, disconnect the power when the water level is low. Otherwise, the users should take full responsibility if there is any accident.
- Please read the detailed instructions carefully or operate the instrument with the help of professional technicians.
- Children shall not use this instrument and get close to or play this instrument within an hour after the instrument stop operating.
- Since this instrument works with high temperature, keep an eye on the instrument when it is working to prevent any accidents or fire.
- Do not use any greasy elements into the water container or the herbs filter mesh, otherwise, water may spray out.
- Do not spray vapor directly down to the client's face too closely, or it will cause scald.
- Do not use the steamer under humid environment, like bathroom, etc.
- Do not use the steamer under the sun for long time, otherwise, it will cause some instabilities.
- Do not conduct electricity between probes directly, or it will lead to elements damages.
- Do not open up the machine by oneself. If there is anything unusual, please consult the sales agent.