

Portable Massage Table W/ Reclineable Back Specifications Sheet



SKIN+ACT

Toll Free: 1.800.418.0830

www.skinact.com
www.spaandequipment.com

International: 818.834.6640

NOTICE

No part of this document may be photocopied, reproduced, or translated into any other language without prior written consent of Spa and Equipment/SkinAct.

The information in this document is subject to change without notice at any time and should not be construed as a commitment by Spa and Equipment/SkinAct.

Spa and Equipment/SkinAct assumes no responsibility for any errors that may be in this document, nor does it make expressed or implied warranty with regard to this material, including, but not limited to, the implied warranties of merchantability and fitness for a particular purpose.

Spa and Equipment/SkinAct shall not be liable for incidental or consequential damages arising out of the furnishing, performance, or use of this document and the program material which it describes.

SKIN+ACT

Toll Free: 1.800.418.0830

www.skinact.com
www.spaandequipment.com

International: 818.834.6640

Measurements

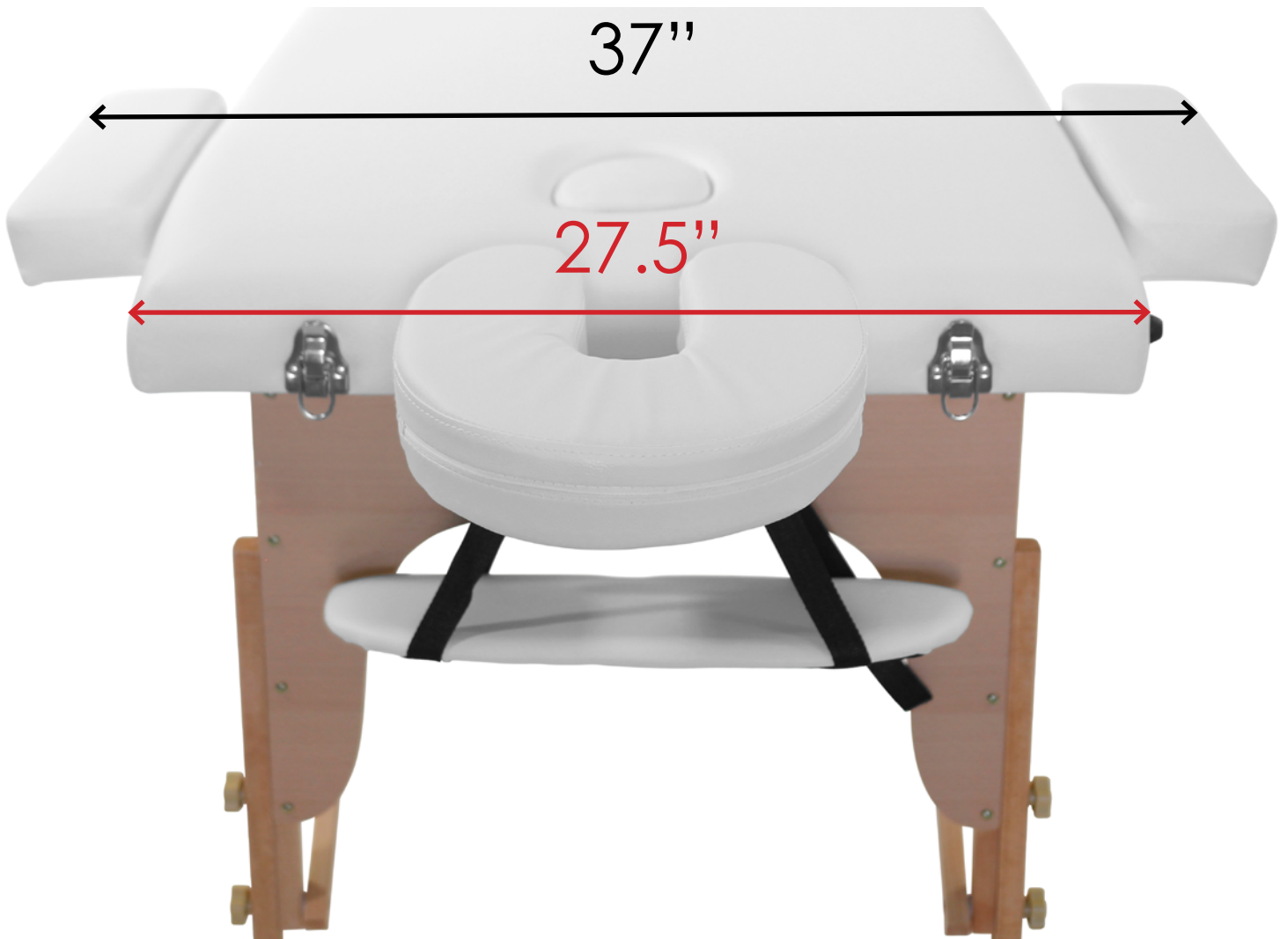
← Length with face cradle extended: 93" →

← Length with face cradle: 89" →

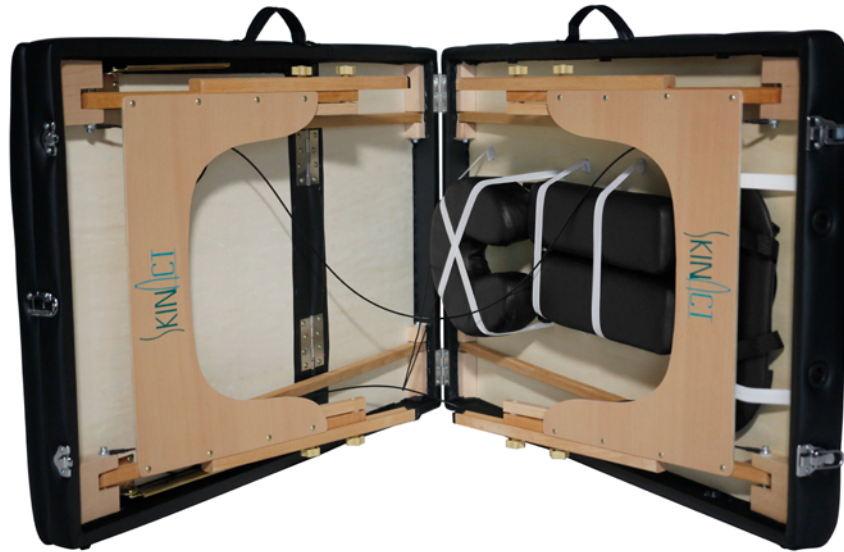
← Length without face cradle: 77.5" →



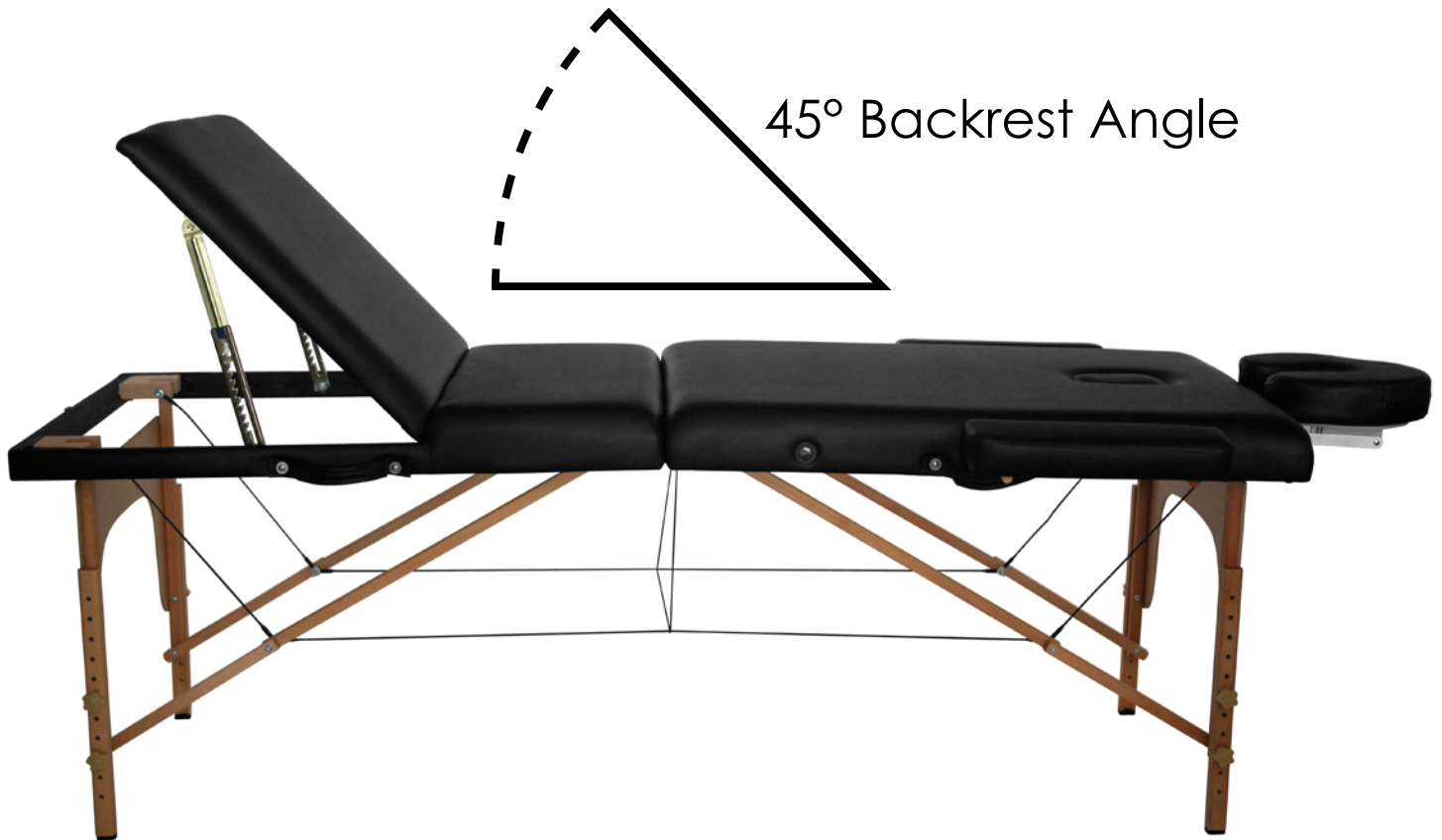
Measurements



Measurements



Measurements



Highlights

Movements:

- Manual height adjustment
- Manual backrest angle adjustment
- Manual removable face cradle and arm rests

Dimensions/Specifications:

- Length without face cradle: 77.5"
- Length with face cradle attached: 89"
- Length with face cradle extended: 93"
- Width: 27.5"
- Width with arm rests: 37"
- Table heights: 25.5" - 34"
- Dimensions when folded and in carrying case: 39" Long x 27.5" High x 8" Thick
- Backrest angle: 0° flat to 45° inclined
- Weight: 45 lbs
- Bearing pressure: 350 lbs
- Colors available: Black or White
- Face cradle and arm rests included
- Carrying case included
- Breather hole for when clients are face down

* All height measurements are from ground to top of cushion *

** All measurements have a 0.5 to 1 inch tolerance **

Warranty Information:

1-year warranty