

Pro 9 Function Skincare System (SKU16146)



SKIN+ACT

Toll Free: 1.800.418.0830

www.skinact.com
www.spaandequipment.com

International: 818.834.6640

NOTICE

No part of this document may be photocopied, reproduced, or translated into any other language without prior written consent of Spa and Equipment/SkinAct.

The information in this document is subject to change without notice at any time and should not be construed as a commitment by Spa and Equipment/SkinAct.

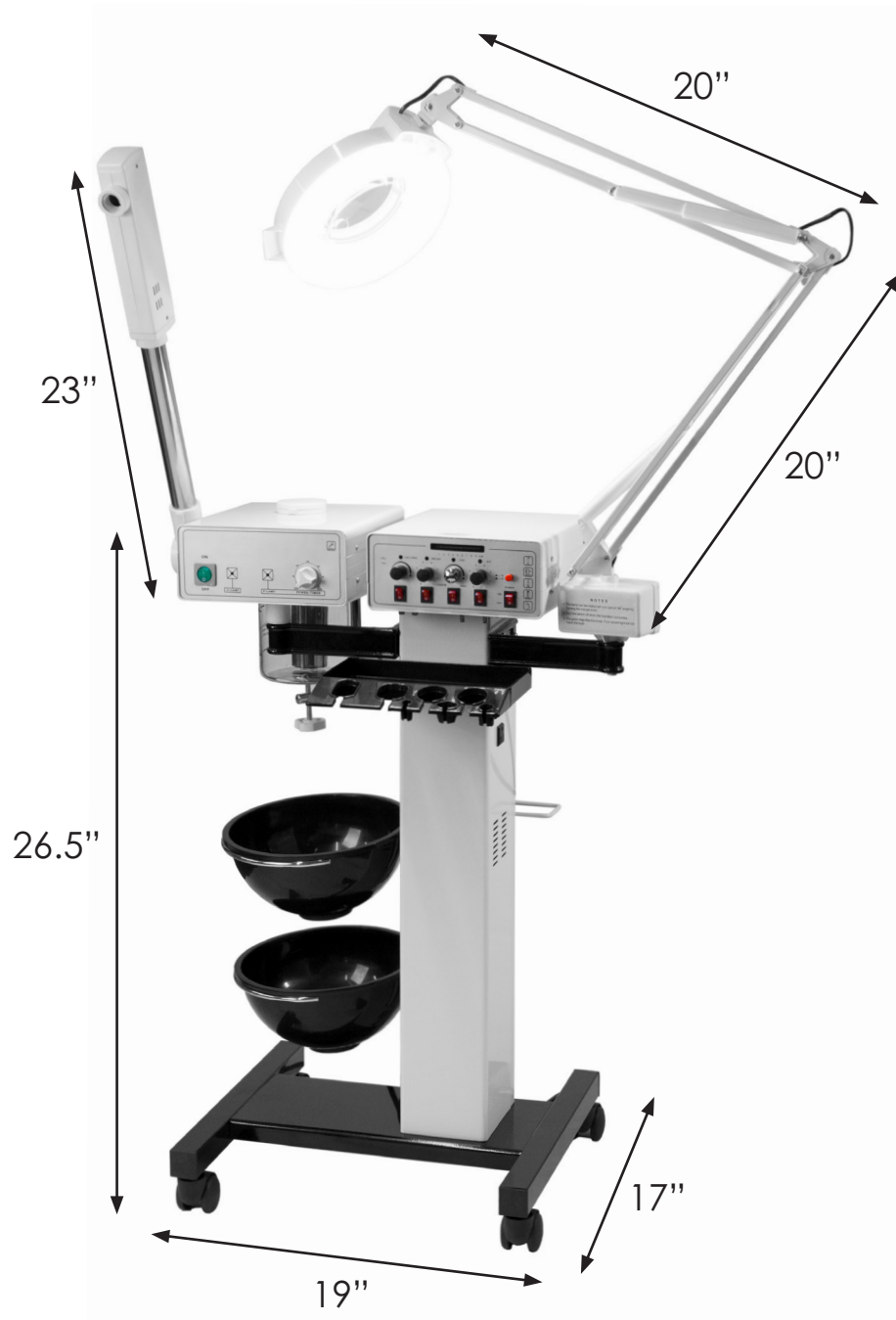
Spa and Equipment/SkinAct assumes no responsibility for any errors that may be in this document, nor does it make expressed or implied warranty with regard to this material, including, but not limited to, the implied warranties of merchantability and fitness for a particular purpose.

Spa and Equipment/SkinAct shall not be liable for incidental or consequential damages arising out of the furnishing, performance, or use of this document and the program material which it describes.

SKIN+ACT

Toll Free: 1.800.418.0830	www.skinact.com www.spaandequipment.com	International: 818.834.6640
---------------------------	--	-----------------------------

Measurements



Tools



Vacuum: Allows a deep cleansing of the skin. Brings skins impurities to the surface, which helps with easy extractions. Benefits: Deep cleansing of the skin's pores.



Spray: Cools and soothes the skin. Helps with product absorption into the skin. Benefits: Moisturizes and helps products penetrate the skin more deeply.



High Frequency: Stimulates circulation of the blood, increases glandular activity, aids in elimination and absorption, increases metabolism, kills germs and bacteria, generates heat inside the tissue, and helps products to go deeper into the skin. Benefits: Aids acne treatment. Also kills bacteria and possible skin infections.



Facial Brush: Rotating brushing system, includes a variety of attachments for different purposes. Lightweight for easy to handle, quiet and convenient for shaft hook-up to allow easy access. Benefits: Relax and enjoy the soft massage while the brush deep cleanses into pores to remove any dirt and debris.



Galvanic: applies the principle of negative and positive current pulling. Cooperating with nutritional solution of anion and Cation to introduce nutrition into skin and harmonize skin degree of acid and alkali. And also to accelerate blood circulation. Benefits: Utilizes sonic vibrations to reduce lines, leaving the skin firm and smooth. Features intensity control.

Tools



Magnifying Lamp: Magnifying lamp consists of optical lens and soft light of cold lamp tube. It can make observation cleaner, so acne and dark spots are more easily to be found. It is very suitable treatments and skin analysis.



Woods Lamp: The Wood's lamp uses deep violet rays to expose skin conditions that normally are not visible to the naked eye. Different skin conditions show up in varied shades of violet. Examples: Dehydrated skin shows up as light violet, while hydrated skin is bright fluorescent violet
Benefits: Ability to view the skin under UV rays to effectively treat the skin.



Facial Ozone Steamer: Moistens and cleanses skin. Steam causes pores to expand and stimulates blood circulation. Comes with an adjustable extension arm that will allow a broader facial steam. Unit Includes a timer, and Alarm Settings.
Benefits: Moisten and cleanses the skin. Steam causes pores to expand and stimulates blood circulation. The ozone variety of steam is also capable of increasing cell oxygenation.



Towel and Tools Basin: Its great to have extra space to put your towels or tools during work, with extra basins on the machine you can have a lot of extra space for your tools.

Highlights

Pro 9 Function Skin Care System

1. Vacuum - Allows a deep cleansing of the skin, brings skins impurities to the surface, aiding in easy extractions.

Benefits: Deep pore cleansing of the skin.

2. Spray - Cools and Soothes the skin. Aiding in absorption into the dermis.

Benefits: Aids products into skin, providing deep moisture and product benefits.

3. High Frequency - Stimulates circulation of the blood, increases glandular activity, aids in elimination and absorption, increase metabolism, germicidal action, generates heat inside the tissue and aids in deeper penetration of products into the skin.

Benefits: To aid in the treatment of acne, kills bacteria and possible skin infections.

4. Facial Brush - Rotating brushing system, includes a variety of attachments for different purposes. Lightweight for easy to handle, quiet and convenient for shaft hook-up to allow easy access. Benefits: Relax and enjoy the soft massage while the brush deep cleanses into pores to remove any dirt and debris.

5. Galvanic - Applies the principle of negative and positive current pulling. Cooperating with nutritional solution of anion and Cat-ion to introduce nutrition into skin and harmonize skin degree of acid and alkali. And also to accelerate blood circulation. Benefits: Utilizes sonic vibrations to reduce lines, leaving the skin firm and smooth. Features intensity control.

6. Magnifying Lamp - Magnifying lamp consists of optical lens and soft light of cold lamp tube. It can make observation cleaner, so acne and dark spots are more easily to be found. It is very suitable treatments and skin analysis.

7. Woods Lamp - The Wood's lamp uses deep violet rays to expose skin conditions that normally are not visible to the naked eye. Different skin conditions show up in varied shades of violet. Examples: Dehydrated skin shows up as light violet, while hydrated skin is bright fluorescent violet

Benefits: Ability to view the skin under UV rays to effectively treat the skin.

8. Facial Ozone Steamer - Moistens and cleanses skin. Steam causes pores to expand and stimulates blood circulation. Comes with an adjustable extension arm that will allow a broader facial steam. Unit Includes a timer, and Alarm Settings. Benefits: Moisten and cleanses the skin. Steam causes pores to expand and stimulates blood circulation. The ozone variety of steam is also capable of increasing cell oxygenation.

9. Towel and Tools Basin- Its great to have extra space to put your towels or tools during work, with extra basins on the machine you can have a lot of extra space for your tools.

Dimensions: 39.4"H x 26"W x 20.1"D

Weight: 60 lbs

1 Year Limited Warranty

Disclaimer

This manual shall only be used for the reference of operation of this particular model. If the manual is used for other purposes, we will not undertake any according consequences and responsibility.

All information of this manual shall be protected by copyright and shall not be copied and translated in any part of this specification without the written consent of manufacturer.

Equipment Features

This series are composed of metal shell , stainless steel base, fashionable glass water cup, copper spray pipe and so forth. Therefore, it is featured with solid structure, durability and good shape. The special stainless steel base guarantees the stability and safety in high temperature, and it will not result in oxidation or re-composition in high temperature, so as to avoid some oxidized and heavy metal atoms from some traditional material in high temperature when they are at work, to harm the skin. Hence, it can guarantee the requirement for cleanness of vapor in beauty treatment.

The spray head can rotate at various angles, which make the operation more easily.

Apart from the basic herbs function, it is also equipped with time pre-set, five levels spray adjustment, and an automatic water level detection.

Besides, it also equipped with maximum and minimum water level alarming system, so as to prevent the damage for heater parts when the water level is too low, or prevent the users from opening the steamer due to their carelessness when there is no water in the water cup.

Warning

- Please make sure the power line is cut off when there is no water or a lack of water. To avoid any danger, disconnect the power when the water level is low. Otherwise, the users should take full responsibility if there is any accident.
- Please read the detailed instructions carefully or operate the instrument with the help of professional technicians.
- Children shall not use this instrument and get close to or play this instrument within an hour after the instrument stop operating.
- Since this instrument works with high temperature, keep an eye on the instrument when it is working to prevent any accidents or fire.
- Do not use any greasy elements into the water container or the herbs filter mesh, otherwise, water may spray out.
- Do not spray vapor directly down to the client's face too closely, or it will cause scald.
- Do not use the steamer under humid environment, like bathroom, etc.
- Do not use the steamer under the sun for long time, otherwise, it will cause some instabilities.
- Do not conduct electricity between probes directly, or it will lead to elements damages.
- Do not open up the machine by oneself. If there is anything unusual, please consult the sales agent.