

SKIN+ACT

Madison Electric Spa Facial Treatment Chair/Table

PRODUCT MANUAL

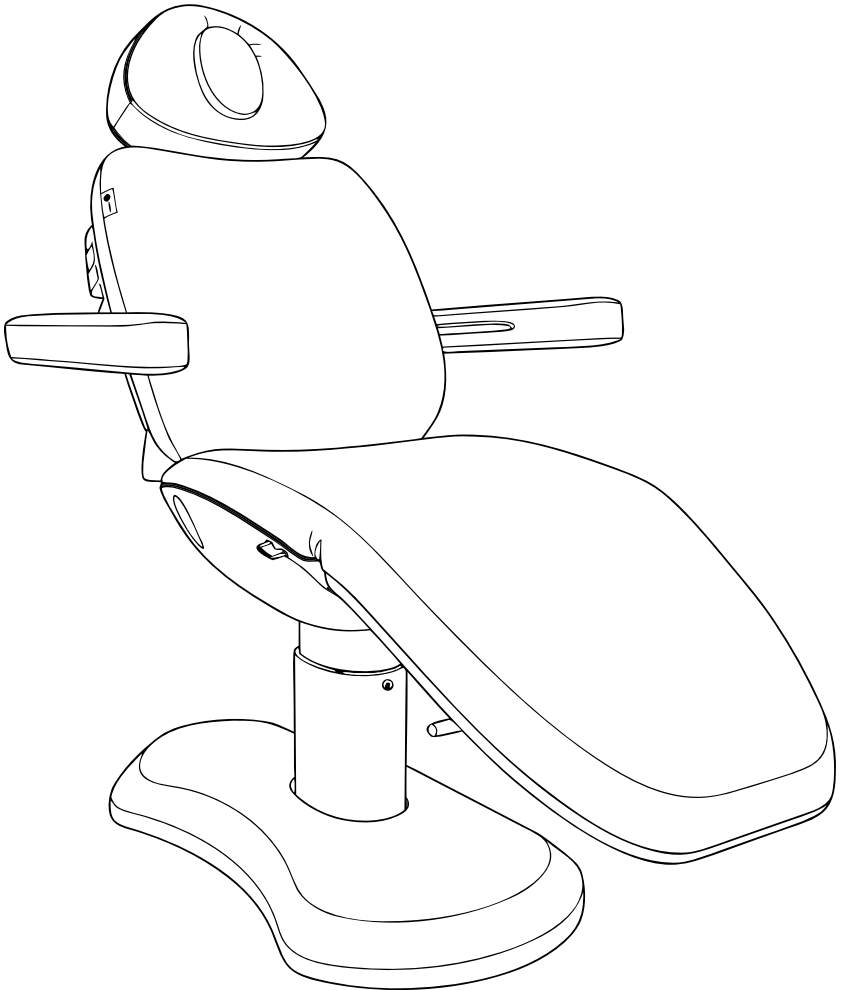


TABLE OF CONTENTS

Notice & Disclaimer	3
Safety and Operating Instructions	4
Precautions	4
Specifications	5
Angle Specifications	6
Installation	7
Remote Control Instructions & Built-In Unit Controls	8
Lift Adjustment & Backrest Adjustment	9
Footrest Adjustment & Pillow Adjustment	10
Maintenance	11
Technical Specifications	12
Warranty Information	13

NOTICE

No part of this document may be photocopied, reproduced, or translated into any other language without prior written consent of Spa and Equipment/SkinAct.

The information in this document is subject to change without notice at any time and should not be construed as a commitment by Spa and Equipment/SkinAct.

Spa and Equipment/SkinAct assumes no responsibility for any errors that may be in this document, nor does it make any express or implied warranty with regard to this material, including, but not limited to, the implied warranties of merchantability and fitness for a particular purpose.

Spa and Equipment/SkinAct shall not be liable for incidental or consequential damages arising out of the furnishing, performance, or use of this document and the program material which it describes.

DISCLAIMER

This product is intended for professional use by trained spa, salon, esthetic, wellness, or other qualified professionals. It must be used only for its intended purpose and in accordance with all instructions, warnings, contraindications, maintenance requirements, and safety guidelines provided in this manual.

The information in this manual is for general product operation and safety reference only. It does not replace professional training, licensing requirements, medical advice, service instructions, applicable laws, or workplace safety rules. Users are responsible for proper training, safe operation, inspection, client screening when applicable, sanitation, maintenance, and compliance with all applicable regulations.

SkinAct/Spa and Equipment does not provide medical advice and does not diagnose, treat, cure, or prevent any disease, medical condition, injury, or skin disorder. Any treatment descriptions, suggested uses, or expected results are for general cosmetic and professional use reference only, and results may vary.

Before each use, inspect the product, power cord, accessories, attachments, moving parts, and related components, as applicable, for damage, looseness, contamination, instability, or abnormal operation. Do not use the product if it appears damaged, defective, improperly assembled, unsafe, or if any component is missing or malfunctioning.

The user assumes full responsibility for proper assembly, installation, operation, client selection when applicable, treatment technique when applicable, cleaning, maintenance, and storage. SkinAct/Spa and Equipment shall not be responsible for injury, property damage, treatment complications, equipment damage, loss of business, or other damages resulting from misuse, improper use, lack of training, failure to follow instructions, unauthorized repairs or modifications, improper maintenance, or use outside the intended purpose.

Do not modify, disassemble, repair, or alter this product unless authorized in writing by SkinAct/Spa and Equipment or performed by an approved service provider. Unauthorized modification, misuse, improper maintenance, or failure to follow this manual may void the warranty.

Product designs, specifications, components, accessories, images, and instructions may vary from the actual product and may be changed or updated without prior notice.

This product contains electric adjustment components and moving parts. Improper use may cause injury, pinching, equipment damage, or unsafe operation. Users are responsible for operating the table safely and following all instructions, warnings, and maintenance requirements in this manual. The user is solely responsible for confirming that use of this device is permitted under applicable state/local laws, scope-of-practice rules, licensing requirements, and workplace safety standards. This device is not intended for self-use, home use, or use by untrained individuals.

Safety and Operating Instructions

To ensure safe and proper operation of this electric beauty bed, please read the following instructions carefully and retain this manual for future reference.

- **Proper Setup and Grounding:**
- This electric treatment table requires a three-wire power cable and must be connected to a grounded three-prong power outlet. This ensures proper grounding, prevents accidental electric shock, and supports normal operation.
- **Avoid Water Exposure:**
- All plugs, buttons, and connecting cables must not come into contact with water or any other liquids during use.
- **Inspect for Damage:**
- Immediately discontinue use of the table if any plugs, buttons, or connecting cables are damaged.
- **Usage Frequency:**
- The electric push rod of the treatment table should only be operated for up to 6 minutes per hour.
- **Professional Repairs Only:**
- Repairs and maintenance must be conducted exclusively by trained and qualified professionals.

Precautions

- 1. Health Restrictions:**
 - This product should not be used by individuals with osteoporosis or heart conditions.
 - Pregnant individuals should avoid using this product.
 - Those with physical injuries or skin conditions are advised not to use this product.
- 2. Use by Minors and Individuals with Impaired Awareness:**
 - Children under 14 years of age and individuals with impaired consciousness must not use this product without supervision.
- 3. Inspection Before Use:**
 - Inspect the power cord and plug for damage before each use. If damage is found, they must be replaced by a qualified operator or technician.
- 4. Voltage Compliance:**
 - Confirm that the product is connected to the correct voltage as specified. Incorrect voltage can result in product damage.

5. Electrical Safety:

- Do not handle the power plug with wet hands to prevent electric shock.
- Ensure the product is installed before powering it on.

6. Cord Replacement:

- Secure the power cord to prevent tripping, pulling, or damage.

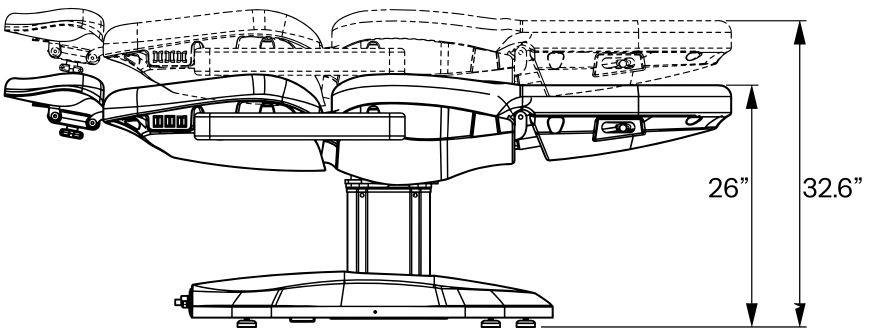
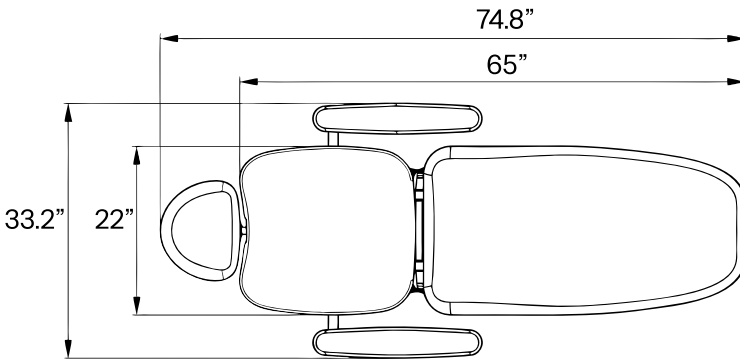
7. Cleaning:

- Clean the product's surface with a soft towel dampened with neutral detergent.

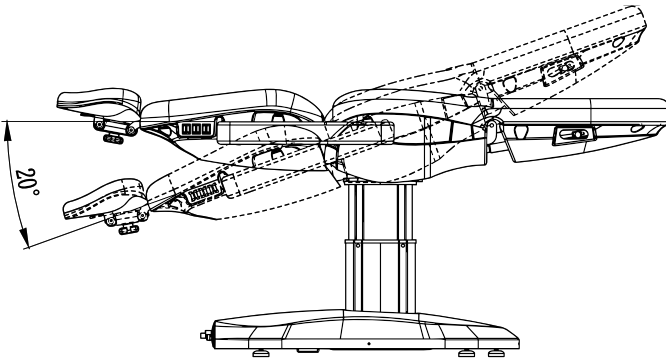
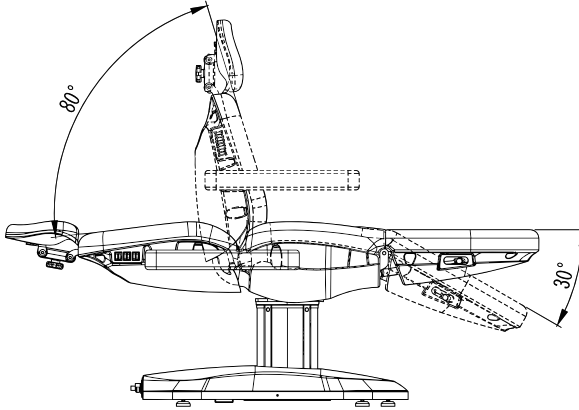
8. Unplugging When Not in Use:

- Always unplug the product when it is not in use.

Specifications



Angle Specifications



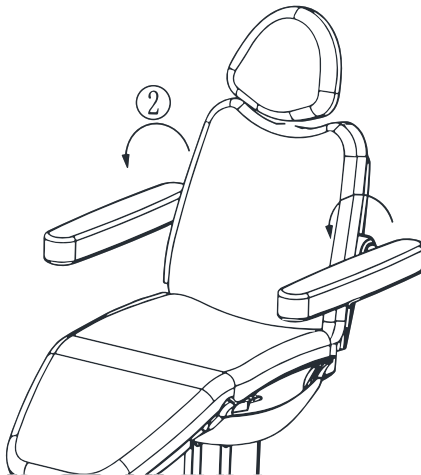
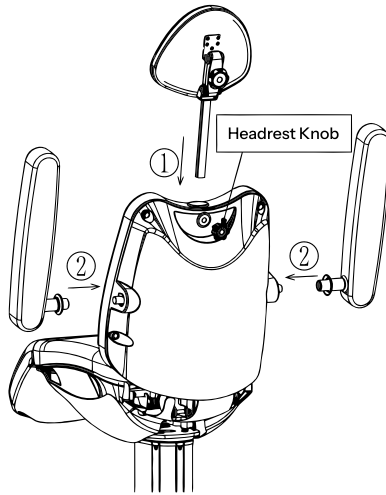
Installation

1. Install the headrest.

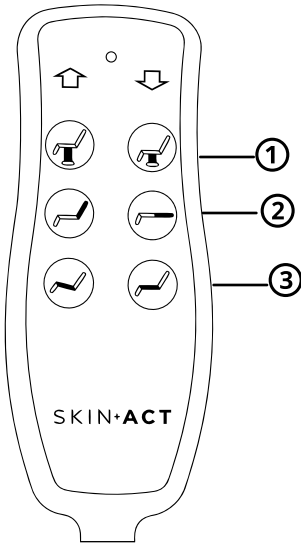
Attach the headrest to the bed. Loosen the headrest adjustment knob, set the headrest to the desired height, then tighten the knob to secure it in place. See Figure ①.




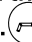


2. Install the armrests.

Insert the left and right armrest connecting rods into the corresponding slots on the bed's internal pins. Rotate each armrest counterclockwise 90° until it is securely locked in place. See Figure ②.

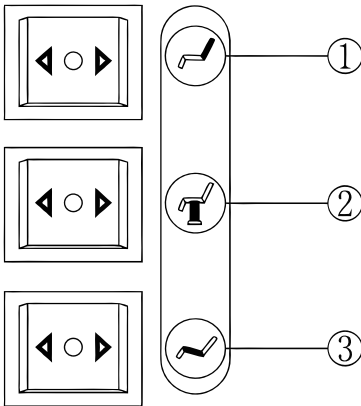


Remote Control Instructions





- ① **Raise or Lower the Bed**
 Press and hold the upper button to raise the bed. 
 Press and hold the lower button to lower the bed. 
- ② **Adjust the Backrest Angle**
 Press and hold the upper button to increase the backrest angle. 
 Press and hold the lower button to decrease the backrest angle. 
- ③ **Adjust the Seat Cushion Angle**
 Press and hold the upper button to increase the seat cushion angle. 
 Press and hold the lower button to decrease the seat cushion angle. 

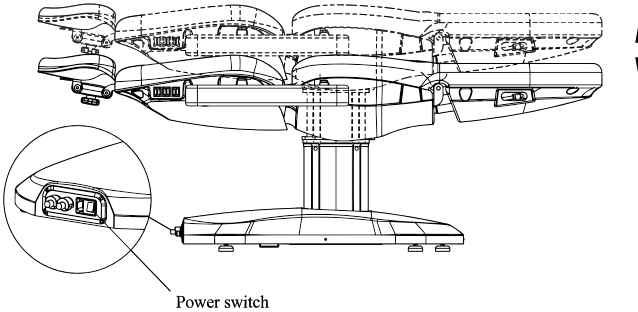
Built-In Unit Controls





- ① **Adjust the Backrest Angle**
 Press and hold the left side of the switch to increase the backrest angle.
 Press and hold the right side of the switch to decrease the backrest angle.
- ② **Raise or Lower the Bed**
 Press and hold the left side of the switch to raise the bed.
 Press and hold the right side of the switch to lower the bed.
- ③ **Adjust the Seat Cushion Angle**
 Press and hold the left side of the switch to increase the seat cushion angle.
 Press and hold the right side of the switch to decrease the seat cushion angle.

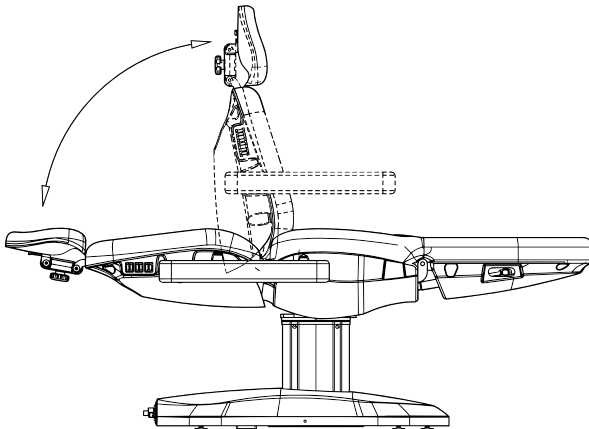
Lift Adjustment

1. Turn on the power switch before adjusting the bed height.
2. Press and hold the Raise button on the manual remote or built-in unit switch to lift the bed. 
3. Press and hold the Lower button on the manual remote or built-in unit switch to lower the bed. 



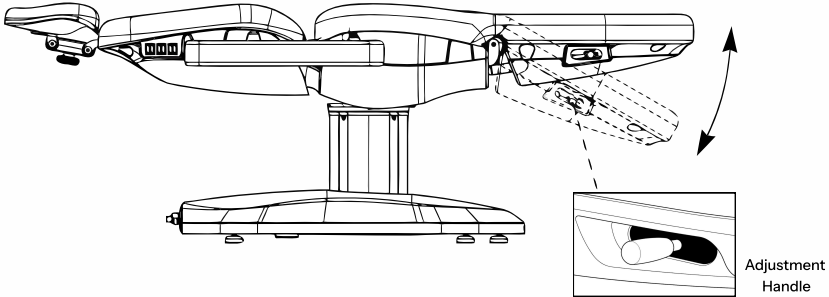
Backrest Adjustment

1. Press and hold the Backrest Up button on the manual remote or built-in unit switch to raise the backrest. 
2. Press and hold the Backrest Down button on the manual remote or built-in unit switch to lower the backrest. 



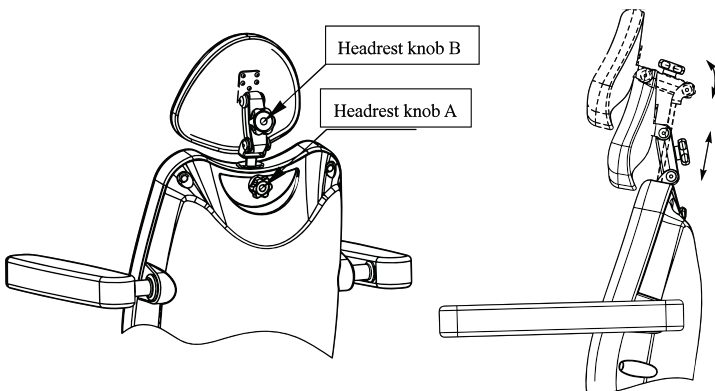
Footrest Adjustment

1. Pull back and hold the footrest adjustment handle to adjust the angle of the leg pad.
2. Release the handle once the leg pad is in the desired position to lock it in place.



Pillow Adjustment

1. **Adjust the pillow height.**
Loosen Knob A to raise or lower the pillow to the desired height. Tighten the knob to secure it in place.
2. **Adjust the pillow angle.**
Loosen Knob B to rotate or tilt the pillow to the desired angle. Tighten the knob to lock the pillow in position.



Maintenance

- When cleaning and sanitizing, do not use bleach, Barricade, or other harsh chemicals. Using harsh chemicals can damage the upholstery.
- For best results, we recommend cleaning with **SkinAct All-In-One Upholstery & Disinfecting Multi-Purpose Cleaner** (SKU24261).
- Clean and sanitize the upholstery after each treatment.
- Every six months, visually inspect the parts of the unit. If there are any abnormal noises or vibrations during operation, call Spa & Equipment/SkinAct at 1-800-418-0830.

Specifications

Product Name:	Madison Medical Spa Electric Treatment Table/Procedure Chair
Voltage:	AC100-130V/220-240V
Frequency:	50/60Hz
Power Consumption:	200W, 2A
Seat Tilt Angle:	20°
Height Range:	26"- 32.6"
Length with headrest:	74.8"
Length without headrest:	65"
Width with armrest:	33.2"
Width without armrest:	22"
Weight Capacity:	440 lbs

Warranty Information

The manufacturer/warrantor warrants to the original purchaser that this product will be free from defects in materials and workmanship under normal and proper use for a period of one (1) year from the original date of purchase, unless otherwise stated in writing for a specific product.

This limited warranty applies only to the original purchaser and is not transferable. Proof of purchase may be required to obtain warranty service.

This warranty covers parts and labor required to correct defects in materials or workmanship during the warranty period. At the warrantor’s discretion, the product may be repaired, replaced, or substituted with a comparable item or component.

This warranty does not cover damage or defects caused by misuse, abuse, improper assembly, improper installation, unauthorized modification, unauthorized repair, neglect, accident, improper cleaning, use of harsh chemicals, power surges, water or liquid damage, use outside the intended purpose, failure to follow the product manual, or use with parts/accessories not approved by SkinAct.

This warranty does not cover normal wear and tear, cosmetic damage, upholstery wear, stains, discoloration, scratches, dents, wheels/casters, bulbs, glass parts, filters, tips, probes, disposable parts, consumables, or accessories subject to regular replacement unless the defect is determined to be due to a manufacturing issue.

The warrantor shall not be liable for loss of use, loss of time, loss of business, lost revenue, inconvenience, or any indirect, incidental, special, or consequential damages arising from the use of this product or from any defect covered by this warranty.

To request warranty service, contact the dealer or SkinAct customer support. If return service is required, the purchaser may be asked to return the product or the affected component for inspection. The purchaser is responsible for properly packaging the item and prepaying all shipping costs to send the item in for warranty service. If the issue is covered under warranty, repair or replacement will be performed at no charge, subject to the terms of this limited warranty.

Warranty does not cover damage, contamination, upholstery damage, sanitation-related issues, injury claims, or equipment issues resulting from improper cleaning, improper maintenance, misuse, use by untrained users, or use outside applicable safety guidelines. This limited warranty is the only written or express warranty provided by the warrantor. No employee, representative, dealer, or third party is authorized to modify or extend this warranty unless confirmed in writing by SkinAct. This warranty gives you specific legal rights, and you may also have other rights, which vary by state or province.

SKIN+ACT

Phone: 1-800-418-0830

Email: info@skinact.com

Website: www.skinact.com