

Soho Spa Facial Treatment Table Specifications Sheet



SKIN+ACT

Toll Free: 1.800.418.0830

www.skinact.com
www.spaandequipment.com

International: 818.834.6640

NOTICE

No part of this document may be photocopied, reproduced, or translated into any other language without prior written consent of Spa and Equipment/SkinAct.

The information in this document is subject to change without notice at any time and should not be construed as a commitment by Spa and Equipment/SkinAct.

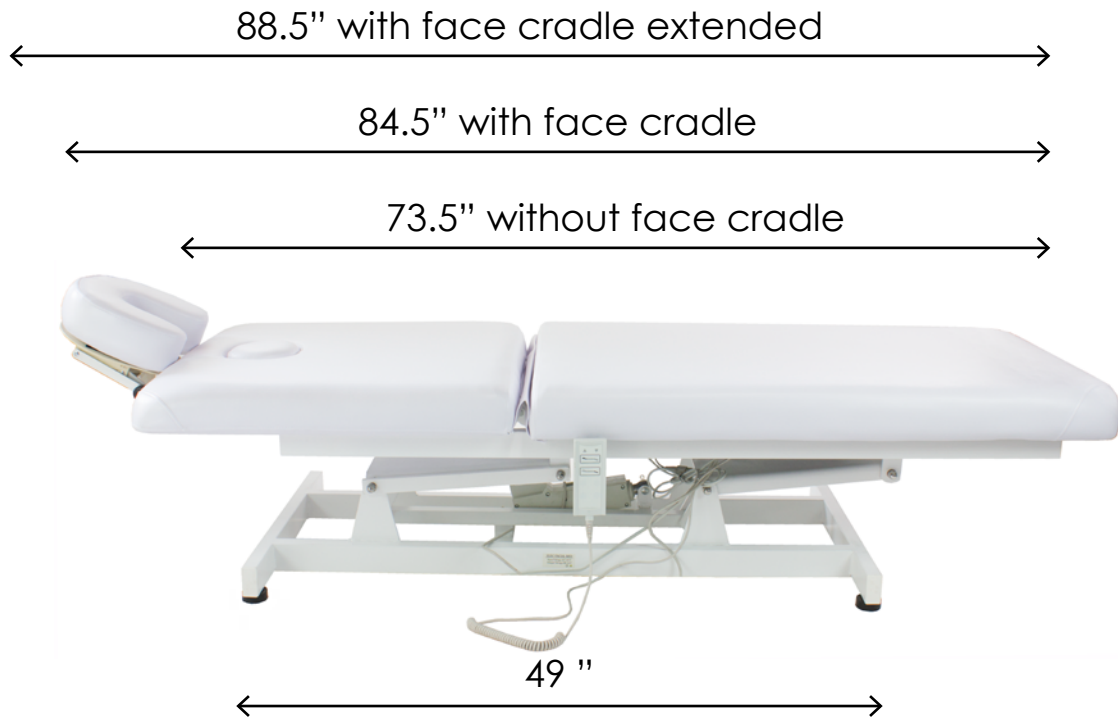
Spa and Equipment/SkinAct assumes no responsibility for any errors that may be in this document, nor does it make expressed or implied warranty with regard to this material, including, but not limited to, the implied warranties of merchantability and fitness for a particular purpose.

Spa and Equipment/SkinAct shall not be liable for incidental or consequential damages arising out of the furnishing, performance, or use of this document and the program material which it describes.

SKIN+ACT

Toll Free: 1.800.418.0830	www.skinact.com www.spaandequipment.com	International: 818.834.6640
---------------------------	--	-----------------------------

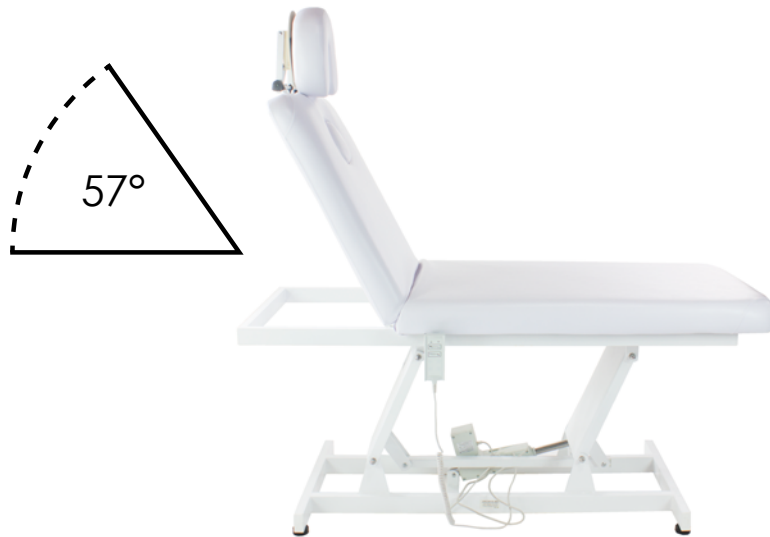
Measurements



Measurements



Measurements



Highlights

Movements:

- Electric backrest angle adjustment
- Electric height adjustment
- Manual removable face cradle

Dimensions/Specifications:

- Length without face cradle: 73.5"
- Length with face cradle: 84.5"
- Length with face cradle extended: 88.5"
- Width: 29"
- Heights: 16" - 27"
- BASE ONLY Dimensions: 49" L x 23" W
- Backrest angle: 0° flat to 57° incline
- Capacity of 400 lbs
- Color available: White
- High-quality PU upholstery; ultra-durable material
- Removable face cradle which has two attachable cushions
- Arrives fully assembled
- Heavy-duty facial table/chair
- Four button hand remote
- Removable face-cutout

* All height measurements are from ground to top of cushion *

** All measurements have a 0.25 to 0.75-inch tolerance **

Warranty Information:

- 1-year warranty