

# Solid Massage Table Specifications Sheet



**SKIN+ACT**

Toll Free: 1.800.418.0830	<a href="http://www.skinact.com">www.skinact.com</a> <a href="http://www.spaandequipment.com">www.spaandequipment.com</a>	International: 818.834.6640
---------------------------	--	-----------------------------

## NOTICE

No part of this document may be photocopied, reproduced, or translated into any other language without prior written consent of Spa and Equipment/SkinAct.

The information in this document is subject to change without notice at any time and should not be construed as a commitment by Spa and Equipment/SkinAct.

Spa and Equipment/SkinAct assumes no responsibility for any errors that may be in this document, nor does it make expressed or implied warranty with regard to this material, including, but not limited to, the implied warranties of merchantability and fitness for a particular purpose.

Spa and Equipment/SkinAct shall not be liable for incidental or consequential damages arising out of the furnishing, performance, or use of this document and the program material which it describes.

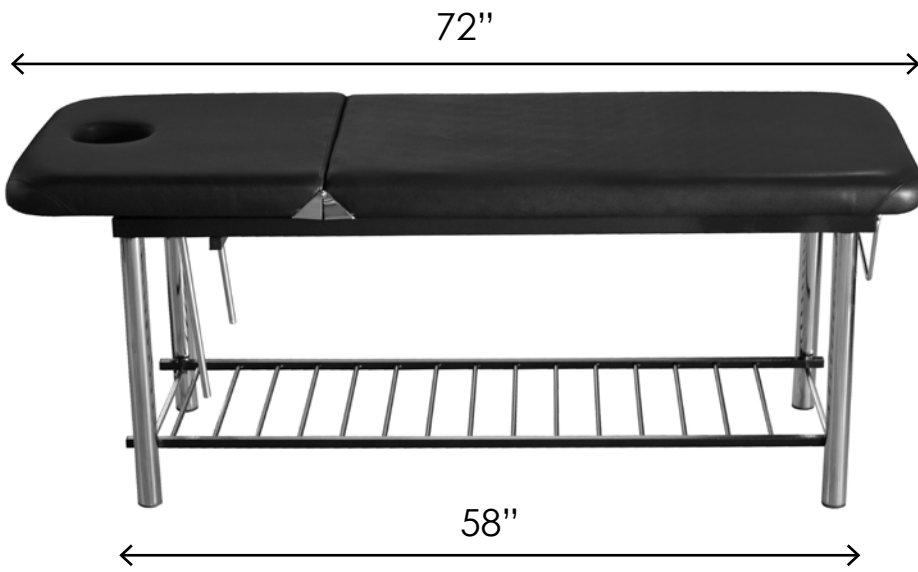
# SKIN+ACT

Toll Free: 1.800.418.0830

[www.skinact.com](http://www.skinact.com)  
[www.spaandequipment.com](http://www.spaandequipment.com)

International: 818.834.6640

# Measurements



# Measurements





## Optional Plastic Foot Cover



# Highlights

## **Movements:**

- Manual backrest angle adjustment
- Fixed height

## **Dimensions/Specifications:**

- Length: 72"
- Width: 24.5"
- Height: 29"
- Base dimensions (BASE ONLY): 58" x 21"
- Backrest angle: 0° flat to 75°
- Weight: 119 lbs
- Capacity: 600 lbs
- Cushion thickness: 3"
- Colors available: Black or White
- Heavy-duty solid metal structure
- Upholstered in vinyl
- Plush cushioning
- Removable pillow
- Breather hole for when clients are face down
- Storage rack underneath bed
- Table paper holder included

\* All height measurements are from ground to top of cushion \*

\*\* All measurements have a 0.25 to 0.75 inch tolerance \*\*

## **Warranty Information:**

- 2-year warranty on metal frame