

Porschea Ealectric Shampoo Chair (SKU16470)



SKIN+ACT

Toll Free: 1.800.418.0830

www.skinact.com
www.spaandequipment.com

International: 818.834.6640

NOTICE

No part of this document may be photocopied, reproduced, or translated into any other language without prior written consent of Spa and Equipment/SkinAct.

The information in this document is subject to change without notice at any time and should not be construed as a commitment by Spa and Equipment/SkinAct.

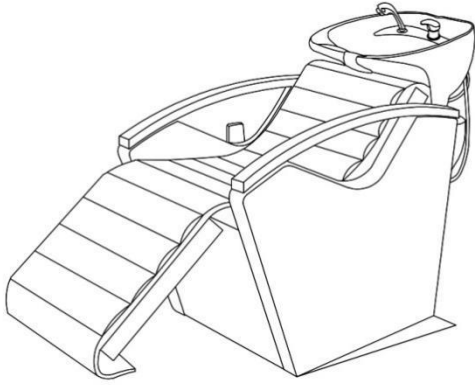
Spa and Equipment/SkinAct assumes no responsibility for any errors that may be in this document, nor does it make expressed or implied warranty with regard to this material, including, but not limited to, the implied warranties of merchantability and fitness for a particular purpose.



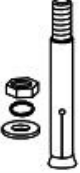

Spa and Equipment/SkinAct shall not be liable for incidental or consequential damages arising out of the furnishing, performance, or use of this document and the program material which it describes.

SKIN+ACT

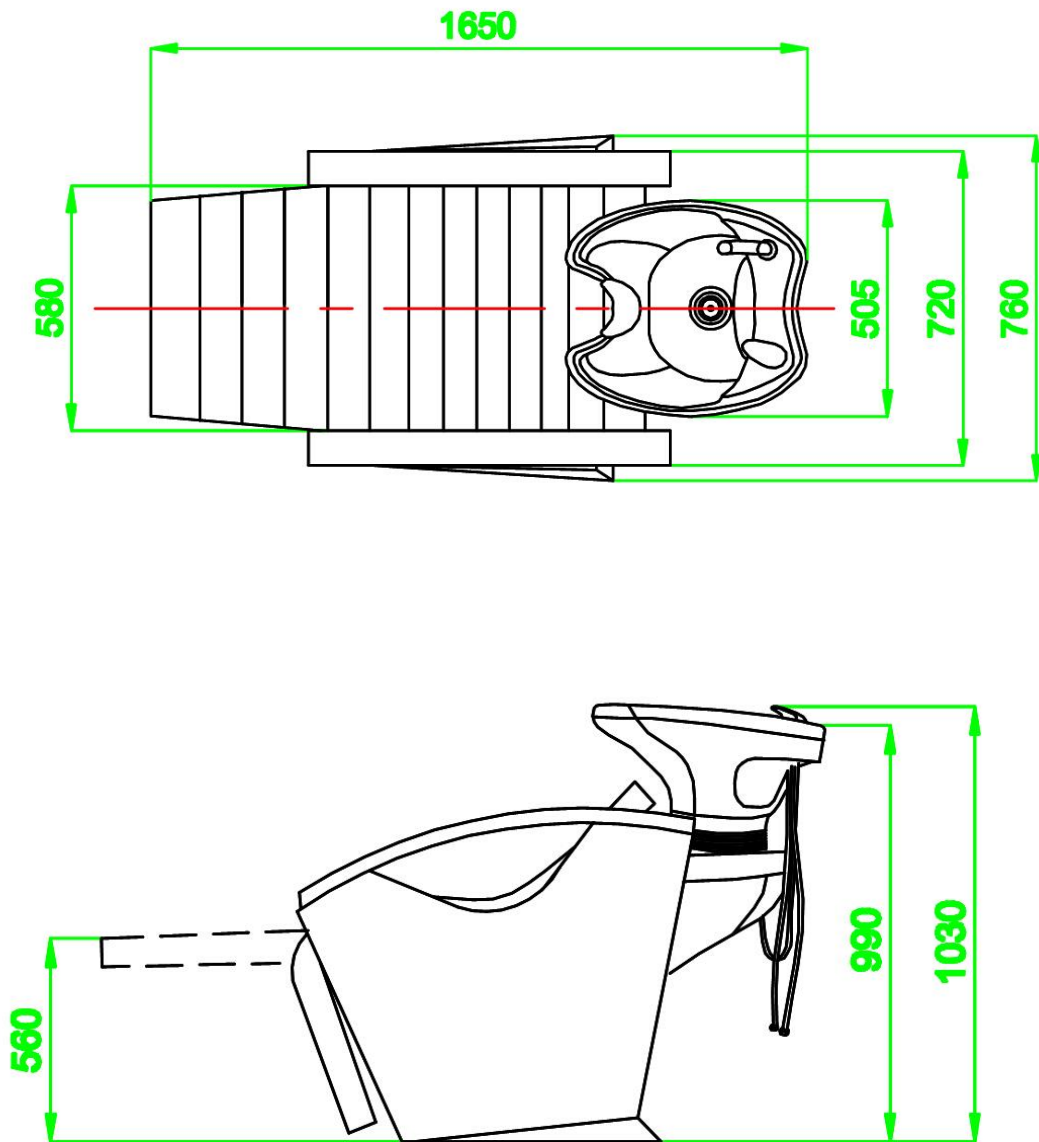
Toll Free: 1.800.418.0830	www.skinact.com www.spaandequipment.com	International: 818.834.6640
---------------------------	--	-----------------------------

Component Diagram



<p>1</p> 	<p>2</p> 	<p>3</p> 	<p>4</p> 
<p>Qty: 1 pc</p>	<p>Qty: 1 pc</p>	<p>Qty: 1 pc</p>	<p>Qty: 1 pc</p>
<p>Remote</p>	<p>Rubber pad</p>	<p>Expansion screw</p>	<p>Faucet switch</p>

Specifications



Lifting capacity: 150 kg

Net weight: 90 kg

Height: 103 cm

Width: 76 cm

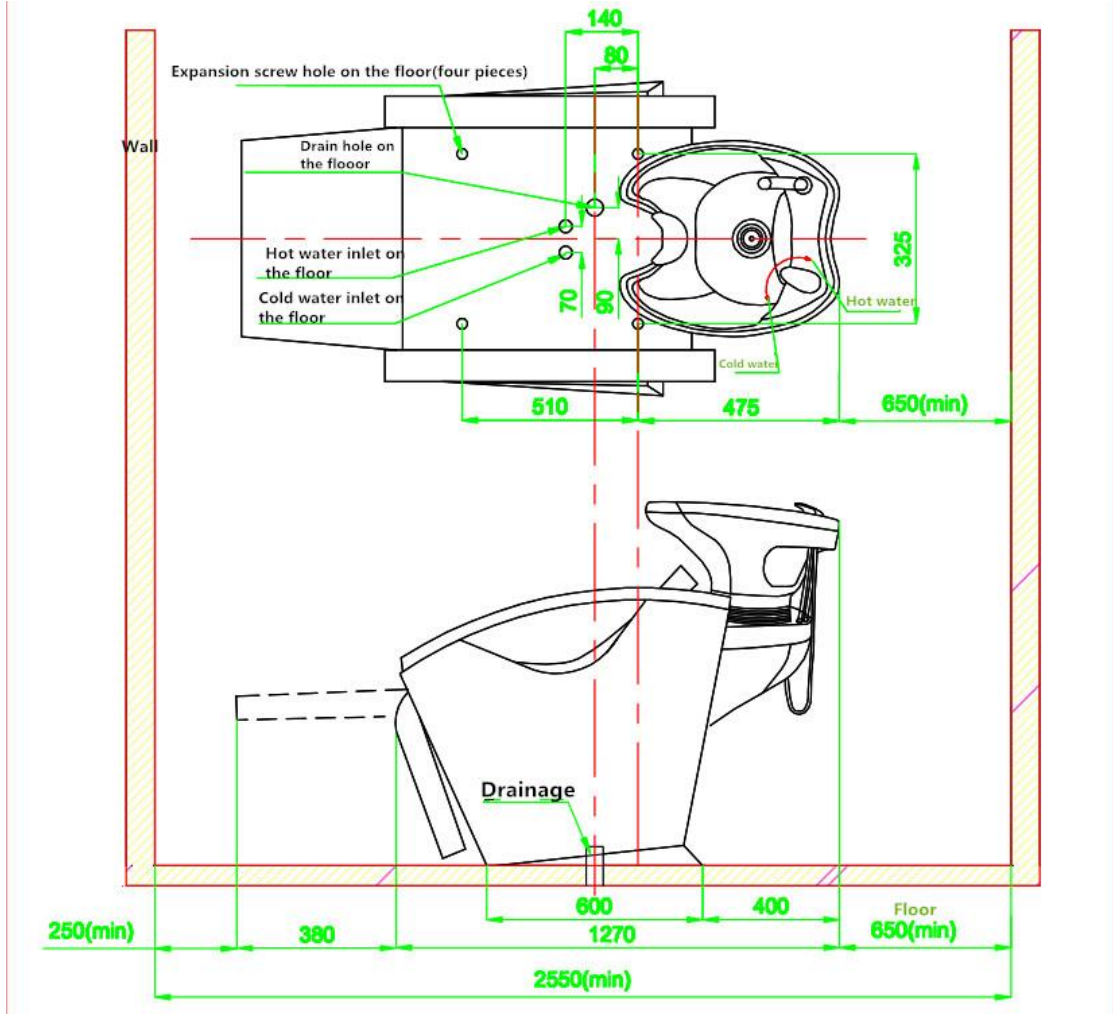
Length: 165 cm

Padding: 6 cm foam

Upholstery: PU / PVC

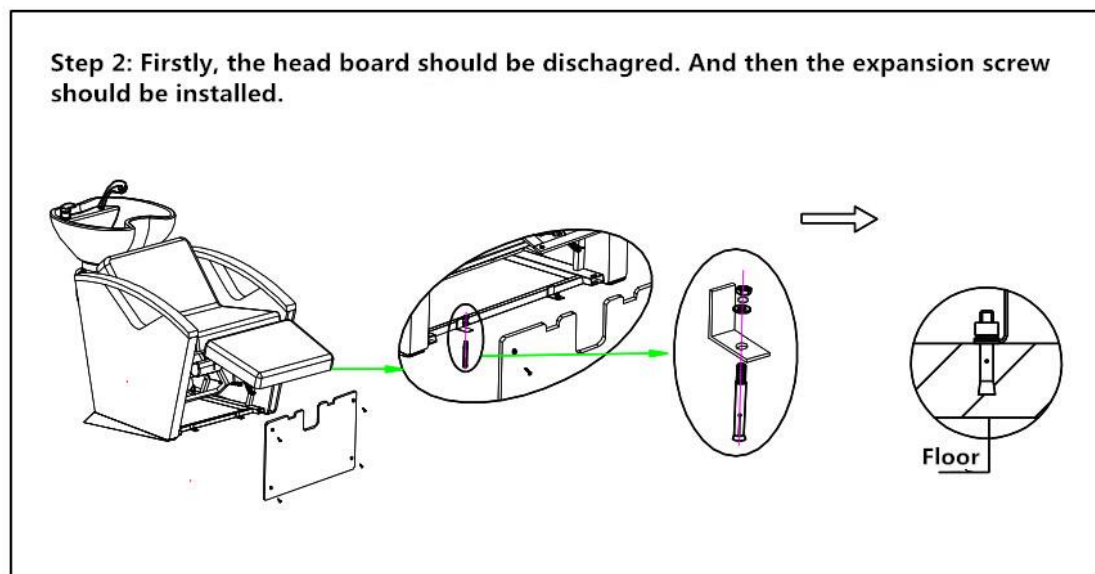
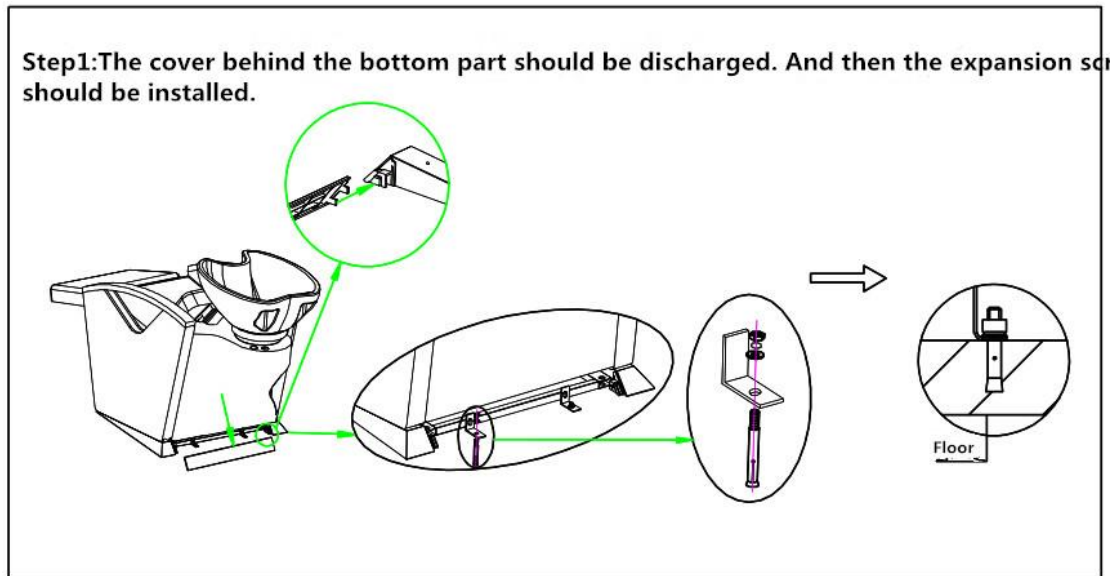
Option: 76 cm (width)

Installation and Setup



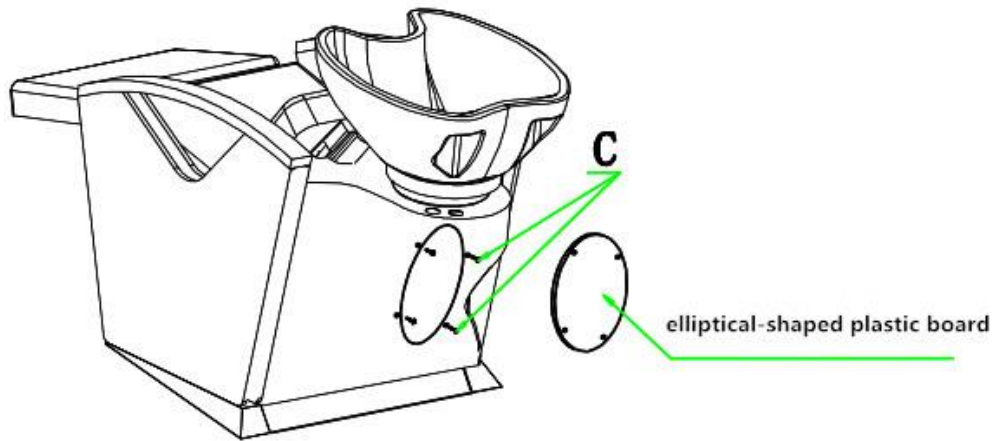
Installing the expansion screws

There are mounting holes on the base of the chair for the expansion screws. Align the chair and secure it using the supplied expansion screws.

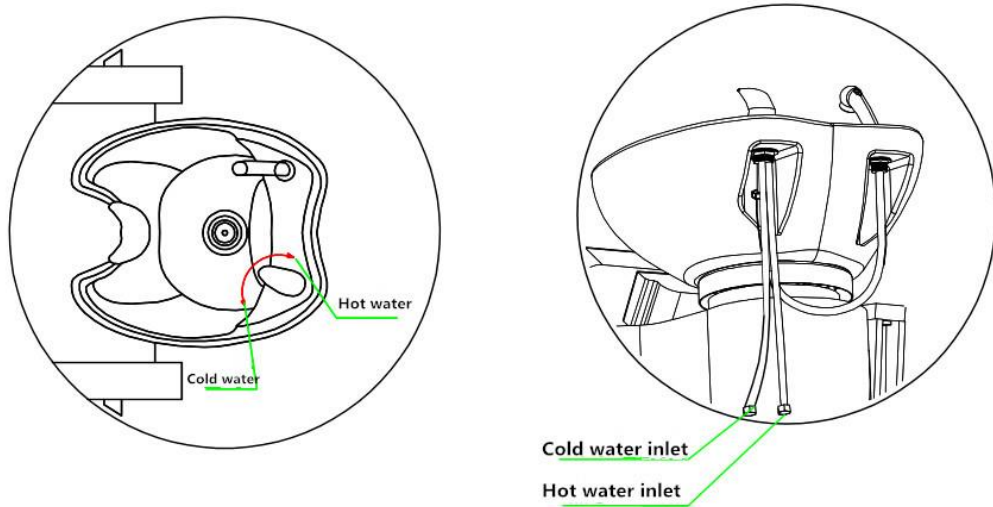


Installing the water hoses

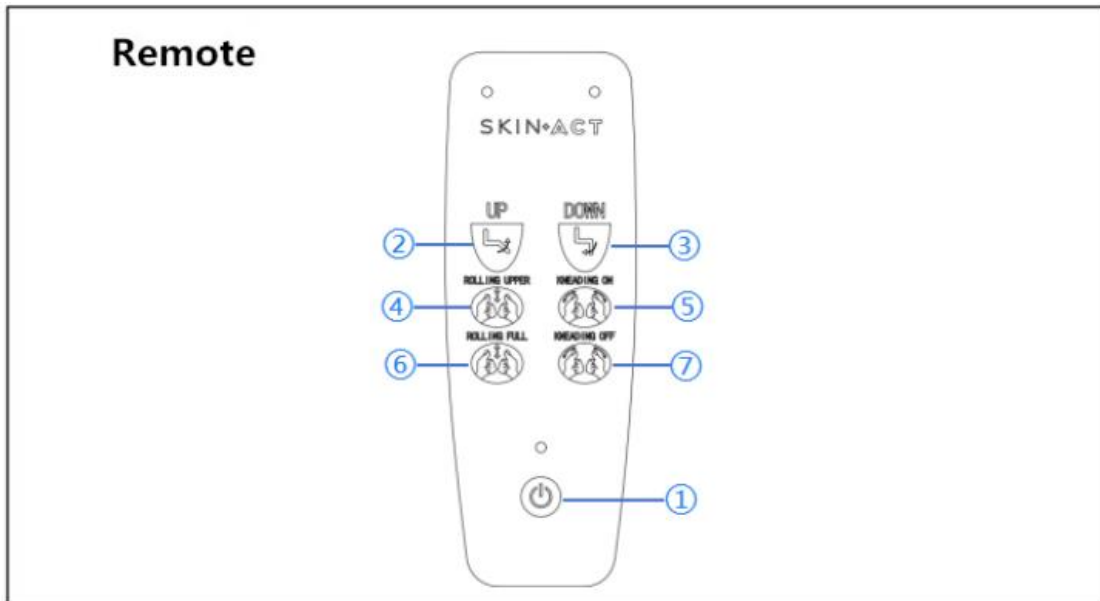
- (1) Remove the four tapping screws (C) from the rear cover of the chair. Then remove the oval plastic cover and connect the hot-water and cold-water hoses.



- (2) Connect the two hoses to the hot- and cold-water inlets. Use the switch to select hot or cold water as needed.



Remote Control Instructions



(1) Power

Press the Power button to turn the chair on or off. The indicator light will turn on/off accordingly.

Footrest adjustment (Buttons 2 and 3)

Press the Up or Down button to raise or lower the footrest.

Upper-back rolling massage (Button 4)

Press Button 4 to activate the rolling massage on the upper half of the backrest.

Kneading massage (Button 5)

Press Button 5 to start the kneading massage.

Full-back rolling massage (Button 6)

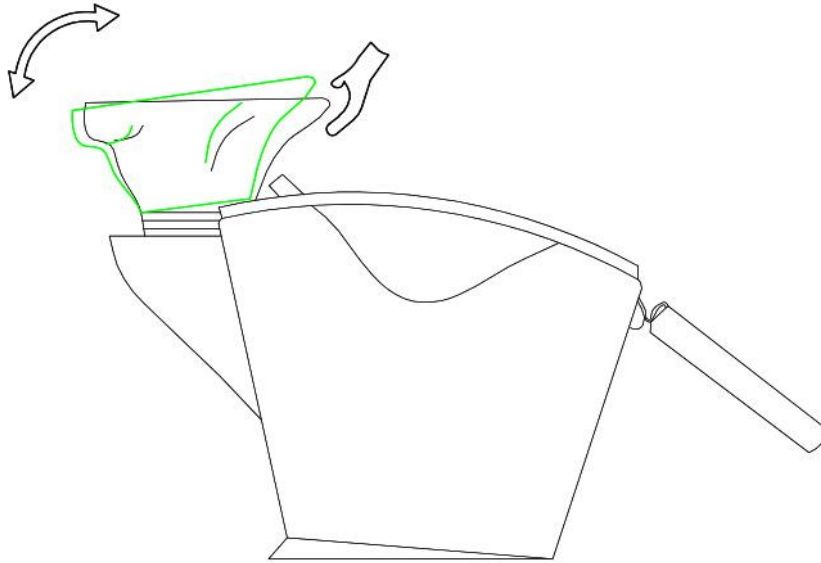
Press Button 6 to activate rolling massage along the full backrest.

Stop kneading (Button 7)

Press Button 7 to turn off the kneading massage.

Basin Adjustment

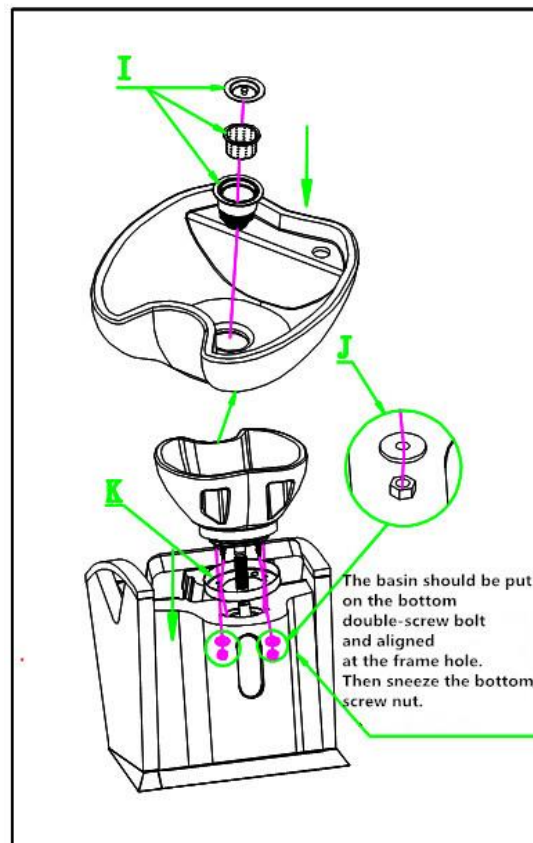
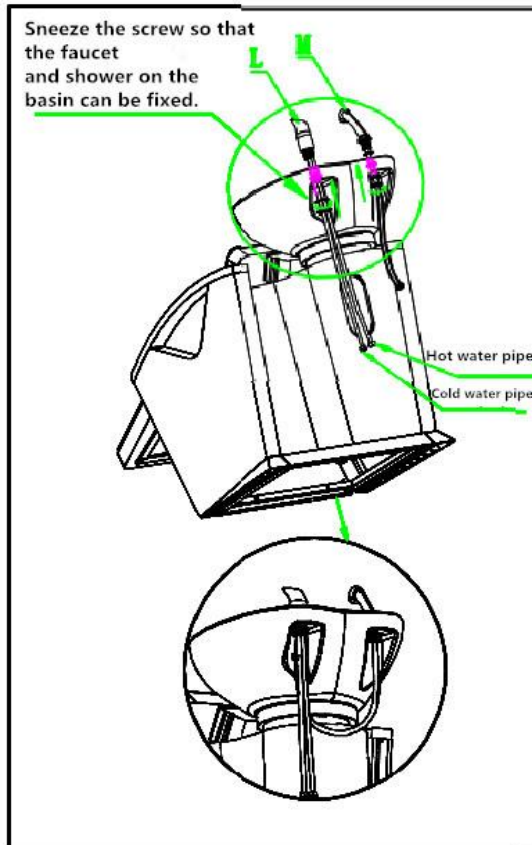
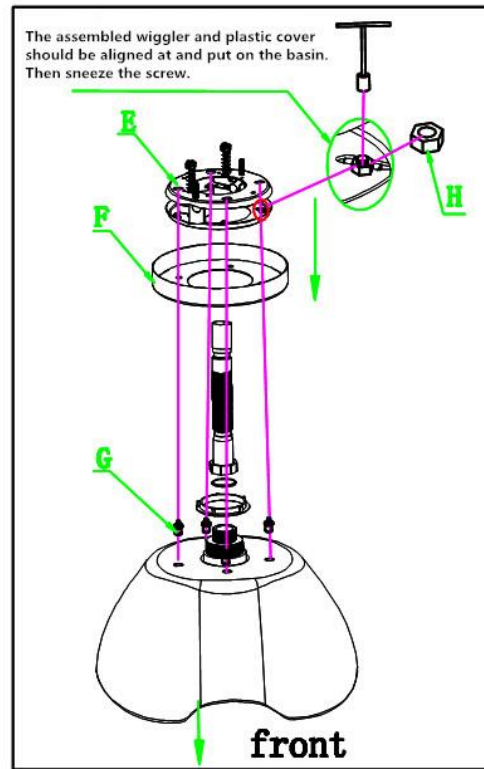
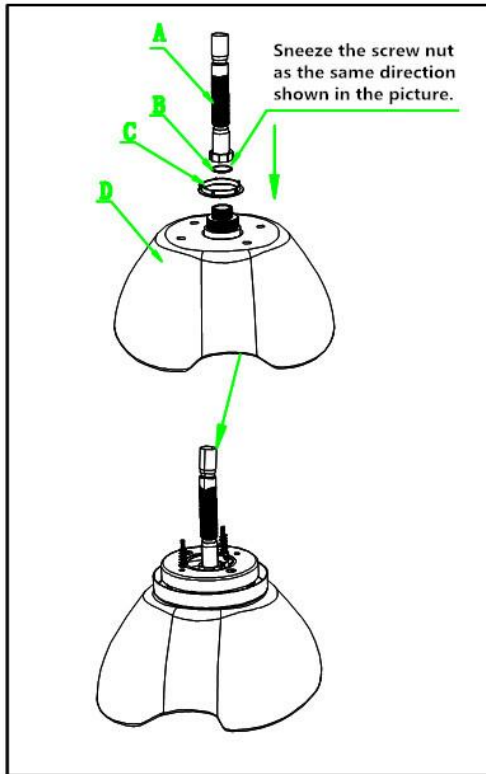
Adjust the basin angle to comfortably fit users of different heights.
















Safety Precautions

1. Do not use the massage function if you have osteoporosis or a heart condition. Consult a doctor if you are unsure.
2. Do not use the massage function if you are pregnant. If you are menstruating, use the massage function only if you feel comfortable.
3. Do not use the chair if you are injured or have a disability without professional guidance.
4. Do not allow children under 14 to use the chair without supervision. Do not use the chair if you are unconscious or unable to operate it safely.
5. If the power cord or plug is damaged, stop using the product and have it repaired or replaced by qualified service personnel before use.
6. Ensure the voltage matches the product specifications. Using the wrong voltage may damage the product.
7. Do not touch the power cord or plug with wet hands to avoid electric shock.
8. Do not plug in the product until installation is complete.
9. Route the power cable safely to prevent tripping hazards.
10. Clean the exterior with a soft cloth and diluted neutral detergent.
11. Unplug the product when it is not in use.
12. Do not disassemble the product without authorization. Contact an authorized service provider for maintenance and repairs.

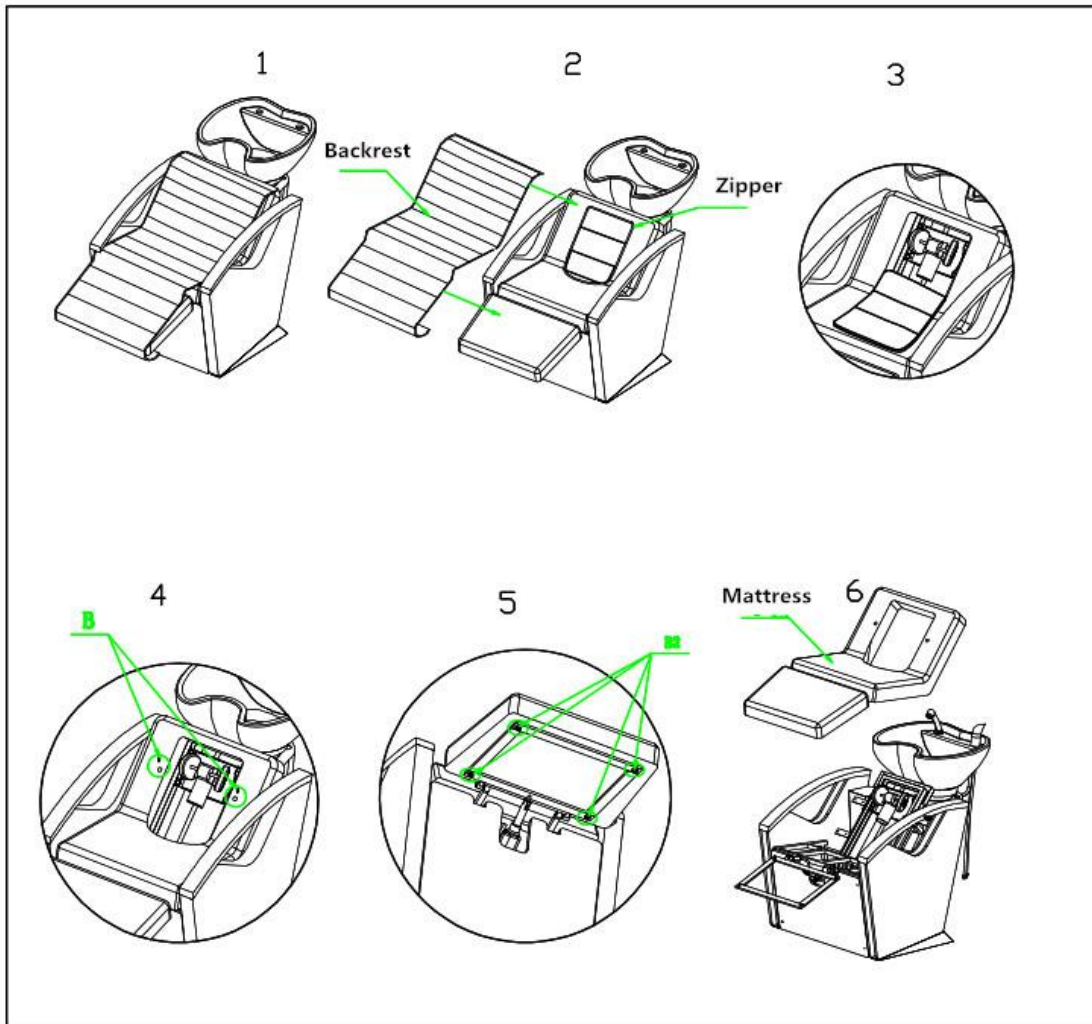
Maintenance and Diasassembly



A. Decoder base	B. Rubber ring	C. Plastic nut	D. Basin	E. Metal collar	F. Plastic cover	G. Rubber strip	H. Nut	I. Water screen	J. Nut & Gasket	K. Plastic cover	L. Pinset	M. Hose
1 PCS	1 PCS	1 PCS	1 PCS	1 PCS	1 PCS	4 PCS	4 PCS M0.24	1 PCS	1 PCS M0.31	1 PCS	1 PCS	1 PCS
												

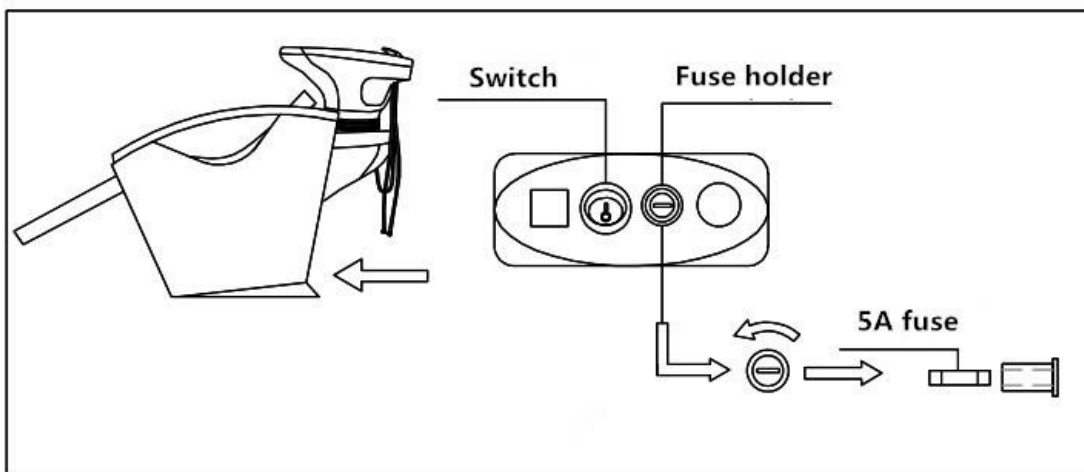
Component Disassembly

Remove the mattress cover first (2). You will see two circular holes in the foam. Remove the four tapping screws in the holes (B), then remove the four tapping screws (5) at the bottom of the footrest. The mattress can then be removed. Note: Remove the mattress before replacing the motor-driven pump, transformer, or massage mechanism.



Fuse Replacement

Use a flat-head screwdriver to open the fuse holder, then replace the fuse.



Maintanace

1. **Daily cleaning**

Wipe dust off using a soft, dry cloth.

2. **Removing heavy dirt**

If dry wiping is not enough, clean the surface with a soft cloth dampened with diluted neutral detergent. Then wipe again with a dry cloth.

3. Do not use benzene, thinner, gasoline, or other solvents.

These solvents may damage the upholstery and corrode the product's surface.

4. **Storage and operating environment**

Do not place the product in direct sunlight or in damp environments, as this may damage the product.

5. Operating conditions: -5°C to 50°C, humidity 45% to 85%.