

Madison Electric Spa Facial Treatment Chair/Table

User Manual



SKIN+ACT

skinact.com | spaandequipment.com

Toll Free: 1.800.418.0830

Safety and Operating Instructions

To ensure safe and proper operation of this electric beauty bed, please read the following instructions carefully and retain this manual for future reference.

- Proper Setup and Grounding:
- This electric beauty bed requires a three-wire power cable and must be connected to a grounded three-prong power outlet. This ensures proper grounding, prevents accidental electric shock, and supports normal operation.
- Avoid Water Exposure:
- All plugs, buttons, and connecting cables must not come into contact with water or any other liquids during use.
- Inspect for Damage:
- Immediately discontinue use of the bed if any plugs, buttons, or connecting cables are damaged.
- Usage Frequency:
- The electric push rod of the beauty bed should only be operated for up to 6 minutes per hour.
- Professional Repairs Only:
- Repairs and maintenance must be conducted exclusively by trained and qualified professionals.

Precautions

To ensure safe and effective use of this product, please carefully adhere to the following precautions:

1. Health Restrictions:

- This product should not be used by individuals with osteoporosis or heart conditions.
- Pregnant or menstruating individuals should avoid using this product.
- Those with physical injuries or skin conditions are advised not to use this product.

2. Usage by Minors and Individuals with Impaired Awareness:

- Children under 14 years of age and individuals with impaired consciousness must not use this product without supervision.

3. Inspection Before Use:

- Inspect the power cord and plug for damage before each use. If damage is found, they must be replaced by a qualified operator or technician.

4. Voltage Compliance:

- Confirm that the product is connected to the correct voltage as specified. Incorrect voltage can result in product damage.

5. Electrical Safety:

- Do not handle the power plug with wet hands to prevent electric shock.
- Ensure the product is installed before powering it on.

5. Electrical Safety:

- Do not handle the power plug with wet hands to prevent electric shock.
- Ensure the product is installed before powering it on.

6. Cord Placement:

- Arrange the power cord securely to avoid tripping hazards.

7. Cleaning:

- Clean the product's surface with a soft towel dampened with diluted neutral detergent.

8. Unplugging When Not in Use:

- Always unplug the product when it is not in use.

9. Repair and Maintenance:

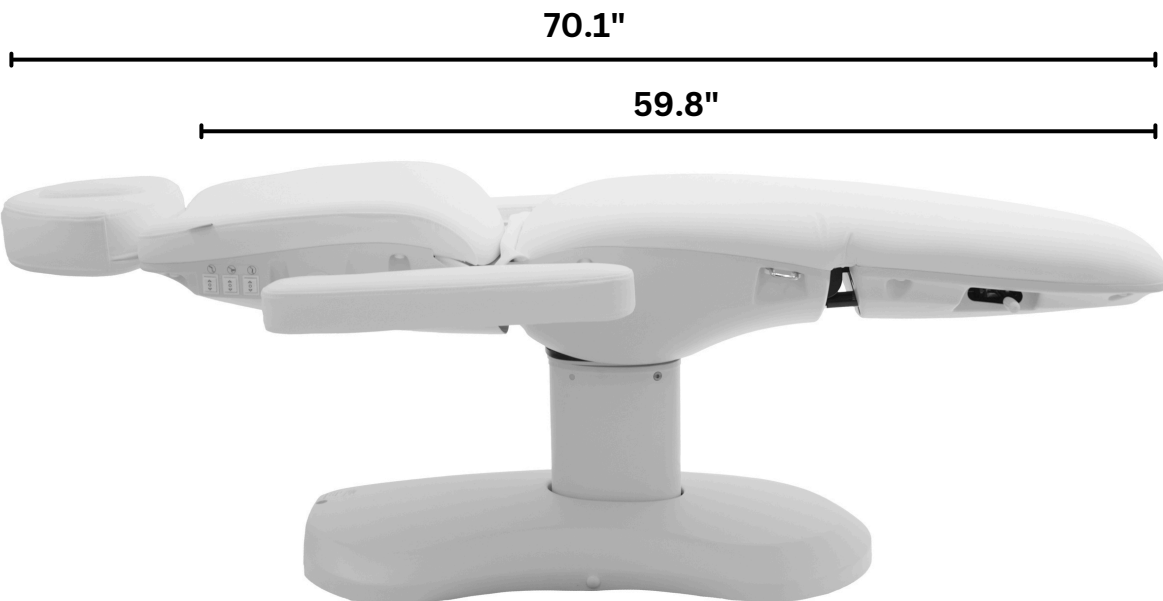
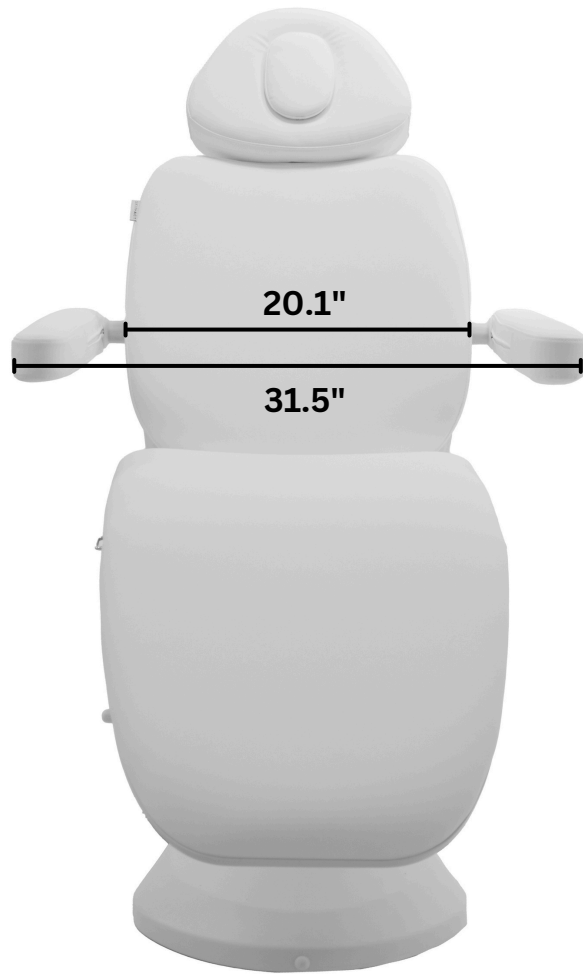
- Disassembly or assembly by unauthorized individuals is strictly prohibited.

For repairs and maintenance, contact the designated local service operator. Following these precautions will help ensure user safety and prolong the lifespan of the product.

Specification



Specification



Specification



Highlights

Movements

- Electric Backrest Adjustment
- Electric Height Adjustment
- Electric Tilt Seat Adjustment
- Manual Leg Rest Adjustment
- Removable headrests and removable armrests

Specifications

- Length with headrest on: 70.1"
- Length without headrest on: 59.8"
- Width with armrests on: 31.5"
- Width without armrests on: 20.1"
- Height: 32.3" - 25.6"
- Seat Tilt Angle: 20 Degrees
- Capacity: 440 lbs
- Colors available: White, Vanilla Mocha, Taupe, Smoke Gray and Hazelnut
- Arrives fully assembled
- Premium firm 2-layer memory foam upholstered with easy care and long-lasting leatherette
- Super-fiber PU upholstery; ultra-durable material with a 10-year lifespan
- Power: 50-60 Hz, 200 W, 2 amp | Voltage: 100-120 V

* All height measurements are from the ground to the top of the cushion * ** All measurements have a 0.25 to 0.75 inch tolerance **

Warranty

- This item has a 1-year limited warranty for malfunctions and manufacture defects only (parts, labor, and shipping not included).

THIS WARRANTY IS VOID IN THE EVENT EQUIPMENT IS DAMAGED BY IMPROPER USE

Maintenance

- When cleaning and sanitizing, do not use bleach, Barbicide, or other harsh chemicals. Using harsh chemicals can damage the upholstery.
- Simple Green or upholstery cleaners work great for cleaning the upholstery. We recommend using Lysol Wipes for sanitizing the upholstery.
- Clean and sanitize the upholstery after each treatment.
- Every six months, visually inspect the parts of the unit. If there are any abnormal noises or vibrations during operation, call Spaandequipment/SkinAct and describe the situation.