

Vanguard Electric Barber Chair

User Manual



SKIN+ACT

www.skinact.com | www.spaandequipment.com

Toll Free: 1.800.418.0830

Copyright © 2025 SkinAct, All Rights Reserved

NOTICE

No part of this document may be photocopied, reproduced, or translated into any other language without prior written consent of SkinAct.

The information in this document is subject to change without notice at any time and should not be construed as a commitment by SkinAct. SkinAct assumes no responsibility for any errors that may be in this document, nor does it make expressed or implied warranty with regard to this material, including, but not limited to, the implied warranties of merchantability and fitness for a particular purpose.

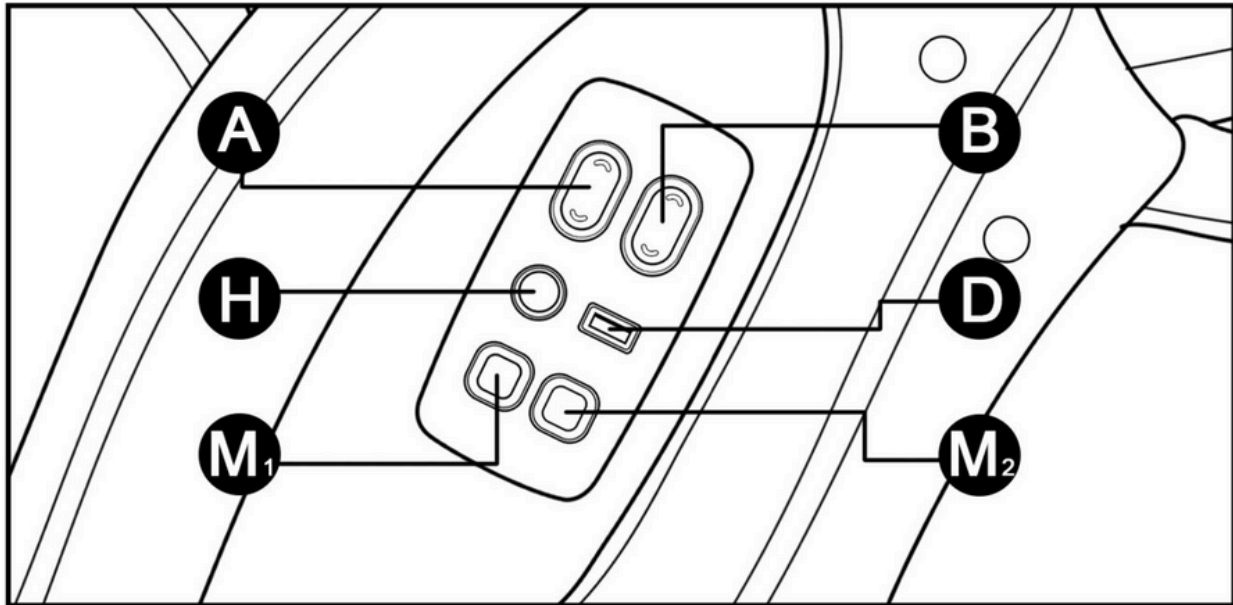
SkinAct shall not be liable for incidental or consequential damages arising out of the furnishing, performance, or use of this document and the program material which it describes.

SKIN+ACT

www.skinact.com | www.spaandequipment.com

Toll Free: 1.800.418.0830

Control Panel



A. OPERATION OF BACKREST

Push the backrest switch of the control panel in the direction of the arrow to recline the backrest. The chair operates while the switch is pressed.

Press the left button to lower the backrest and right button to higher the backrest.

B. OPERATION OF LEGREST

Push the legrest button of the control panel in the direction of the arrow to raise or lower the legrest. When the button is pressed the chair will operate.

Also you can press button A&B at the same time to control the backrest&legrest.

H. RESTORATION

Press H, it will be original state automatically

D. SERVICE OUTLET

This chair supports USB charging when you need to charge your phone/hairdresser.

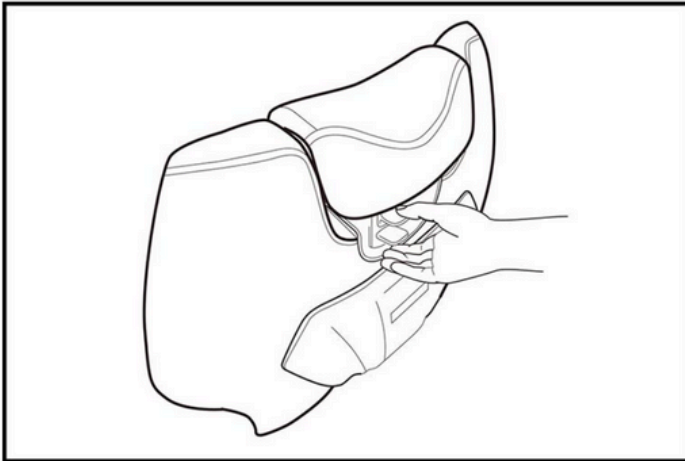
M1. MEMORY ONE LOCATION

Adjust the chair to be your preferred location, Directly press M1 to be Memory 1. Next time, you just press M1, The chair will be preferred location automatically. If clear this location, make new preferred location for cover.

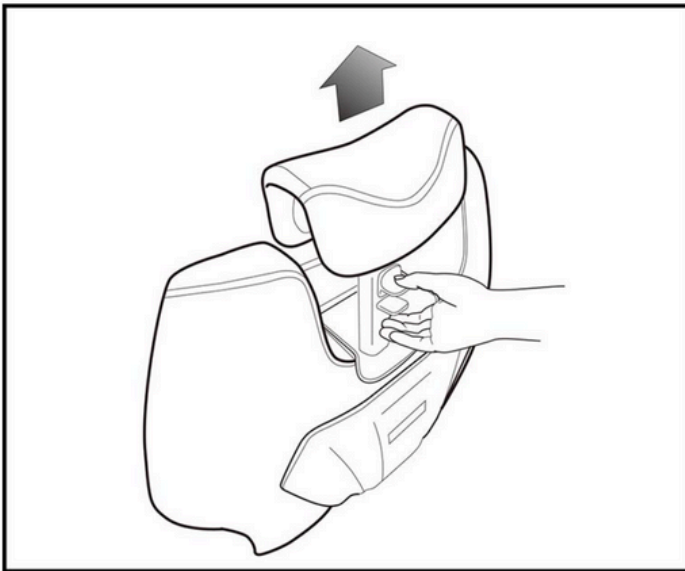
M2. MEMORY ONE LOCATION

Adjust the chair to be your preferred location, Directly press M1 to be Memory 1. Next time, you just press M1, The chair will be preferred location automatically. If clear this location, make new preferred location for cover.

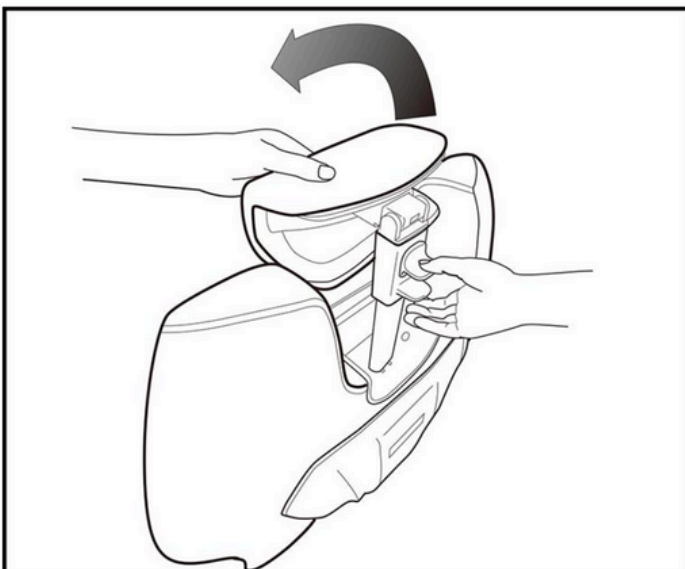
Headrest



pressed the buttons

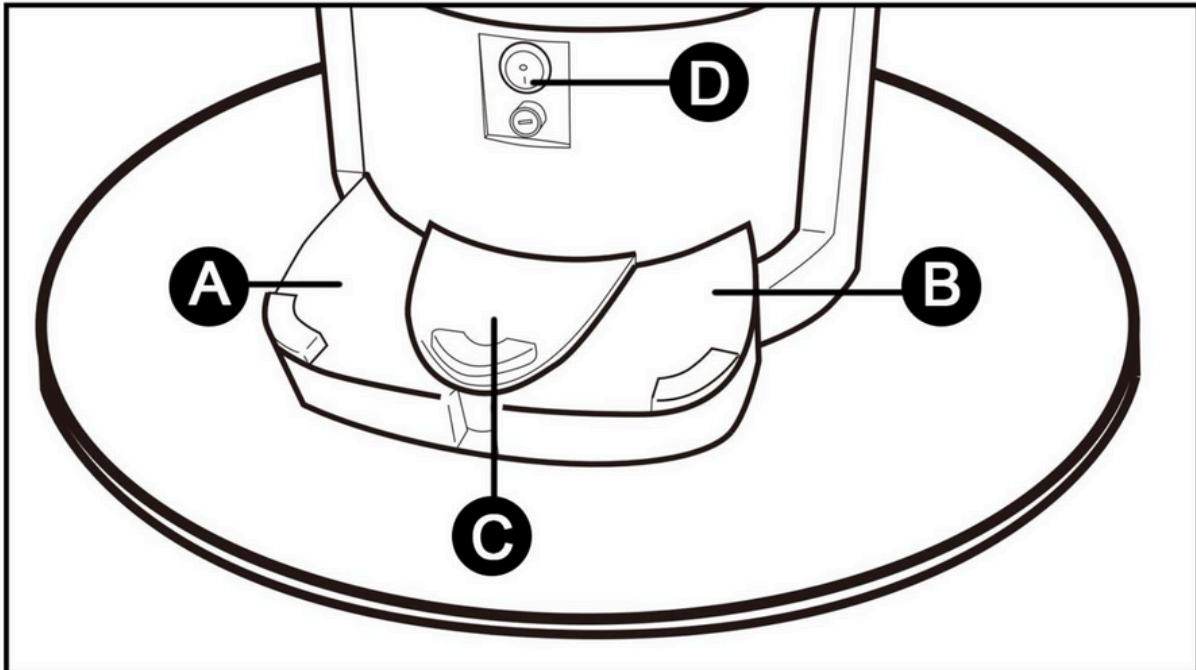


The maximum height of the headrest lift is about 30 cm.



The height of the headrest can be changed through a 90° rotation lift-up mechanism, and the gently curving shape comfortably support the customer's head and neck.

Base/Foot Pedals



- A** Lowering the chair. Press Down foot switch by foot.
- B** Raising the chair. Press Up foot switch by foot.
- C** Release the base rotation lock with the rotation lock switch. Each press of the rotation lock switch alternately locks and releases the base rotation. Press the rotation lock switch by the foot control. Chair rotation is locked by hydraulic system.
- D** Press the switch power supply. Turn on/off power supply.

320 degree large angle, switching the best operating angle. Simple stepping action to easily adjust the seat height. Falling at a constant speed and falling safely.

Dimensions



Dimensions

70° Backrest



70° Leg rest

140° (backrest down - leg rest up)



21.5"-27.5"
(from seat cushion
to floor)



Features

The Vanguard Electric Barber Chair is designed to deliver unmatched comfort, durability, and ease of use. Crafted with high-quality PVC 1.0 synthetic leather and detailed stitching, it offers both elegance and resilience. The high-resilience sponge cushioning ensures superior comfort, enhancing the client's experience while maintaining durability for long-term use.

With fully electric adjustability, this barber chair allows effortless reclining of the backrest and footrest up to 140 degrees, ensuring ultimate relaxation. Its advanced memory function saves preferred positions, while the one-touch reset feature instantly restores the chair to its original position. Unlike traditional hydraulic systems, the Vanguard features an innovative electric pump for smooth and precise height adjustments.

Features

- Premium Build: Upholstered in durable PVC 1.0 synthetic leather with exquisite stitching for a sleek, professional look.
- Superior Comfort: High-resilience sponge cushioning provides optimal support and relaxation.
- Fully Electric Recline: Backrest and footrest adjust up to 140° for a customizable experience.
- Memory & Reset Functions: Save preferred positions and return to default with one touch.
- Charging: USB and Type-C port for electronic charging.
- 320° Rotation Adjustment: Easily change the chair's angle for flexibility during services.
- Electric Pump System: Provides effortless and smooth height adjustments, replacing traditional oil pumps.
- Heavy-Duty Capacity: Supports up to 880 lbs for maximum stability and durability.

Warranty

1-year