

Elemento LED Magnifying Lamp - Touch Control Brightening Adjustment System



SKIN+ACT

Toll Free: 1.800.418.0830

www.skinact.com
www.spaandequipment.com

International: 818.834.6640

NOTICE

No part of this document may be photocopied, reproduced, or translated into any other language without prior written consent of Spa and Equipment/SkinAct.

The information in this document is subject to change without notice at any time and should not be construed as a commitment by Spa and Equipment/SkinAct.

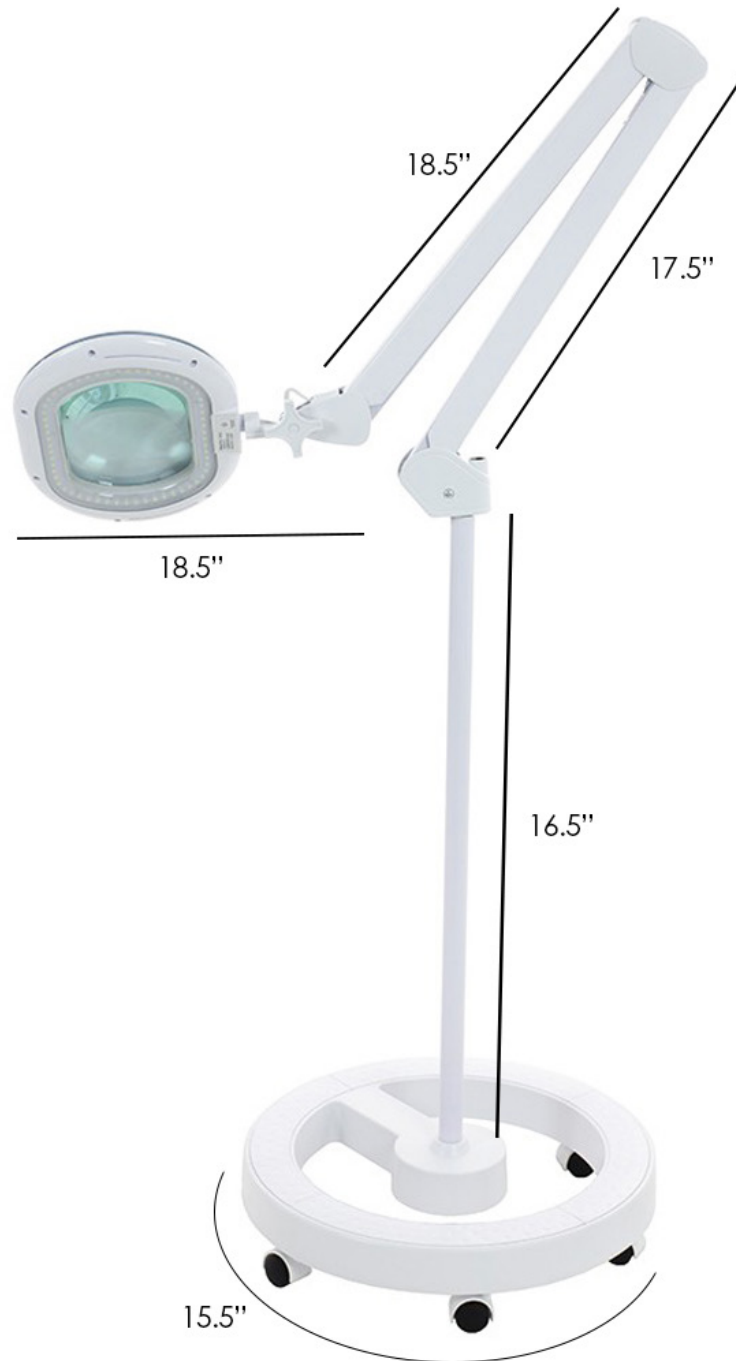
Spa and Equipment/SkinAct assumes no responsibility for any errors that may be in this document, nor does it make expressed or implied warranty with regard to this material, including, but not limited to, the implied warranties of merchantability and fitness for a particular purpose.

Spa and Equipment/SkinAct shall not be liable for incidental or consequential damages arising out of the furnishing, performance, or use of this document and the program material which it describes.

SKIN+ACT

Toll Free: 1.800.418.0830	www.skinact.com www.spaandequipment.com	International: 818.834.6640
---------------------------	------------------------------------------------------------------------------------------------------------------------------	-----------------------------

Measurements



Highlights

(5X) Five Diopter Magnification Elemento LED Magnifying Lamp - Touch Control Brightening Adjustment System

Features:

- ETL Certified - International Compliance for Safety Standards
- FLEXIBLE HEIGHT, ROLLING BASE: Easily move this floor stand lamp from room to room. Six wheels on the base give your light greater mobility. Our premium base features an open circle design and rolls beautifully on every surface: carpets, hardwoods, tiles. An adjustable neck pivots in any direction. Dimensions: 79 x 41 x 110 cm. Base diameter-15 inches. Height of base-3 1/2 inches
- SAVES POWER, NEVER OVERHEATS: Energy-efficient LED light uses only 9 watts in total; stays cool even after several hours of use, never generates heat or the glare of incandescent bulbs. Burns brightly with 800 lumens; intended for 110V outlets.

Shipping Dimensions:

Quantity: 1

Package A: 34" x 7" x 13" (L x W x H)

Weight: 30 lbs

Dimensions of Lens:

5.5"L x 4"W

Material of Lens:

Glass