

Hydraulic Spa Treatment Table 90° Full Sitting Position User Manual



SKIN+ACT

Toll Free: 1.800.418.0830

www.skinact.com
www.spaandequipment.com

International: 818.834.6640

NOTICE

No part of this document may be photocopied, reproduced, or translated into any other language without prior written consent of Spa and Equipment/SkinAct.

The information in this document is subject to change without notice at any time and should not be construed as a commitment by Spa and Equipment/SkinAct.

Spa and Equipment/SkinAct assumes no responsibility for any errors that may be in this document, nor does it make expressed or implied warranty with regard to this material, including, but not limited to, the implied warranties of merchantability and fitness for a particular purpose.

Spa and Equipment/SkinAct shall not be liable for incidental or consequential damages arising out of the furnishing, performance, or use of this document and the program material which it describes.

SKIN+ACT

Toll Free: 1.800.418.0830	www.skinact.com www.spaandequipment.com	International: 818.834.6640
---------------------------	--	-----------------------------

Precautions

- Read this manual carefully before installation and operation.
- No one should ever sit on the back rest or foot rest sections.
- This unit should only be operated by trained professionals.
- Keep children from using or playing on the unit.
- Do not stand on any portion of the unit.
- Ensure the unit is kept dry and free of water.
- When operating the unit, ensure that your and your clients' hands or other body parts cannot be pinched by the moving parts (see pinch points below).
- If you have gone through the troubleshooting steps in this manual and an issue persists, please call Spaandequipment/SkinAct for further assistance: 1(800)418-0830
- **OPERATE AT YOUR OWN RISK AND USE COMMON SENSE: OWNER/OPERATOR IS RESPONSIBLE FOR HIS/HER OWN SAFETY AS WELL AS ANYONE NEAR OR ON THE UNIT.**



Removing From The Box

- To see a video about removing your item from the box, visit <https://youtu.be/OGIz0NLdW1I> or scan the QR code below.



Scan to see
video

INSTRUCTIONS

- When you receive the box, carefully cut the tape on the top flaps and open the top (see photo below).



- Then you can cut one short side of the box and lay it down. This makes it easier to carry the item out of the box.
- **Make sure to cut from the inside of the box.** This helps to protect from accidentally cutting your unit.



Removing From The Box

- **Please keep all packaging materials.** This helps in the event that you need to return the unit for whatever reason.
- **TEAM LIFT:** Make sure to have at least two people to lift and move the unit.
- Do not lift from the head rest or foot rest areas.
- For this unit, it is best to lift with both hands on the metal base directly underneath the seat cushion.



- Lift the unit with your partner and walk it out of the box.
- We recommend setting the unit on a furniture dolly or pallet jack when and where it is practical to use one. Otherwise, you can carry the unit to your desired location.



Installation/Assembly

- To see an assembly video for this unit, please visit https://youtu.be/2P6PTDwT_y0 or scan the QR code below.



Scan to see
video

INSTRUCTIONS

- Please hold on to all original packaging at least until you have tested all of the functions of the unit.
- Locate the rods on the back of the backrest.



- Remove the screw at the end of each rod.



- Insert the rods into the holes on the bracket under the rods.



Installation/Assembly

- Replace the screw at the end of each backrest rod.



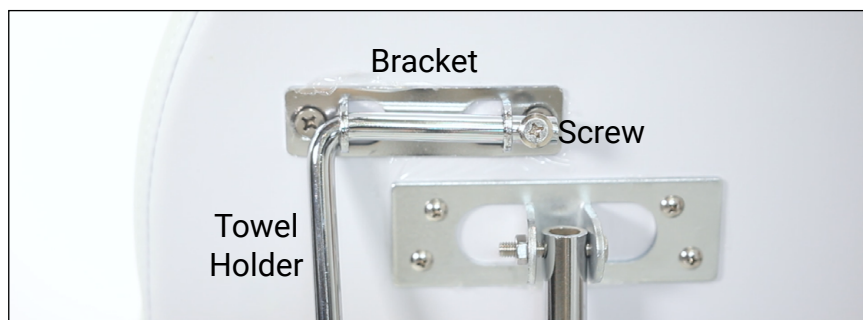
- The process is the same for connecting the foot rest.
- Remove the screw at the end of each rod.



- Insert the rods into the holes on their bracket.



- Replace the screw at the end of each foot rest rod.
- Next you can attach the metal towel holder on the back of the backrest. Simply remove the single screw, slide the holder into the bracket, and reattach the screw.



Installation/Assembly

- Then you can put the arm rests into their places. Simply insert the rods of the arm rests into the holes and push until they are seated.



- Finally you can put the complementary pillow into its place.



Leveling The Base

- All of our hydraulic chairs come with leveling feet on the bottom of the base. These are super useful when the floor below is slightly uneven.
- This chair has four leveling feet, one at each corner of the base.
- If the base of your chair rocks back and forth, adjust the leveling feet by spinning them to raise or lower them. The foot that clears the floor when you rock the table is the one that will need adjustment.



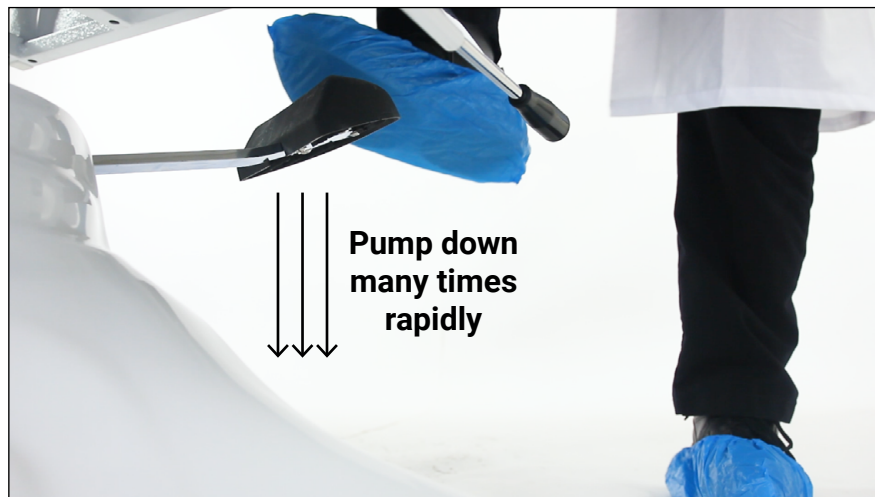
Adjusting The Backrest and Foot Rest

- **NOTE:** When adjusting the backrest or foot rest, always keep a hand on the backrest or foot rest to avoid abrupt movements.
- When the **backrest** is upright like in the photo below, to bring the backrest down, lift up on the bracket and bring the backrest to the desired angle. Once the angle is reached, let go of the bracket and it will hold the backrest in place.
- When the **backrest** is down, pull the backrest itself up until you reach the desired angle. When you reach the desired angle you can stop lifting and the bracket will hold the backrest in place.
- When the **foot rest** is down like in the photo below, to bring it up, pull on the foot rest until it reaches the desired angle. Then stop lifting and the bracket will keep it in place.
- When the **foot rest** is up, to lower it, lift it slightly to disengage the bracket, then pull the bracket towards you and lower the foot rest until it reaches the desired angle. Then let go of the bracket and let it lock the foot rest in place.



Adjusting The Chair Height

- All our hydraulic units come with a foot pump for raising and lowering the chair.
- To raise the chair simply pump the foot pedal down multiple times rapidly until the chair is at its desired height.



- To lower the unit, push the pedal all the way down and hold it down. The chair will lower and you can take your foot off the pedal when it reaches the height you desire or when it reaches its lowest height.



Courtesy Stopper

- All our hydraulic units have a “courtesy stopper.” The stopper helps to stop the chair from quickly spinning accidentally. It does not lock the rotation but it does make it harder to spin.
- To engage the courtesy stopper, simply lift the foot pedal up towards the ceiling with your foot until it does not go higher.



Getting On and Off

- The backrest should be up and the foot rest should be down.
- Have the courtesy stopper up when a client gets on or off.
- Also, we recommend removing one of the arms so that it is easier to get on and off the seat cushion.
- Keep a hand on the back rest when they get on or off.



Safe Use

- Once a client is on, we recommend keeping the courtesy stopper up whenever the chair does not need to rotate.
- For the most stability, keep the top portion of the chair in line with the base.

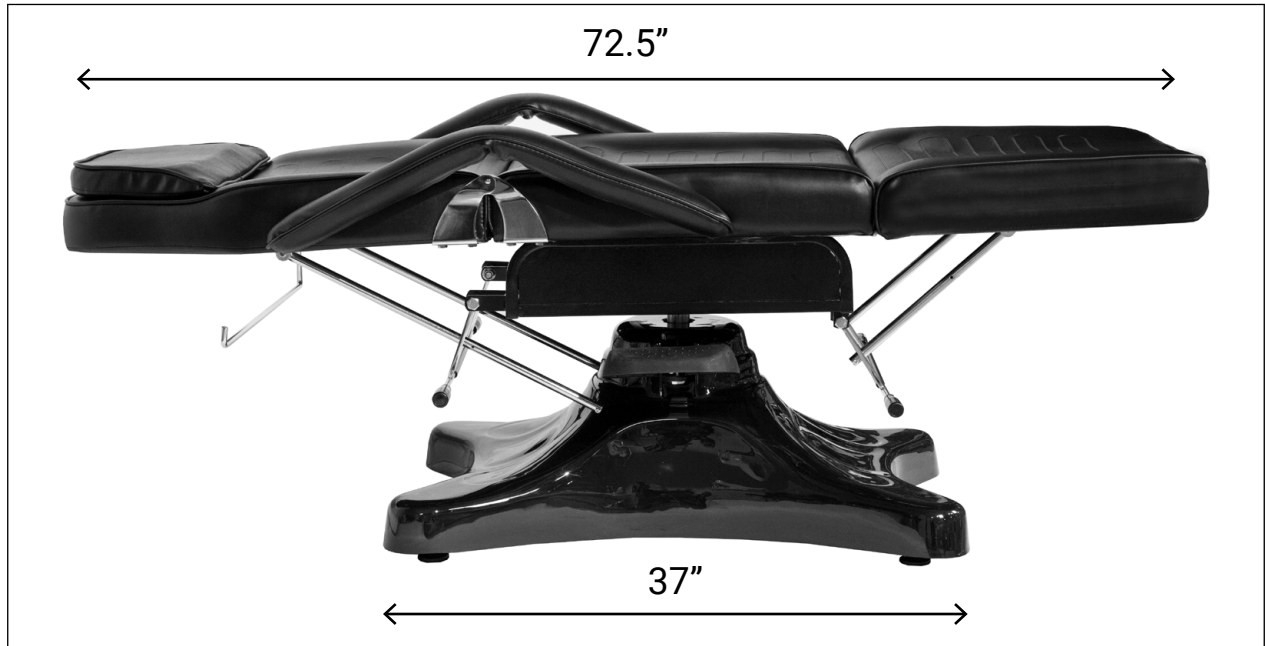


- If you need to rotate the chair with the client on, bring the backrest up and the foot rest down. Make sure to rotate slowly with both hands on the head portion of the backrest.
- **NOTE: Do not rotate the bed from the middle seat section. Rotating from there can make the chair rotate too quickly.**
- If you have to rotate the chair when it is in the flat position, you must hold the headrest from underneath as you are rotating until the top portion of the chair is in line with the base again.
- Hydraulic chairs are not designed for massage.
- To see a video about using your chair safely, you can visit <https://youtu.be/ksHLHSCsC50> or scan the QR code below.



Scan to see
video

Measurements



Measurements



Dimensions/Specifications

- Length: 72.5"
- Width without arm rests: 25"
- Width with arm rests: 32.5"
- Heights: 24.5" - 31.5"
- Base dimensions (BASE ONLY): 37" x 24"
- Backrest angle: 0° flat to 90° incline
- Leg rest angle: 0° flat to 85° decline
- Weight: 140 lbs
- Capacity of 300 lbs
- Cushion thickness: 4"
- Colors available: White or Black
- Unit arrives fully assembled
- Comes with a FREE beauty stool in matching color
- Snazzy fiberglass hydraulic pump cover
- Rotates 360° (Only when the chair is raised to the highest setting)

* All heights measured from ground to top of seat cushion *

** All measurements have a 0.25 to 0.75 inch tolerance **

Maintenance

- When cleaning and sanitizing, **do not use bleach, Barbicide, or other harsh chemicals**. Using harsh chemicals can damage the upholstery.
- Simple Green or upholstery cleaners work great for cleaning the upholstery. Lysol wipes work well for sanitizing the upholstery.
- Clean and sanitize the upholstery after each treatment.
- Every six months, visually inspect the parts of the unit. If there are any abnormal noises or vibrations during operation, call Spaandequipment/SkinAct and describe the situation.

Troubleshooting

Issue	Possible Reason	Solution
Chair base wobbles	Floor is not flat	1) Adjust leveling feet (see page 9)
	Leveling feet are different heights	1) Adjust leveling feet (see page 9)

Warranty

- This item has a 1-year limited warranty for malfunctions and manufacture defects only (parts, labor, and shipping not included). **THIS WARRANTY IS VOID IN THE EVENT EQUIPMENT IS DAMAGED BY IMPROPER USE.**
- To read the full Warranty Policy, please visit <https://www.spaandequipment.com/Return-Warranty-Repair-Policy.html> or scan the QR code below.

Scan for
warranty

