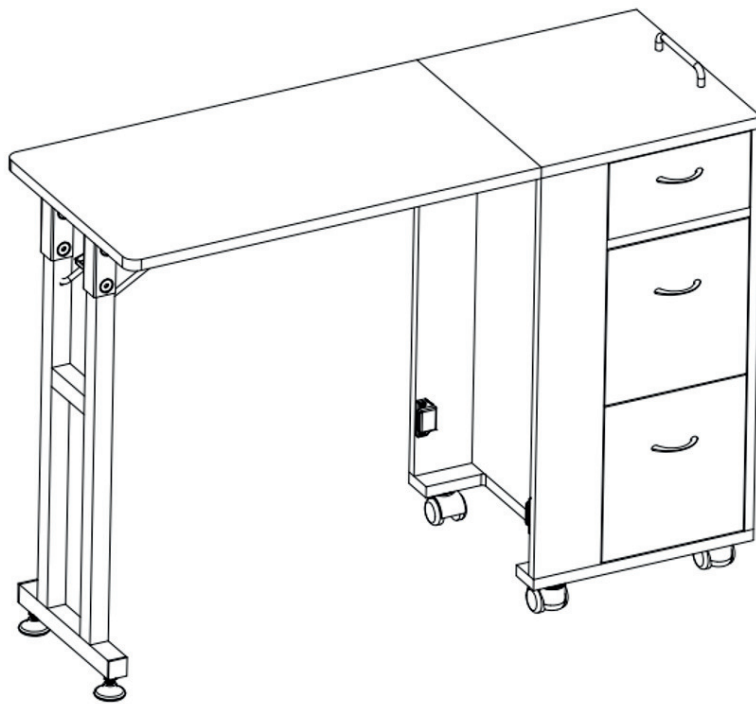


# Mato Foldable Manicure Table

User Manual



SKIN+ACT

[www.skinact.com](http://www.skinact.com) | [www.spaandequipment.com](http://www.spaandequipment.com)

Toll Free: 1.800.418.0830

# Copyright © 2025 SkinAct, All Rights Reserved

## NOTICE

No part of this document may be photocopied, reproduced, or translated into any other language without prior written consent of SkinAct.

The information in this document is subject to change without notice at any time and should not be construed as a commitment by SkinAct. SkinAct assumes no responsibility for any errors that may be in this document, nor does it make expressed or implied warranty with regard to this material, including, but not limited to, the implied warranties of merchantability and fitness for a particular purpose.

SkinAct shall not be liable for incidental or consequential damages arising out of the furnishing, performance, or use of this document and the program material which it describes.

# SKIN+ACT

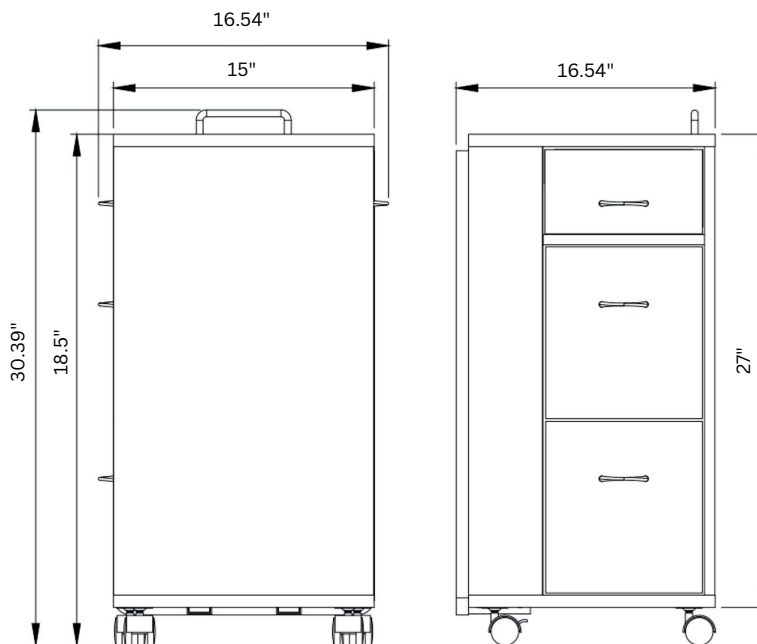
[www.skinact.com](http://www.skinact.com) | [www.spaandequipment.com](http://www.spaandequipment.com)

Toll Free: 1.800.418.0830

## Precautions:

1. Before using or adjusting this nail repair bed, please carefully read the following instructions and keep this manual safe.
2. This product cannot sit on people, cannot place heavy objects, and cannot be used as a transportation tool.
3. This product should not be used on uneven ground.
4. The product should not be used if it is not smoothly extended.
5. Children under the age of 14 and individuals with impaired consciousness are prohibited from using this product without supervision.
6. Unauthorized units or individuals are not allowed to disassemble or assemble the product at will. Please contact the local operator for repair and maintenance.

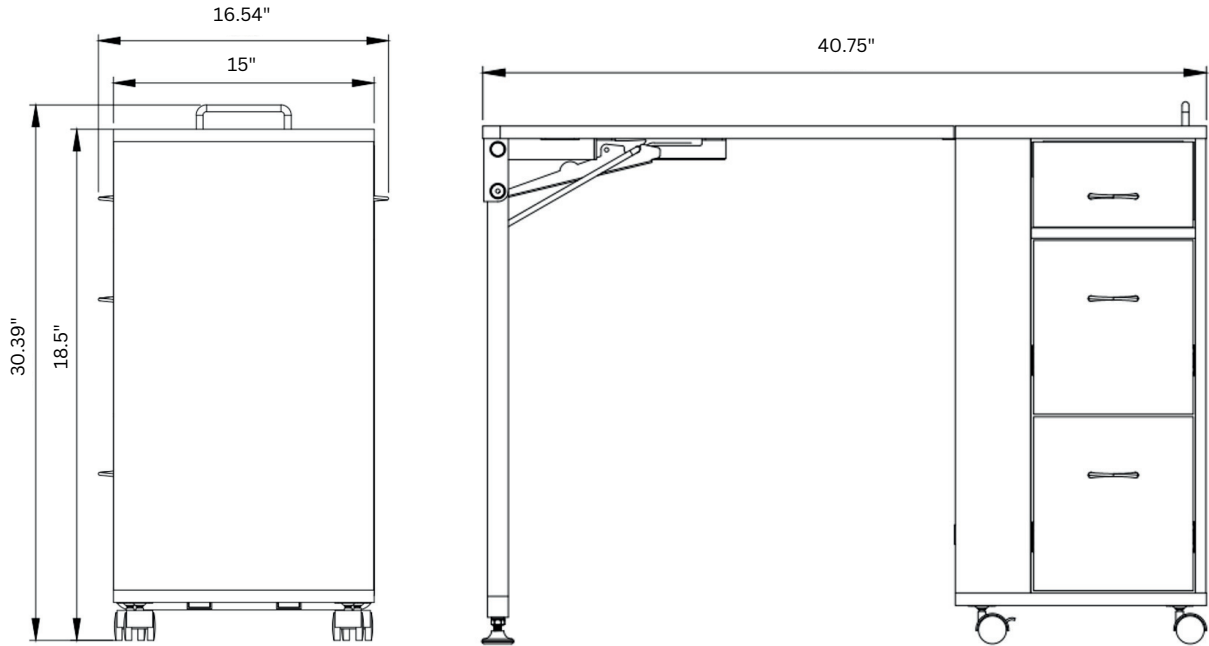
## Dimensions:



## Specifications:

- Original desktop size: 14.96 x 14.96 inches
- Desktop size after expansion: 40.75 x 14.96 inches
- Table height: 29.13 inches
- Net weight: 61.73 lbs
- Gross weight: 72.75 lbs
- Carrying capacity: 220.46 lbs
- SKU16454

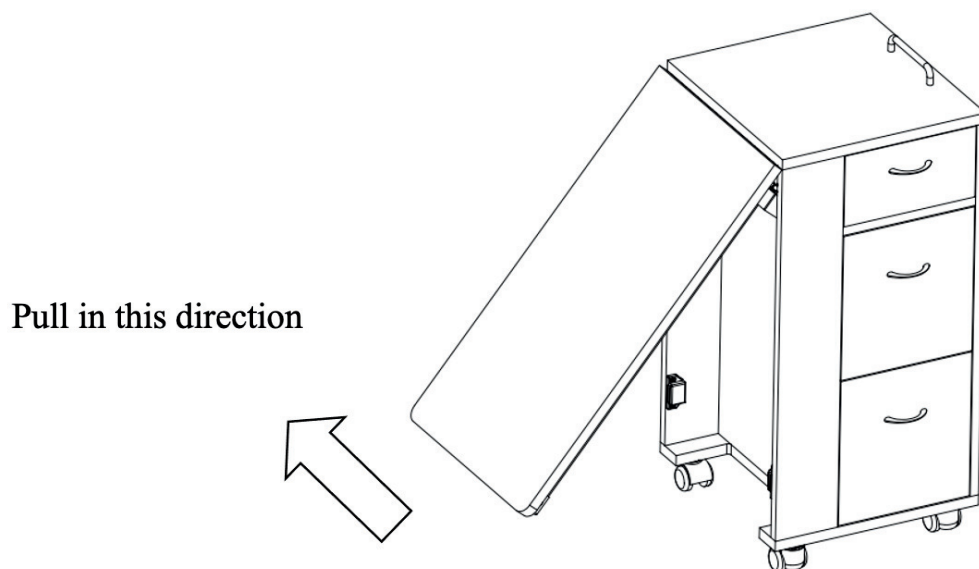
## Dimensions:



## Usage:

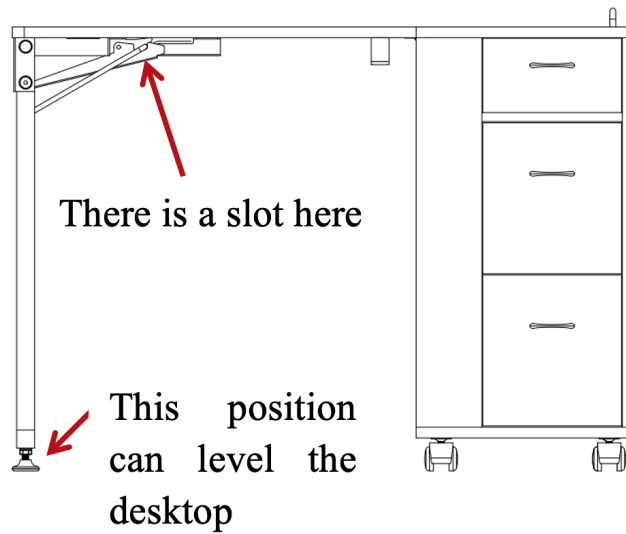
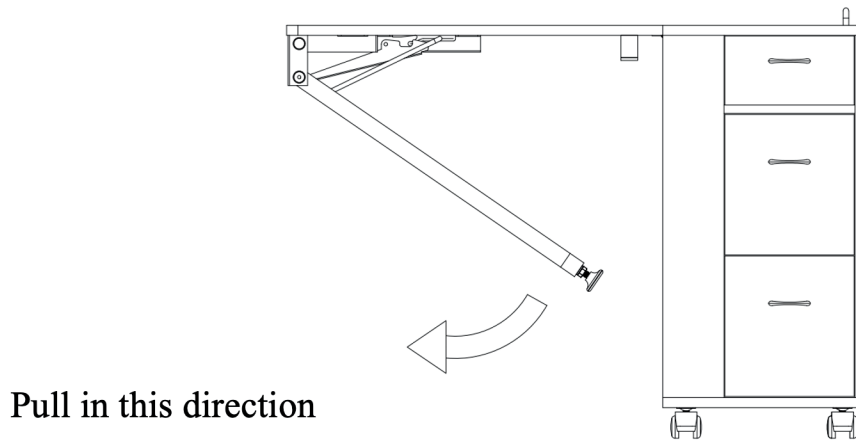
### Open the desktop:

Pull the desktop apart in a square shape as shown in the figure below until it is level. As shown in the following figure:



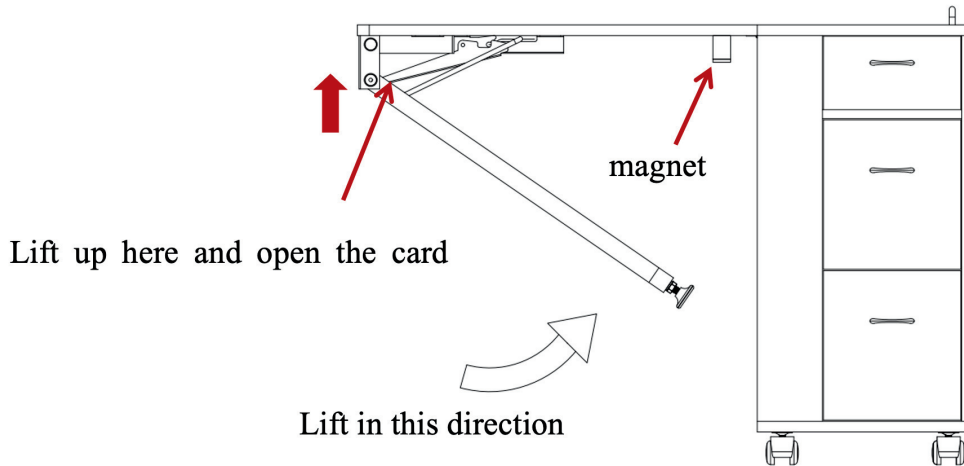
**Open the foot support:**

Pull the support foot in the direction of the arrow to a vertical position (to the card position). If the ground is uneven, the table top can be leveled by adjusting the foot screws. As shown in the following figure:



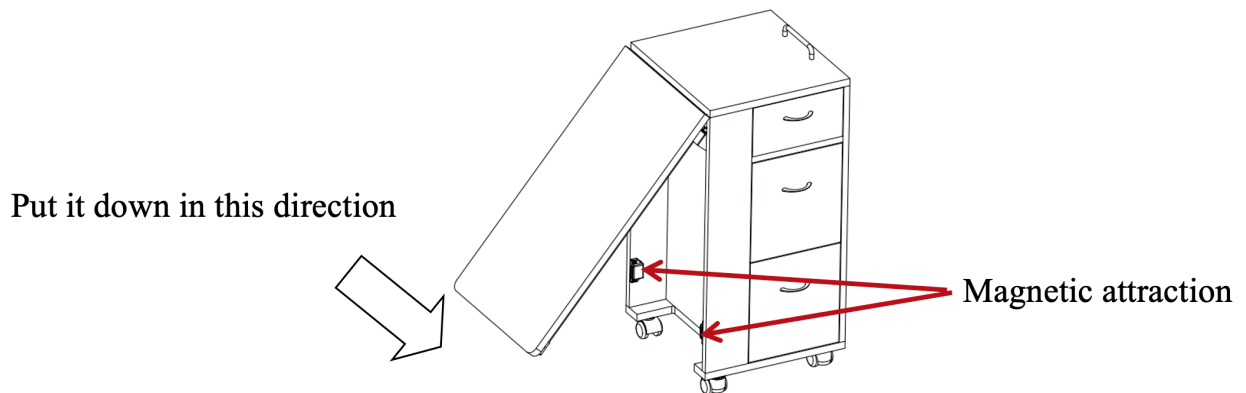
**Dismantling the desktop:**

Turn on the card switch, lift the table legs up to the magnet and tighten them. As shown in the following figure:



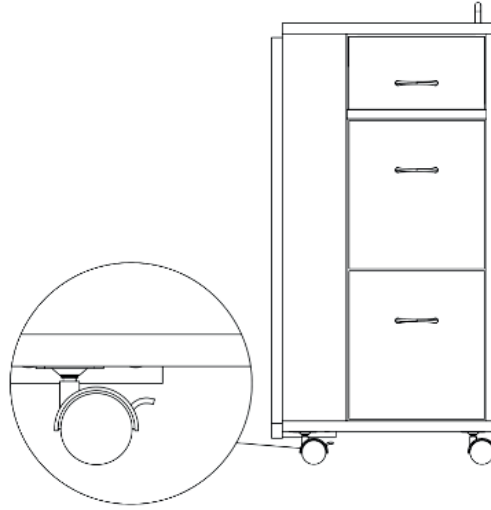
**Close the desktop:**

Simply place the desktop in the magnetic position. As shown in the following figure:



**The use of casters:**

Press down on the brake pad of the wheel to achieve the braking function. As shown in the following figure:



**Maintenance Guidelines:**

**Daily Cleaning**

- Use a soft, dry cloth to gently wipe off any dust on the product.

**Removing Stubborn Dirt**

- For tougher dirt, use a soft towel dampened with diluted neutral detergent to clean the surface.
- Afterward, wipe it dry with a clean cloth.

**Avoid Harsh Solvents**

- Do not use benzene, diluents, gasoline, or similar solvents, as they can corrode the product's surface.

**Storage and Usage Environment**

- Keep the product away from direct sunlight and high humidity to prevent damage.

**Temperature and Humidity Guidelines**

- This product is suitable for use in environments with temperatures ranging from -5°C to 50°C (23°F to 122°F) and humidity levels between 45% and 85%.

**If you encounter a malfunction while using this product, please follow these troubleshooting steps:**

Issue: The bed makes a strange noise and shakes.

Cause: A loose screw.

Solution: Tighten all screws securely.